

INSTRUCTIONS

IMPORTANT SAFEGUARDS

When using electrical equipment, basic safety precautions should always be followed including the following:

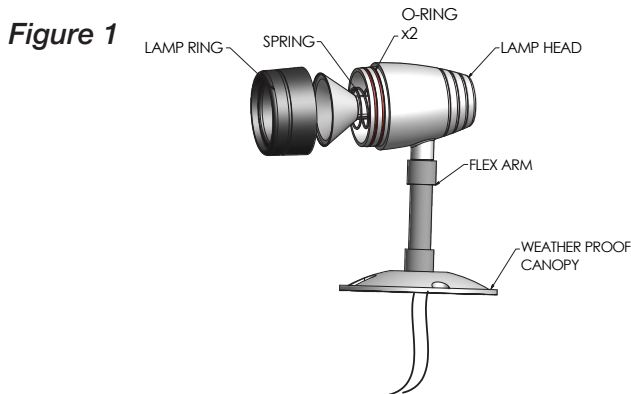
1. **READ AND FOLLOW ALL SAFETY INSTRUCTIONS**
2. Disconnect power before performing work on electrical equipment
3. Do not let power cords touch hot surfaces and do not mount near gas or electric heaters.
4. Use caution when servicing batteries. Battery acid can cause burns to skin and eyes. If acid is spilled on skin or eyes, flush with fresh water and contact a physician immediately.
5. Equipment should be mounted in locations and at heights where unauthorized personnel will not readily subject it to tampering.
6. The use of accessory equipment not recommended by BeLuce Canada Inc., may cause an unsafe condition, and will void the unit's warranty.
7. Do not use this equipment for other than its intended purpose.
8. Servicing of this equipment should be performed by qualified service personnel.
9. **CAUTION:** Halogen lamps may be used in this equipment. Dispose of lamp with care. To avoid shattering: Do not use lamp in excess of rated voltage, protect lamp against abrasion, scratches and against liquids when lamp is operating. Halogen lamps operate at high temperatures: Do not store or place flammable materials near lamp.
10. **SAVE THESE INSTRUCTIONS!**

INSTALLATION

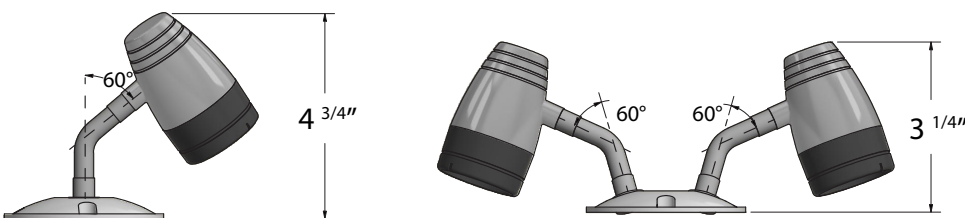
1. Carefully unpack the unit from the box.
2. The fixture is supplied complete with canopy for wall or ceiling mount.
3. Extend unswitched supply of DC voltage to junction box (supplied by others) from terminals on charger board of battery unit (if applicable) or other supply of DC voltage of 6V, 12V or 24V.
4. Make positive and negative connections inside junction box.
5. Position gasket between canopy and junction box.
6. Secure the remote head using two screw hole slots on canopy. The two screw hole slots are designed to mate with standard style junction box.
7. Restore DC power to ensure operation of remote heads. Aim lights as required.

MAINTENANCE

1. Clean lenses on a regular basis.
NOTE: The servicing of any parts should be performed by qualified service personnel only. The use of replacement parts not furnished by BeLuce Canada Inc., may cause equipment failure and will void the warranty.



To aim, move flex arm up and down as you rotate side to side



Max. bending angle is 60° from the vertical position which gives an equivalent minimum distance from the top of the lamp head to the bottom of the canopy for single head 4 3/4", for double head 3 1/4".