



# PLURALUCE SQUARE RECESSED REMOTE (PL-SQR-RMT)

## INSTRUCTIONS IMPORTANT SAFEGUARDS

When using electrical equipment, basic safety precautions should always be followed including the following:

- 1. READ AND FOLLOW ALL SAFETY INSTRUCTIONS**
2. Disconnect power before performing work on electrical equipment
3. Do not use outdoors
4. Do not let power cords touch hot surfaces and do not mount near gas or electric heaters.
5. Use caution when servicing batteries. Battery acid can cause burns to skin and eyes. If acid is spilled on skin or eyes, flush with fresh water and contact a physician immediately.
6. Equipment should be mounted in locations and at heights where unauthorized personnel will not readily subject it to tampering.
7. The use of accessory equipment not recommended by BeLuce Canada Inc., may cause an unsafe condition, and will void the unit's warranty.
8. Do not use this equipment for other than its intended purpose.
9. Servicing of this equipment should be performed by qualified service personnel.
- 10. SAVE THESE INSTRUCTIONS!**

## INSTALLATION

1. Carefully unpack the unit from the box.
2. Pull trim plate away from the backbox to expose two (2) torsion springs. Squeeze the torsion springs to release from the backbox. (Figure 1)
3. Cut a 7.5" square opening in the ceiling, install the backbox (secured with appropriately sized fasteners supplied by others) and ensure that at least one side of the backbox is secured to a ceiling stud/support by two screws (by others).
4. Extend DC supply of rated voltage from a nearby junction box (supplied by others) installed in accordance with all applicable codes and standards. This circuit should NOT be energized/live at this time.
5. Remove an appropriate knockout in the back box for the DC wiring. Insert the DC circuit wires into the removed knockout of the unit using an approved strain relief (not supplied). Leave at least 8 inches of slack wire at the end of the circuit.
6. Make proper wiring connections between the DC supply and the unit's input: YELLOW - "+"; PURPLE - "-". Connect ground (from the unit and backbox) to supplied green ground wire in accordance with local codes. Reassemble all wire connections and connectors.
7. Hold the trim assembly up to the installed backbox and hook one of the torsion springs into one of the internal tabs.
8. Hook the other torsion spring into the remaining tab and push the assembly back up into the housing until secure.
9. Install the appropriate lens on the cover. Light distribution can be changed by using a different lens. See page 3.
10. Energize power to fixture.

Figure 1

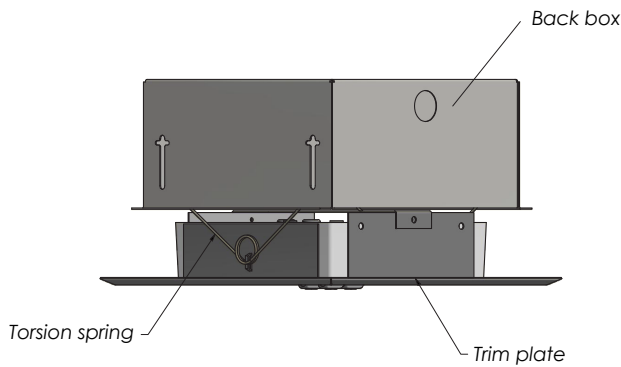


Figure 2

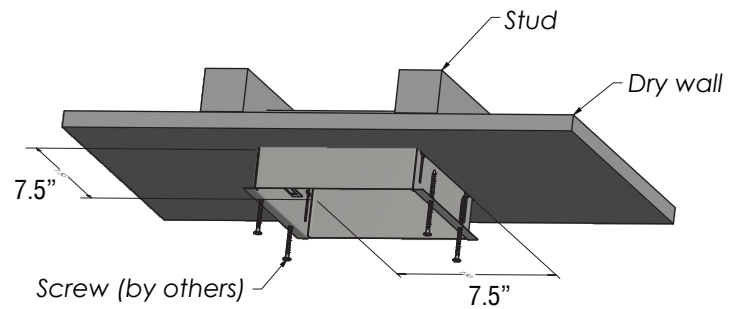
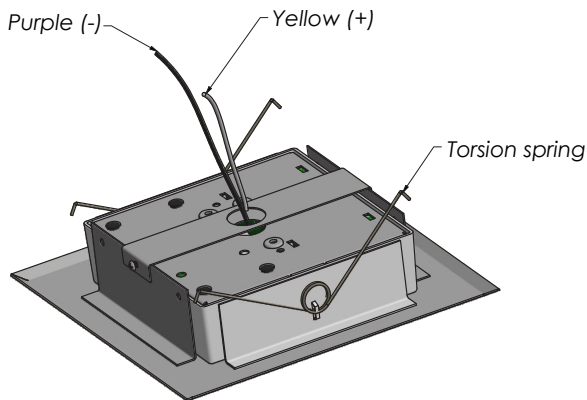


Figure 3



## MAINTENANCE

1. Code requires that the equipment be tested every 30 days for 30 seconds, and that written records be maintained. Further, the equipment is to be tested once a year for the required duration as per Code. The battery is to be replaced or the equipment repaired whenever the equipment fails to operate as intended during the duration test. Written records of test results and any repairs made must be maintained. Beluce Canada Inc. strongly recommends compliance with all Code requirements.
2. Clean lenses on a regular basis.  
NOTE: The servicing of any parts should be performed by qualified service personnel only. The use of replacement parts not furnished by Beluce Canada Inc., may cause equipment failure and will void the warranty.

## TROUBLESHOOTING

EMERGENCY LAMP DOES NOT COME ON AT ALL

1. Check polarity - purple (+), yellow (-)

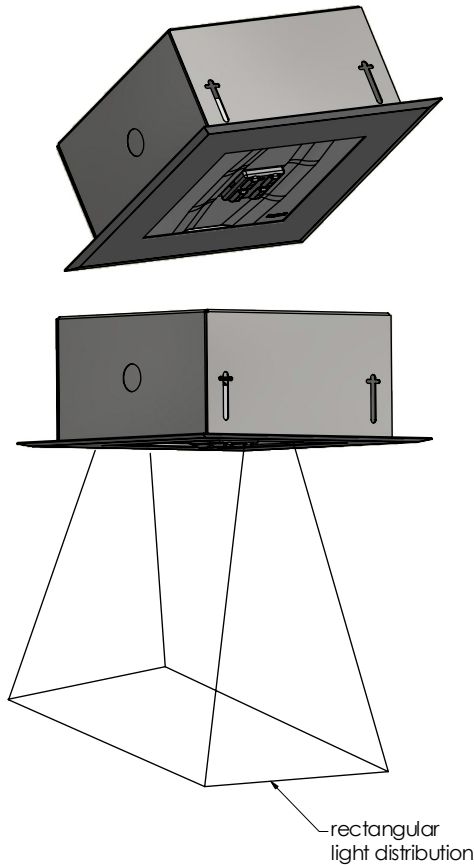
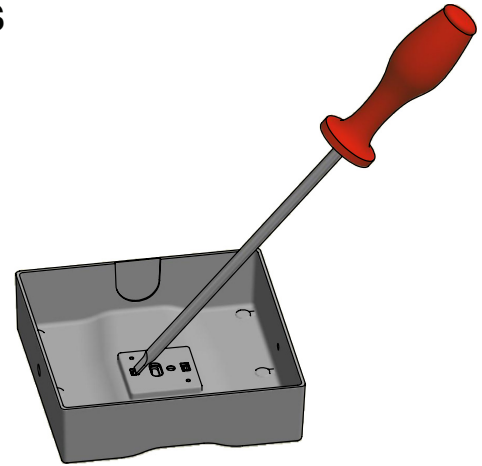
## SAVE THESE INSTRUCTIONS

## INSTALLING NEW LENS

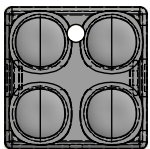
When installing a new lens, insert the bigger hook into one side of the LED board first, then gently slide and push down the lens towards the opposite side until it latches into the smaller slot with a click.

## CHANGING THE LENS

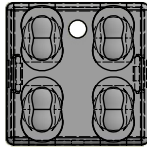
1. Unscrew the cover from the fixture, flip over the cover.
2. Push the hook on the lens with a small thin tip flat screw driver to release the lens from the cover.
3. Once one side hook released from the cover, then push back the lens gently to release the other side hook from the cover.
4. Replace new lens on with the right orientation.



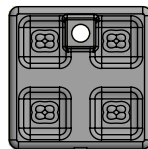
Max. mounting height is 14.5 ft to get an average illuminance above 1 fc, based on 3x3 ft room 80/50/20 reflectance.



CEILING LENS  
SQUARE  
LIGHT DISTRIBUTION



CEILING LENS  
RECTANGULAR  
LIGHT DISTRIBUTION



WALL MOUNT LENS

## SAVE THESE INSTRUCTIONS