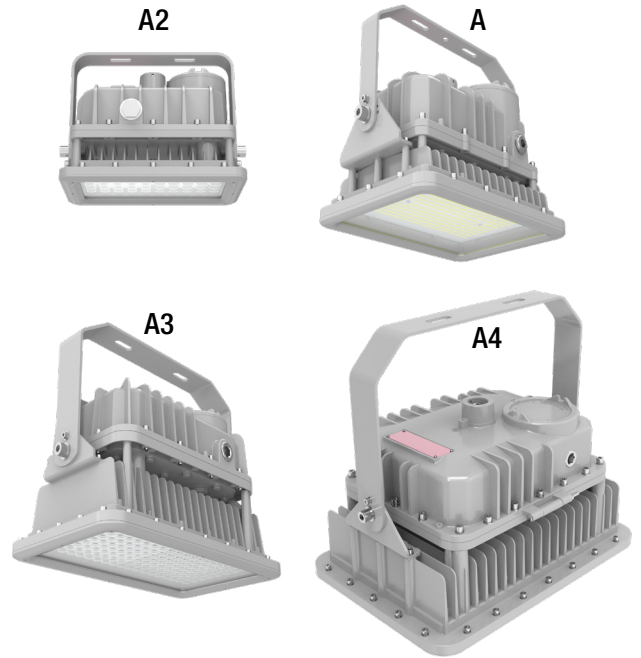


## HAZ-X A

HAZARDOUS LOCATION LED FLOOD

- HZX-EX-A2:  
20W/25W/30W/35W/40W/50W/60W/70W  
Selectable: 30W/40W/60W
- HZX-EX-A:  
20W/40W/60W/80W/100W/120W/150W  
Selectable: 40W/60W/80W or 60W/80W/100W
- HZX-EX-A3:  
60W/80W/100W/120W/150W/180W/200W/240W  
Selectable: 100W/120W/150W or 120W/150W/200W
- HZX-EX-A4:  
150W/180W/200W/250W/300W/350W/400W/500W  
Selectable: 200W/250W/300W



EACH MODEL NUMBER CONSISTS OF THE FOLLOWING:  
SERIES / OPERATION / COLOUR TEMPERATURE / INPUT

<b>SERIES</b>	HZX-EX-A2, HZX-EX-A, HZX-EX-A3, HZX-EX-A4
<b>OPERATION</b>	AC ONLY, EMERGENCY BACKUP OPTIONAL
<b>COLOUR TEMPERATURE</b>	2000K, 3000K, 4000K, 5000K, 5700K, 6000K, 6500K, 7500K SELECTABLE: 4000K/5000K/6500K
<b>INPUT VOLTAGE</b>	120-277V, 120-347V, 200-480V



### IMPORTANT SAFEGUARDS

When using electrical equipment, basic safety precautions should always be followed including the following:

#### READ AND FOLLOW ALL SAFETY INSTRUCTIONS.

1. Read these instructions carefully before installation and save them for future reference.
2. Fixtures must be wired in accordance with the National Electrical Code and all applicable local codes. Proper grounding is required for safety.
3. This product must be installed in accordance with the applicable installation code by a qualified electrician who is familiar with the construction and operation of the product and the hazards involved. To reduce the risk of ignition of hazardous atmospheres, disconnect the luminaire from the AC supply circuit and determine that the area is free of ignitable concentration before opening. Keep tightly closed when in operation.

#### SAVE THESE INSTRUCTIONS!

#### RISK OF FIRE, ELECTRIC SHOCK OR PERSONAL INJURY

**Before installation, turn power off.**

**WARNING:** Risk of fire or electric shock. Hazardous light installation requires knowledge of luminaires and electrical systems. If not qualified, **DO NOT** try to install. Please contact an electrician.

**WARNING:** Risk of fire or electric shock. Suitable for wet locations. Make sure the power is off prior to install.

**WARNING:** Risk of fire or electric shock. Suitable for non-insulated surface and frame. **DO NOT** cover fixture with insulation liner or similar material.

**WARNING:** **DO NOT** install in unstable, loose or breakable surfaces.

**WARNING:** **DO NOT** let objects impact or exert force on the surface of the fixture.

## WARNING

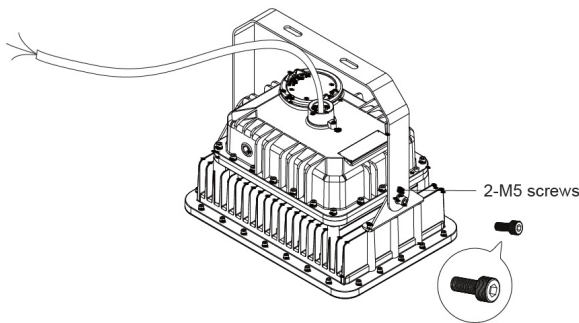
No user serviceable parts. Refer service to a qualified service technician. Read instructions prior to installing and/or operating this device. Installation should be performed by a licensed electrician/installer in accordance with local codes.

## INSTALLATION AND ELECTRICAL CONNECTION

### 1- The specific steps of installation (Ceiling mount)

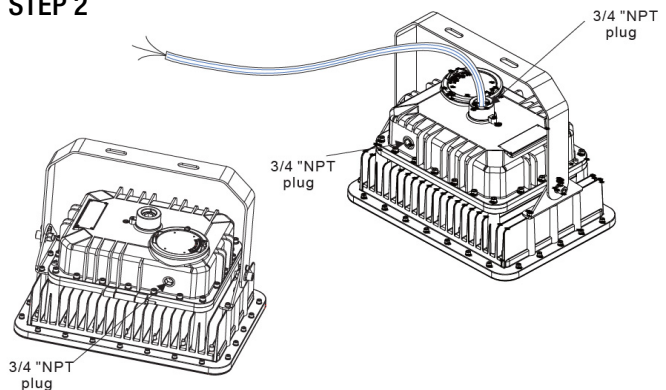
(Note: Measurements are in mm)

#### STEP 1



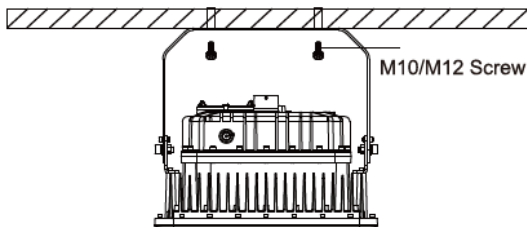
Take out the lamp and M5x20 screws from the carton. Adjust the angle as shown in the above image and tighten the screws.





#### STEP 2



Select any of the three 3/4 "NPT plugs as the interface for the conduit. Select steel pipe or cable grand as needed, fill 16mm chemical filler to the wire tube, and then fix the wire tube to the lamp body.

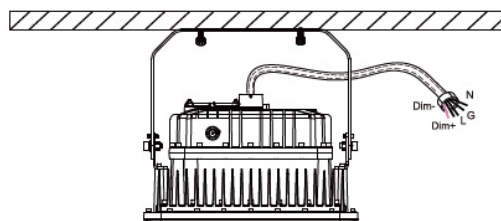
#### STEP 3



 A2: 71-121mm  
 A: 91-141mm  
 A3: 112-157mm  
 A4: 113-167mm

Drill 2x hole as shown, the distance can be 113-167mm, fixing M10 (for A and A2) or M12 (for A3 and A4) expansion screws and bracket on ceiling.

#### STEP 4

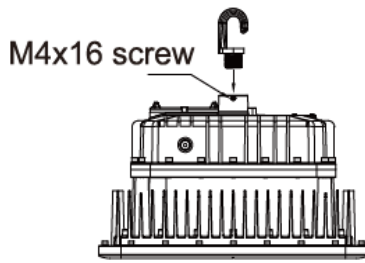



  
 L  
 N  
 G  
 Dim+  
 Dim-

Connect the AC cable to power supply. black to L, white to N, green to G, purple to Dim+, pink to Dim-.

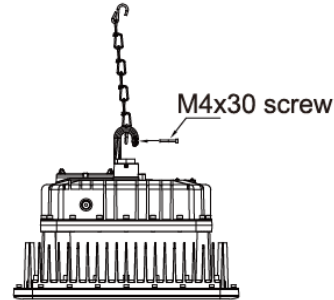
## 2- The specific steps of installation (Hook Mount)

### STEP 1



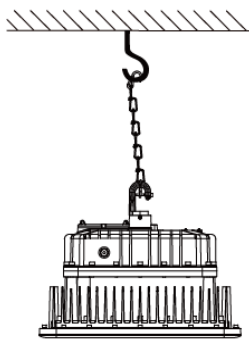
Take the lamp out of the package, and screw the hook into the 3/4NPT teeth at the top of the lamp. After tightening, fix it with M4X16 screws(not provided). The hook is made of ADC12 with a size of 91x39MM and with 3/4NPT teeth. The hook must be able to bear a lifting load of 50KG.

### STEP 2



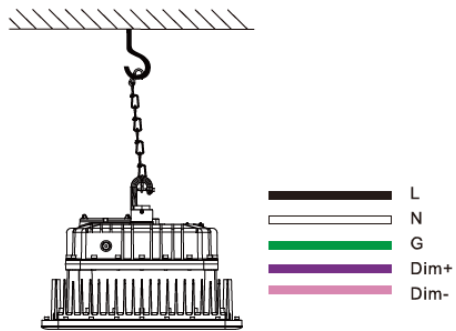
After passing the chain through the hook, screw the M4x30 screw(not provided) into the M4 threaded hole on the hook and through the chain.

### STEP 3



Hook the other end of the chain onto the user's hook.

### STEP 4

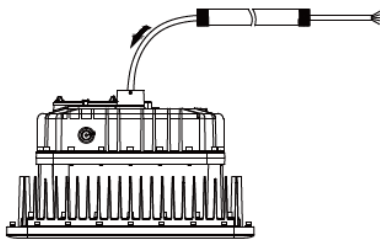


Connect the AC cable to power supply. black to L, white to N, green to G, purple to Dim+, pink to Dim-.

## 3- The specific steps of installation (Pole Mount)

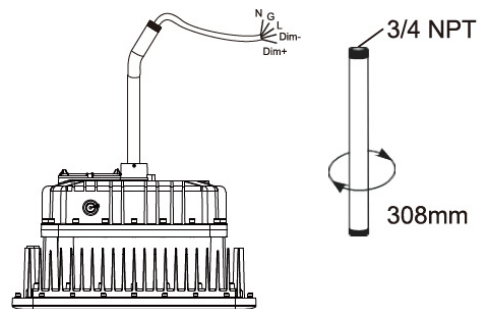
(Note: Measurements are in mm)

### STEP 1



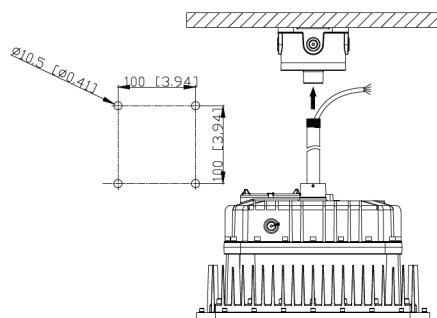
Take out the lamp and accessories from the carton box. Insert the wires into one end of the pole and draw it out from the opposite end.

### STEP 2



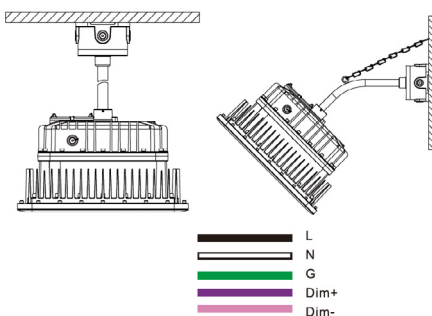
Loosen the M4 screw on the top of the lamp, screw the pole into the 3/4 NPT threaded hole on the top, and tighten the M4 screw to secure it.

### STEP 3



Install the junction box on the wall and screw the pole into the threaded hole of the junction box.

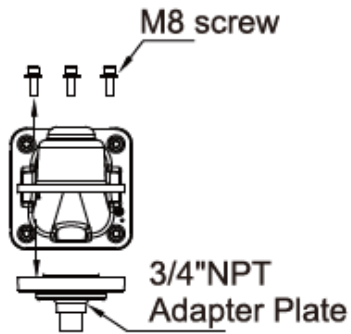
### STEP 4



Tighten the pole to the box, and adjust the chain of balance. Connect the AC cable to power supply. black to L, white to N, green to G, purple to Dim+, pink to Dim-.

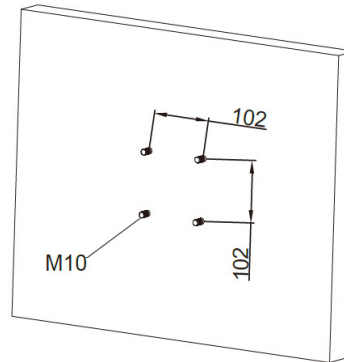
## 4- The specific steps of installation (Stanchion Mount)

### STEP 1



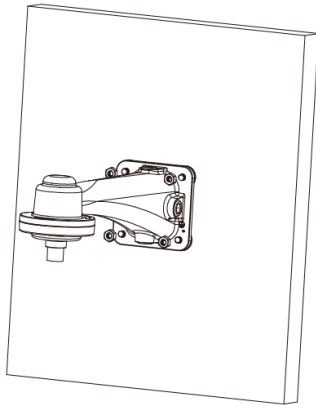
Take out the mounting bracket from the accessories, remove the M8 screws and the 3/4 NPT adapter plate.

### STEP 2



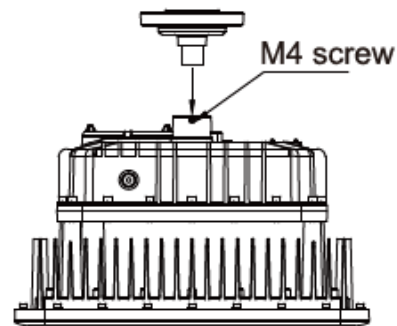
Drill four holes in the wall with a spacing of 102\*102, and drive in M10 expansion screws (not provided).

### STEP 3



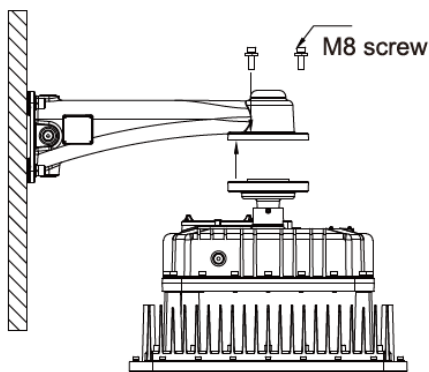
Match the bracket base hole with the installed expansion screw and tighten the nut (not provided).

### STEP 4



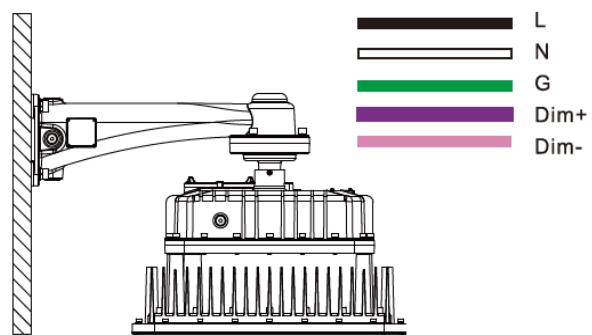
Screw the 3/4 NPT adapter plate into the lamp and secure it with M4 screws.

### STEP 5



Fix the lamp to the bracket and tighten the M8 screws.

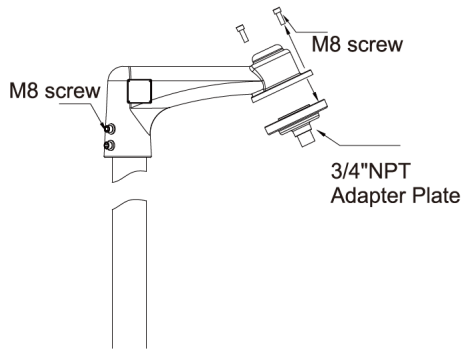
### STEP 6



Connect the AC cable to power supply, black to L, white to N, green to G, purple to Dim+, pink to Dim-.

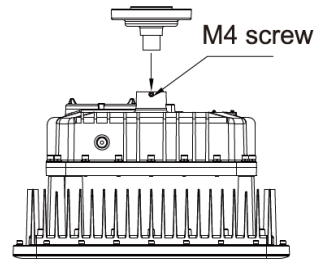
## 5- The specific steps of installation (Stanchion Mount 25° or 90°) 25° Shown

### STEP 1



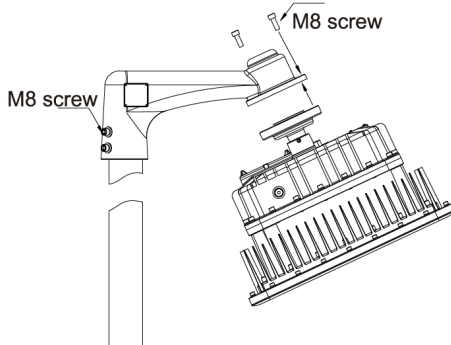
Take out the mounting bracket from the accessories, remove the M8 screws, and the 3/4 NPT adapter plate. Install the rod onto the bracket and secure it with the M8 screws.

### STEP 2



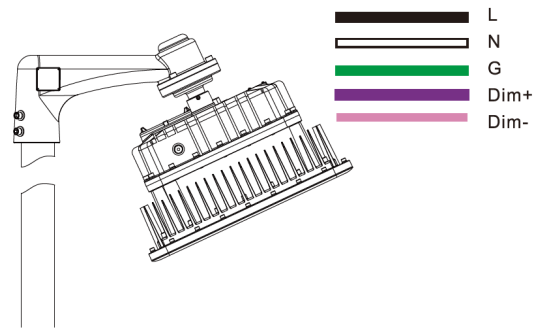
Screw the 3/4 NPT adapter plate into the lamp and secure it with the M4 screws.

### STEP 3



Fix the lamp and bracket securely, then tighten the M8 screw.

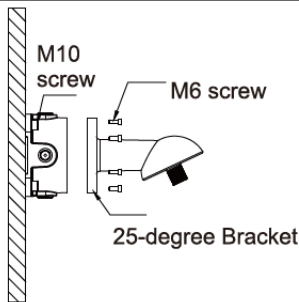
### STEP 4



Connect the AC cable to power supply. black to L, white to N, green to G, purple to Dim+, pink to Dim-.

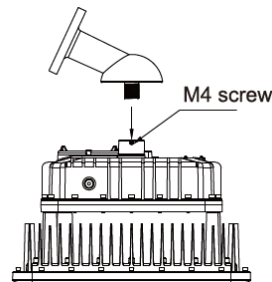
## 6- The specific steps of installation (Wall Mount with Junction Box 25° or 90°) 25° Shown

### STEP 1



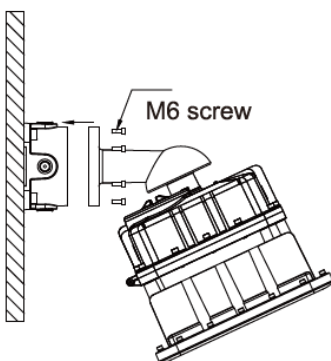
Take out the mounting bracket, unscrew the M6 screws, and remove the 25-degree bracket. Then, mount the junction box on the wall and secure it with M10 screws.

### STEP 2



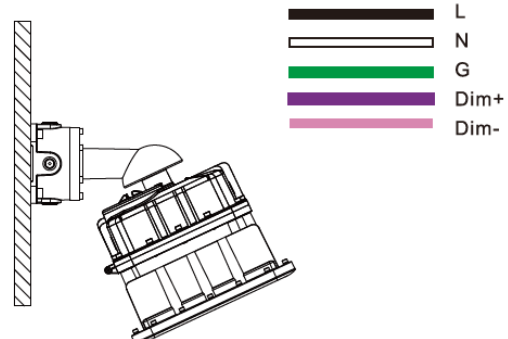
Screw the 25-degree bracket into the lamp and tighten it with the M4 screws.

### STEP 3



Fix the lamp and junction box securely, then tighten the M6 screw.

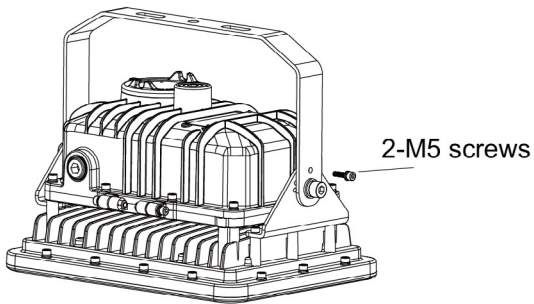
### STEP 4



Connect the AC cable to power supply. black to L, white to N, green to G, purple to Dim+, pink to Dim-.

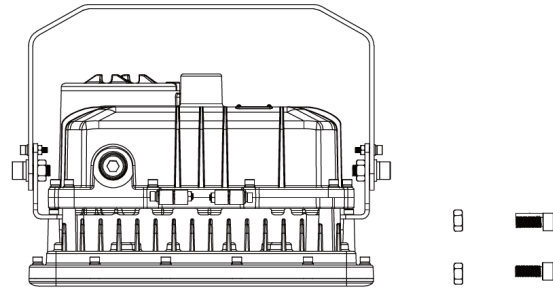
## 7- The specific steps of installation (Trunnion Mount - Only for A and A2)

### STEP 1



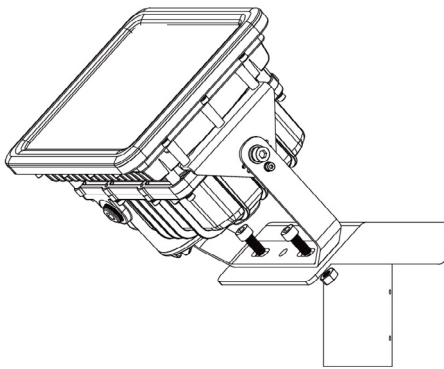
Take out the lamp and M5x20 screws from the carton. Adjust the angle as shown in image and tighten the screws.

### STEP 2



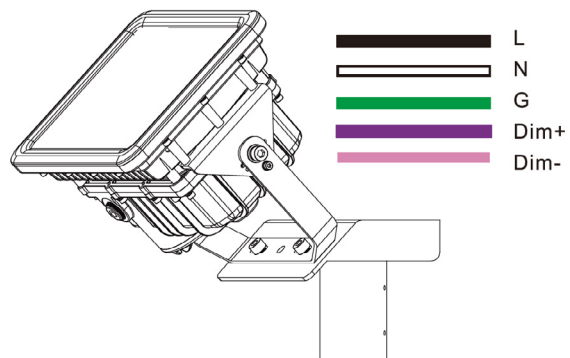
Prepare two M10x25 screws and two M10 nuts.

### STEP 3



Install the lamp and mounting bracket as shown in image. Attach the lamp to the bracket using the universal M10x25 screws and tighten the screws with a wire wrench.

### STEP 4



Connect the AC cable to power supply. black to L, white to N, green to G, purple to Dim+, pink to Dim-.