
INSTRUCTIONS

IMPORTANT SAFEGUARDS

When using electrical equipment, basic safety precautions should always be followed including the following:

- 1. READ AND FOLLOW ALL SAFETY INSTRUCTIONS**
 2. Disconnect power before performing work on electrical equipment.
 3. Do not use outdoors
 4. Do not let power cords touch hot surfaces. Do not mount near gas or electric heaters.
 5. Use caution when servicing batteries. Battery acid can cause burns to the skin and eyes. If acid is spilled on the skin or eyes, flush with fresh water and contact a physician immediately.
 6. Equipment should be mounted in locations and at heights where unauthorized personnel will not readily subject it to tampering.
 7. The use of accessory equipment is not recommended by BeLuce Canada Inc., as it may cause an unsafe condition, and will void the unit's warranty.
 8. Do not use this equipment for other than its intended purpose.
 9. Servicing of this equipment should be performed by qualified service personnel.
 - 10. SAVE THESE INSTRUCTIONS!**
-

INSTALLATION

1. Extend a 24-hour AC supply of rated voltage (see product label) to an electrical box. Leave at least eight (8) inches of slack wire. The circuit should not be energized at this time - do not energize the AC supply until indicated.
2. Remove the cover/exit assembly by grasping the backbox and pulling the cover away to expose the two (2) tension springs (Figure 1). Unhook the springs from the tabs inside the backbox to remove the cover/exit assembly (Figures 2 & 3).
3. The sign may be either recessed wall or surface ceiling mounted. Remove the appropriate wire pass-thru hole from the back, top or end of the backbox enclosure. NOTE: Wall-mounted fixtures have an EXIT faceplate with a 90-degree bend.
4. Use the backbox the mark mounting position on the wall or ceiling and cut a hole for the backbox.
5. Either attach the electrical box directly to the backbox or extend the AC supply to the backbox enclosure.
 - a) Direct Attachment: If attaching the electrical box directly, knock out the appropriate holes in the backbox, pass thru all wiring and then attached the electrical box with appropriate screws (supplied by others).
 - b) Extend Wiring: If connecting the AC supply to a nearby electrical box, extend the wiring to the backbox and feed the supply circuit wiring through the wire pass hole. Use an approved connector to fasten the AC supply to the enclosure backbox.
6. Place the backbox enclosure in the final mounting position
 - a) T-Bar Mount: Install the two T-Bar mounting brackets to the back box using the nuts and screw supplied. Slide the T-Bar Hanger Bars to match the width of the T-Bar channels (Figure 5).
Note: T-Bar is designed to span 24" tile width. A mounting bracket can be installed either on or at the end of the Backbox to change orientation (Figure 6).
 - b) Plaster Ceilings and Walls: Adjust the Mounting Bracket position to compensate for ceiling/wall thickness. (Figure 6). Turn the Backbox back to 90° and place it in the ceiling or wall (Figure 7). Return the Backbox to the original angle and adjust the edges to the plaster against the ceiling or wall.
Refer to Figure 8 for Side Mount (End) applications.
7. Secure the backbox into place.
8. Hold the cover/exit assembly up to the installed backbox and hook one of the tension springs into one of the internal tabs (Figures 2 & 3).
9. Connect the AC supply per the diagram provided (Figure 4). Insulate unused wire! **CAUTION! - Failure to insulate unused wire may result in a shock hazard or unsafe condition as well as equipment failure.**
10. Hook the other tension spring into the remaining tab and push the assembly back up into the housing until secure.
11. Energize power to the fixture. The LEDs board inside will light and the EXIT faceplate will now be illuminated.

SELF-POWERED:

1. For models GDE-SP, plug the battery into the circuit board per (Figure 4) self-powered sign.
-

MAINTENANCE

1. BeLuce Canada Inc. recommends that the equipment be tested and a record is kept following the applicable building code(s).
The equipment must be repaired if it does not operate as intended for the duration of the test.
 2. The lamps listed herein when used according to the instructions with this unit are following the requirements of the CSA Standard C22.2, No. 141 – Unit Equipment for Emergency Lighting.
NOTE: Refer to the unit's CSA Label for replacement Lamp(s) and Battery model numbers to comply with CSA Emergency Standards.
 3. Clean the panels/lenses regularly to ensure the sign remains legible.
NOTE: Always switch off the AC supply before servicing the unit. Maintenance and repair must be carried out by qualified service personnel. The use of replacement parts from a manufacturer other than BeLuce Canada Inc. may cause premature failure of the equipment, or damage to the unit and will void any warranty.
-

Figure 1

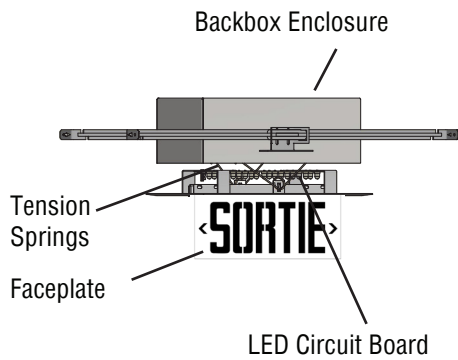


Figure 2

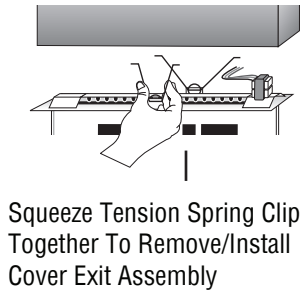


Figure 3

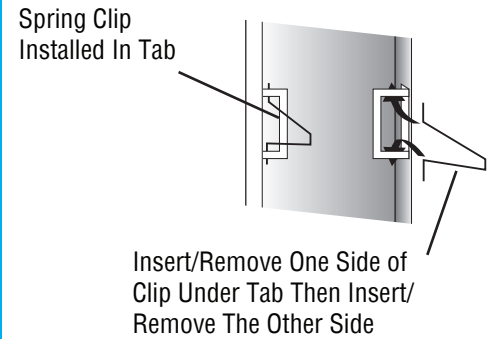


Figure 4

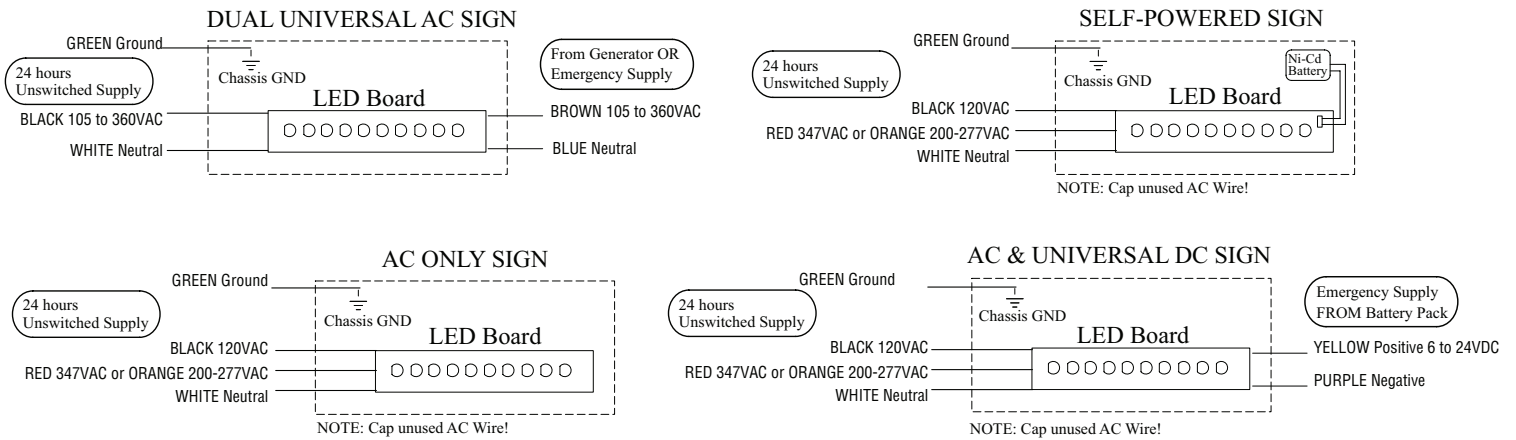


Figure 5

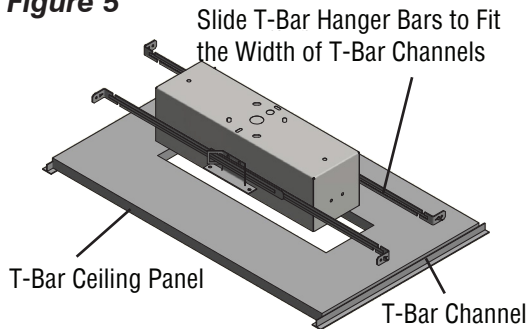


Figure 6

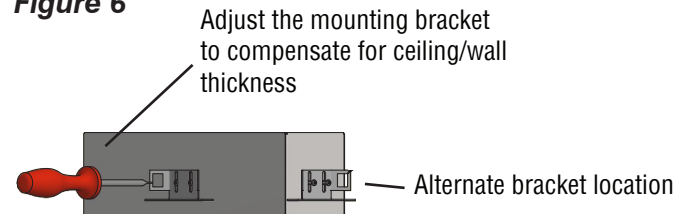


Figure 7

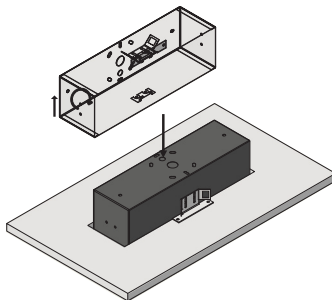
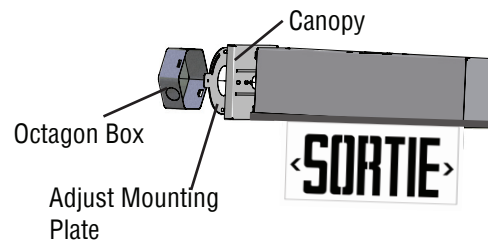


Figure 8



TROUBLESHOOTING

EXIT SIGN DOES NOT COME ON AT ALL

1. Check AC supply - be sure unit has 24 hour AC supply (unswitched).
2. AC supply is OK and indicator light is out, replace PC Board Assembly.
3. This could be the result of a switched AC supply to the unit (which has been turned off at some point).

SAVE THESE INSTRUCTIONS

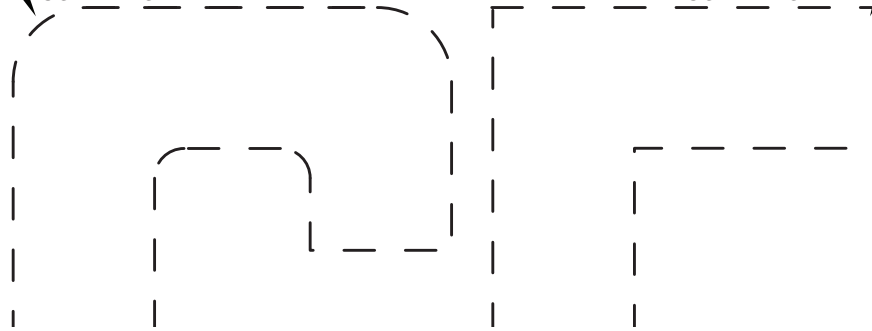
— — — CHEVRON PLACEMENT TEMPLATE — — —

REFERENCE
POINT
SORTIE

PLACE TEMPLATE ON SIGN FACE
ALIGN TO THE TOP LEFT HAND
CORNER OF "S"

PLACE TEMPLATE ON SIGN FACE
ALIGN TO THE TOP RIGHT HAND
CORNER OF "E"

REFERENCE
POINT
SORTIE**E**



****ATTENTION: ONLY USE ONE ARROW PER DIRECTION****

