

CASTEX 3

CAS-3

EACH MODEL NUMBER CONSISTS OF THE FOLLOWING:
 SERIES / LUMENS / WATTAGE / VOLTAGE / WET LOCATION /
 IMPACT RATING / WEIGHT / DIMENSION

SERIES:	CAS-3
LUMENS:	6 750 – 9 750LM
WATTAGE:	120-277 V: 45 - 65W 347 V: 40 - 60W
VOLTAGE:	120-277V OR 347V
WET LOCATION:	IP66
VIBRATION RESISTANCE:	5G
IMPACT RATING:	IK07, IK08
WEIGHT:	9.26LBS
DIMENSION:	10.3 X 6.1'



WARNING

No user serviceable parts. Refer service to a qualified service technician. Read instructions prior to installing and/or operating this device. Installation should be performed by a licensed electrician/installer in accordance with local codes.

IMPORTANT SAFEGUARDS

To reduce the risk of death, personal injury or property damage from fire, electric shock, falling parts, cuts/abrasions and other hazards, please read all warnings and instructions included with and on the fixture box and all fixture labels. Before installing, servicing, or performing routine maintenance upon this equipment, please follow these general precautions:

1. Commercial installation, service and maintenance of luminaires should be performed by a qualified licensed electrician.
2. **DO NOT INSTALL DAMAGED PRODUCT!**
3. This fixture is intended to be connected to a properly installed and grounded UL listed junction box.
4. Make sure that the supply voltage is the same as the luminaire voltage.
5. Do not install where the marked operating temperatures exceed the ignition temperatures of the hazardous atmosphere.
6. Do not operate in ambient temperatures above those indicated on the luminaire nameplate.
7. All gasket seals must be clean and undamaged.

WARNING: RISK OF ELECTRICAL SHOCK

1. Turn off electrical power at fuse or circuit breaker box before wiring fixture to the power supply.
2. Turn off the power when you perform any maintenance.
3. Verify that supply voltage is correct by comparing it with the luminaire label information.
4. Make all electrical and grounded connections in accordance with the National Electrical Code and any applicable local code requirements.
5. All wiring connections should be capped with UL approved wire connectors.
6. Luminaire must be supplied by a wiring system with an equipment grounding conductor.

CAUTION: RISK OF INJURY

1. Wear gloves and safety glasses at all times when removing luminaire from carton, installing, servicing or performing maintenance.
2. Avoid direct eye exposure to the light source while it is on.
3. Account for small parts and destroy packing material, as these may be hazardous to children.

CAUTION: RISK OF FIRE

1. Keep combustible and other materials that can burn away from luminaire and lamp/lens.
2. **MIN 90°C SUPPLY CONDUCTORS.**

OPERATING CHARACTERISTIC

- Rated Voltage: 120-277 Vac or 347V, 50/60 Hz

RATED VOLTAGE	POWER	AMBIENT TEMPERATURE
100-240/277 VAC	45W	-40°C (-40°F) ~ +55°C (131°F)
	65W	
347-480 VAC	40W	-40°C (-40°F) ~ +55°C (131°F)
	60W	

This fixture is suitable for use in the following hazardous (classified) areas as defined by the National Electrical Code (NEC) and Canadian Electrical Code (CEC):

Hazardous Locations

Class I, Division 2, Groups A, B, C, D

Class II, Division 1 Groups E, F, G

Class II, Division 2 Groups F, G

Class III

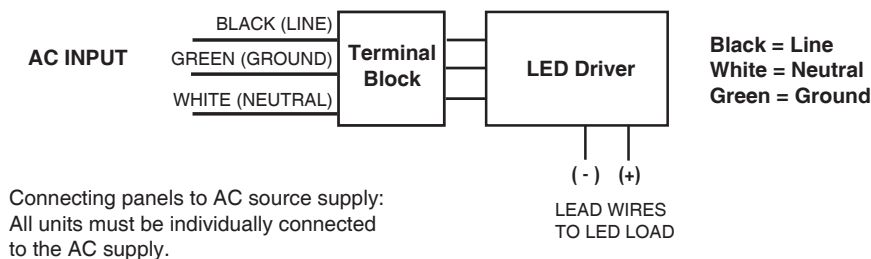
Refer to the luminaire nameplate for specific classification information, maximum ambient temperature suitability and corresponding operating temperature (T-Code).

Servicing

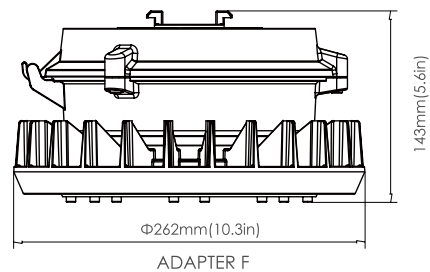
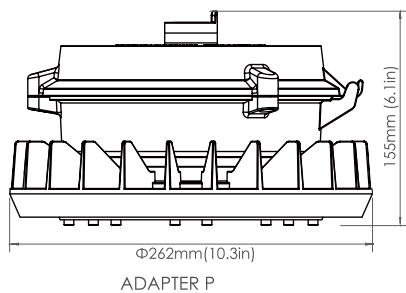
- To avoid personal injury, disconnect power to the light and allow the unit to cool down before performing maintenance.
- Perform visual, electrical, and mechanical inspections on a regular basis. The environment and frequency of use should determine this. However, it is recommended that checks should be made at least once a year. Frequency of use and environment should determine this.
- The external glass should be cleaned periodically to ensure continued luminaire performance. Clean the glass with a clean, damp, non-abrasive, lint-free cloth. If this is not sufficient, use a mild soap or a liquid cleaner. Do not use an abrasive, strong alkaline or acid cleaner as damage may occur.
- Inspect the cooling fins on the luminaire to ensure that they are free of any contamination (i.e. excessive dust build-up). Clean with a non-abrasive cloth if needed.
- Mechanically check to make sure all parts are properly assembled.
- Electrically check to make sure that all connections are clean and tight.

General Wiring Diagram

CAUTION: Turn off electrical power at fuse or circuit breaker box before wiring fixture to power supply



Dimensions



926000235

Electrical Connection

1. Loosen the three M5 Socket head cap screws with spring washers of Tank Cover with torque value 5 N-m.
2. The thread of entry hole of Tank is 3/4" NPT. Attach the Tank to suitable conduit.
3. Insert the wire from outside through the conduit and the entry hole of Tank, and then connect to Terminal Block.
4. Introduce the wires of branch circuit as following:
 - Black-wire connects to Line
 - White-wire connects to Neutral
 - Green-wire connects to Ground
5. Re-attach the Tank Cover and tight it by three M5 Socket head cap screws with spring washers with torque value 5 N-m.
6. Check the tightness of conduit and Tank Cover.

Wiring Installation

In the figure "A", the NPT 3/4" joint sealed with a pipe sealant or PTFE (Teflon) tape.

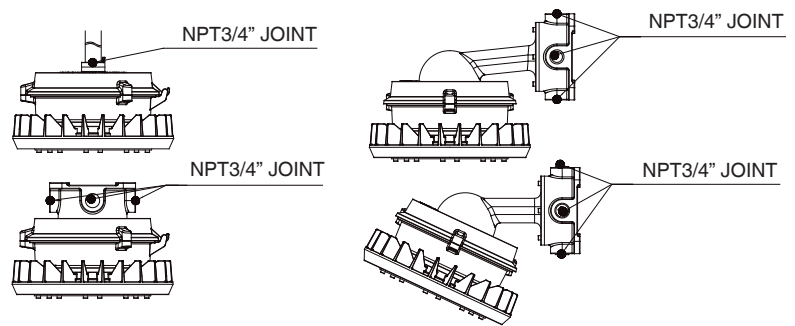
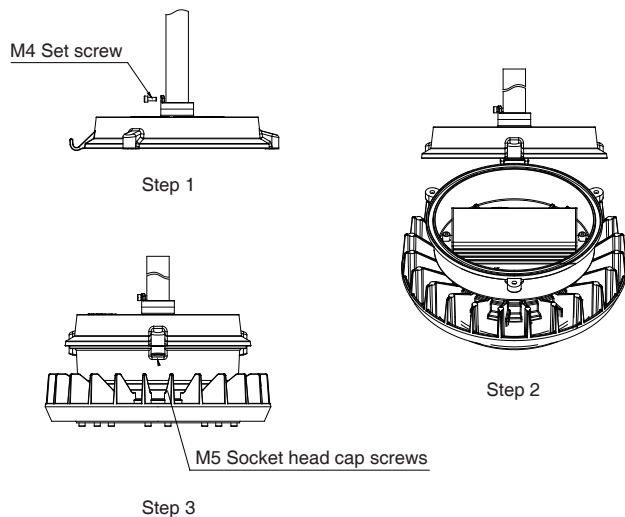


Figure A

Pendant Mount

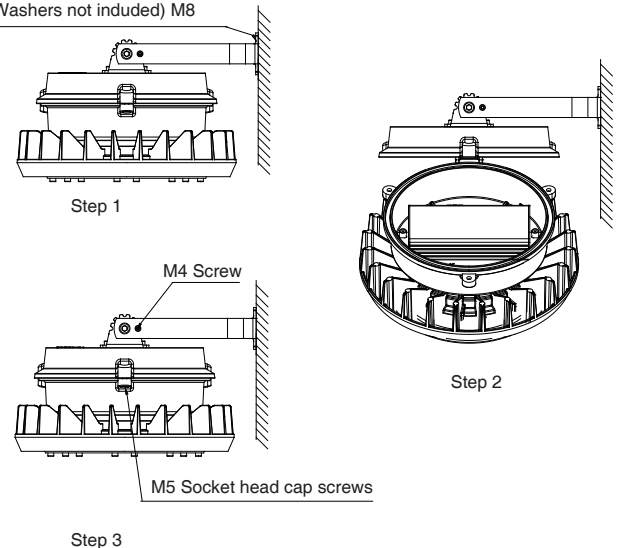
1. Fix the Tank cover on the NPT 3/4" threaded pipe then tighten M4 fastening screw.
2. Connect electrical part.
3. Use three M5 socket head cap screws to fix securely the luminaire with torque value 5 N-m.



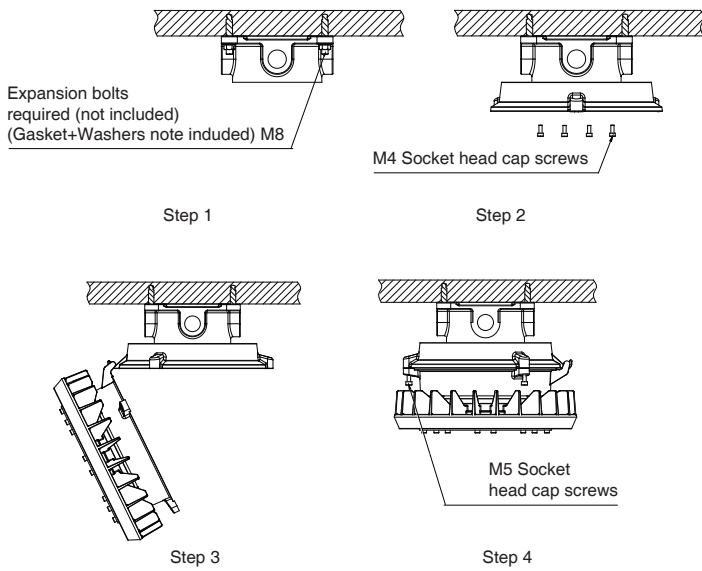
U Bracket Mount

1. Fix the Tank cover on the NPT 3/4" threaded pipe then tighten M4 fastening screw.
2. Connect electrical part.
3. Use three M5 socket head cap screws to fix securely the luminaire with torque value 5 N-m.

Expansion bolts required (not included)
(Gasket+Washers not included) M8

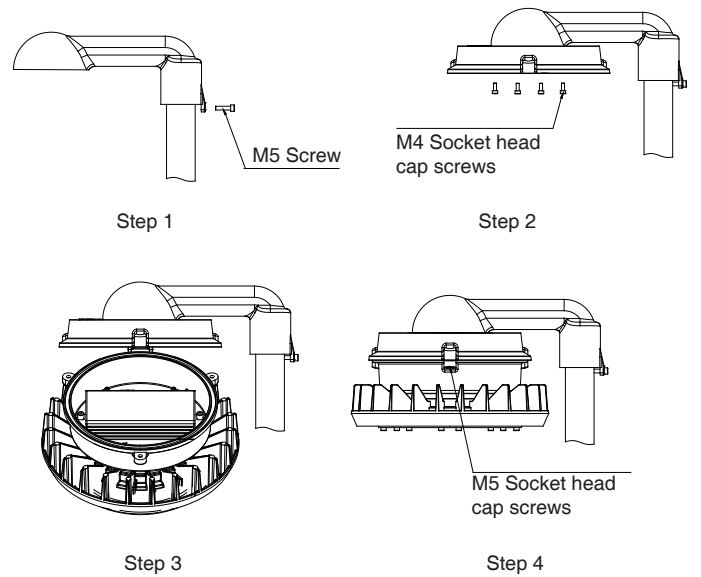


Ceiling Mount



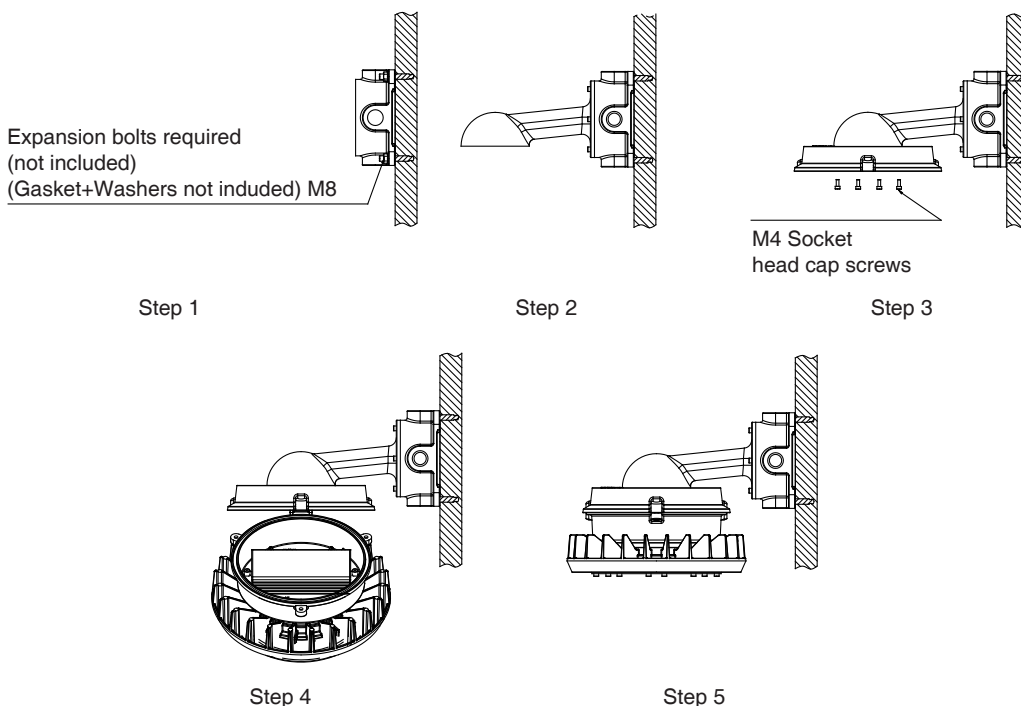
1. Use four M8 expansion bolts to fix the bracket to the ceiling.
2. Use the six M4 hexagon socket screws with torque value 3 N-m. to fix the driver cavity cover to the bracket.
3. Lights should be hung on the driver cavity cover, and connect the wires.
4. Use three M5 socket head cap screws with torque value 5 N-m to fix the fixture.

25° & 90° Stanchion Mount



1. Screw the bracket into the pole then tighten M5 fastening screws
2. Use six M4 hexagon socket screws to fix the Tank cover to the bracket with torque value 3 N-m.
3. Connect electrical part.
4. Use three M5 socket head cap screws to fix the luminaire with torque value 5 N-m

25° & 90° Wall Mount



1. Use four M8 expansion bolt to fix the bracket to the wall.
2. Use six M4 hexagon socket screws to fix bracket with torque value 3 N-m.
3. Use the six M4 hexagon socket screws to fix the driver cavity cover to the bracket with torque value 3 N-m.
4. Connect electrical part.
5. Use 3 M5 socket head cap screws to fix the luminaire with torque value 5 N-m.

SAVE THESE INSTRUCTIONS!