

BS100LX

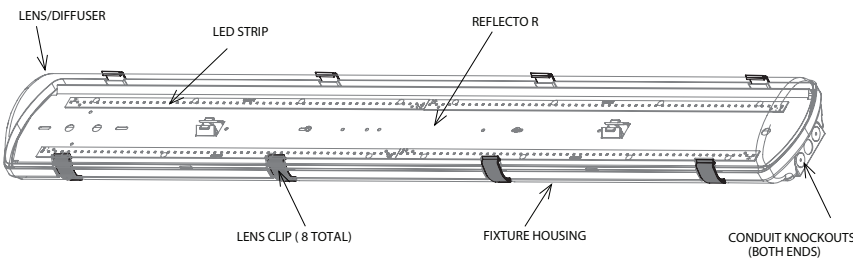


- LO, HO MODELS
- 120V to 277V or 347V INPUT
- HT
- 4FT LENGTH



IP66

IK05



EACH MODEL NUMBER CONSISTS OF THE FOLLOWING: SERIES / OPERATION / LED COLOUR TEMP. / INPUT

SERIES:	BS100LX
OPERATION:	HT
LED/COLOUR TEMPERATURE:	3K (3000K) 35K (3500K)
INPUT:	120V TO 277V OR 347V INPUT
WEIGHT:	10LBS (4.5KG)

IMPORTANT SAFEGUARDS

When using electrical equipment, basic safety precautions should always be followed including the following:

READ AND FOLLOW ALL SAFETY INSTRUCTIONS.

1. Do not let power cords touch hot surfaces.
2. Do not mount near gas or electric heaters.
3. Always mount equipment in a location that is not subjected to tampering by unauthorized personnel.
4. The use of accessory equipment not recommended by BeLuce Canada Inc., may cause an unsafe condition, and will void the warranty.
5. Do not use this equipment other than its intended purpose.
6. Servicing of this equipment should be performed by qualified service personnel.

SAVE THESE INSTRUCTIONS!

BLUC-926000547

FIRST MAKE SURE POWER IS TURNED OFF!

1. Remove diffuser / lens.
2. Remove the reflector and mounting hardware bag.
3. Install conduit fitting.
4. Securely mount the fixture hardware provided. The fixture can be snapped onto the hardware as illustrated.
5. Prepare fixture for wiring / hang reflector from internal clips.
6. Connect AC supply and ground as labeled on the provided wire leads. CAP unused wire!

WARNING

No user serviceable parts. Refer service to a qualified service technician. Read instructions prior to installing and/or operating this device. Installation should be performed by a licensed electrician/installer in accordance with local codes.

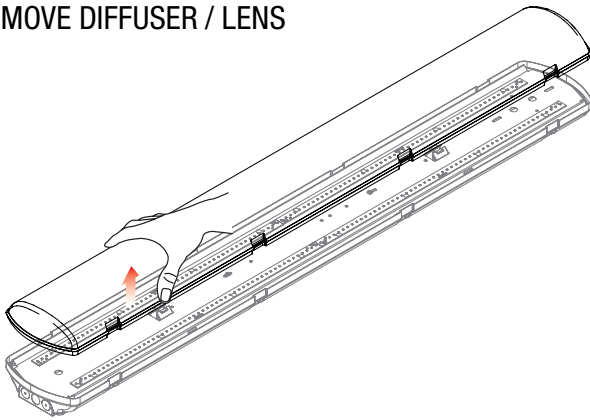
CAUTION! Failure to CAP unused wire may result in a shock hazard or unsafe condition as well as equipment failure. Route wires and secure them in place.

IMPORTANT: For the BS100LX “EM” DO NOT JOIN CONVERTER CONNECTOR UNTIL INSTALLATION IS COMPLETE AND AC POWER IS SUPPLIED TO THE EMERGENCY BACKUP REMOTE DRIVER. EM option must specify 120V or 277V.

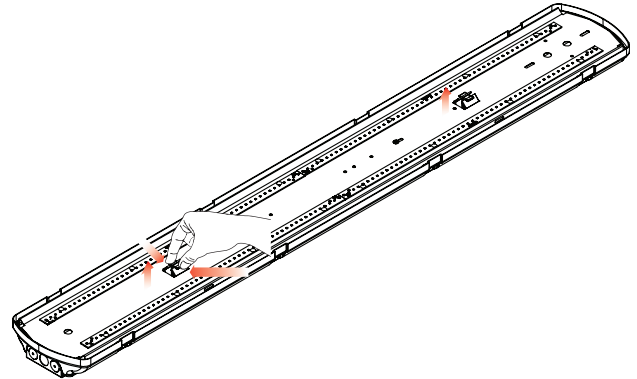
7. Insert LED reflector.
8. Ensure the reflector lip engages the tab channels on the housing before snapping the reflector in position.
9. Install diffuser clips. Reposition the diffuser/lens and snap each of the eight (8) clips into place (a “clack” sound is made).
10. Turn on AC.

SAVE THESE INSTRUCTIONS!

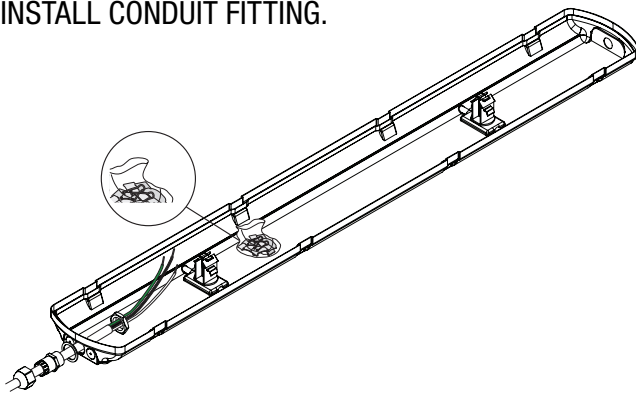
1. REMOVE DIFFUSER / LENS



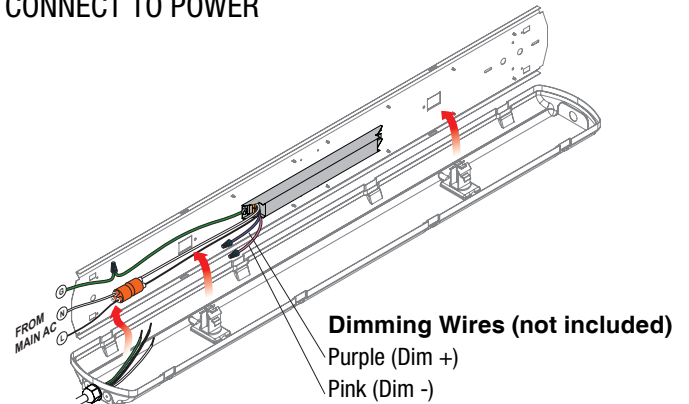
2. REMOVE LED REFLECTOR FROM HOUSING



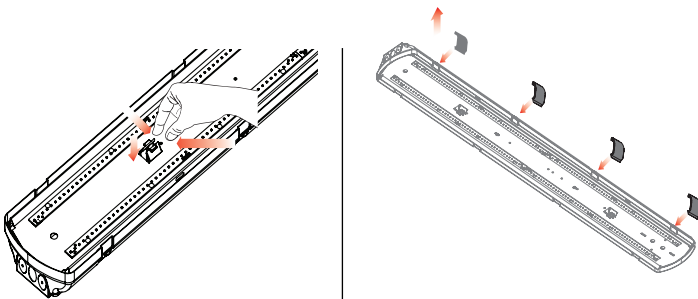
3. EXTRACT MOUNTING HARDWARE, INSTALL CONDUIT FITTING.



4. CONNECT TO POWER

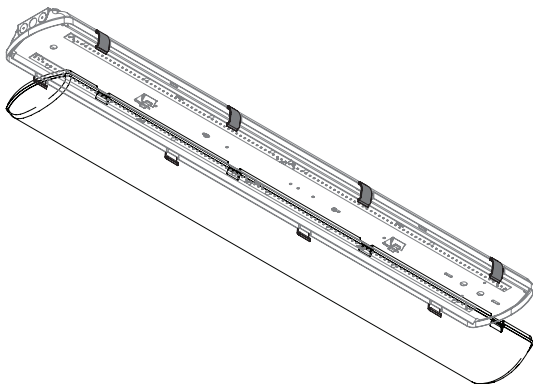


5. INSTALL LED REFLECTOR 6. INSTALL DIFFUSER CLIPS

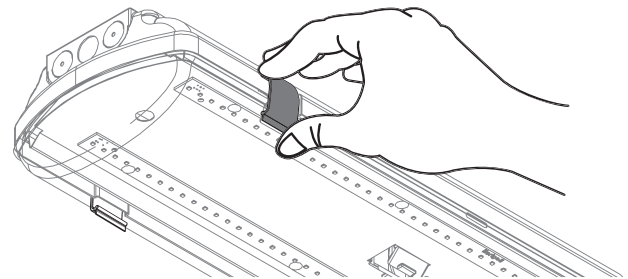


- LABELED WIRE LEADS ARE PROVIDED FOR LINE / HOT, NEUTRAL / COMMON AND GROUND.
- LABELS WILL INDICATE THE RATED INPUT VOLTAGE: 120V TO 277V OR 347V 60HZ.
- EXACT POWER SUPPLY AND WIRING CONFIGURATION MAY DIFFER FROM IMAGE ABOVE: FOLLOW ACTUAL WIRE LABELS.

7. INSTALL DIFFUSER/LENS

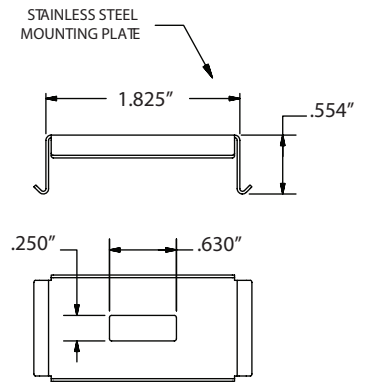
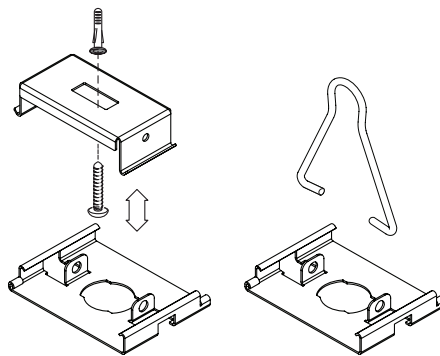
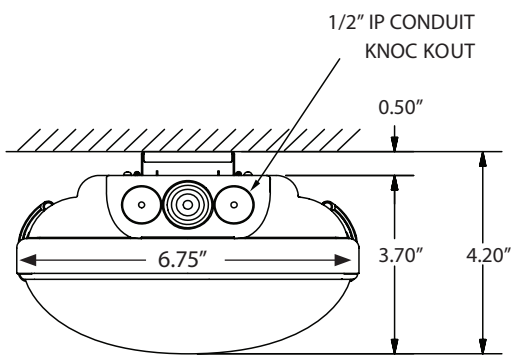
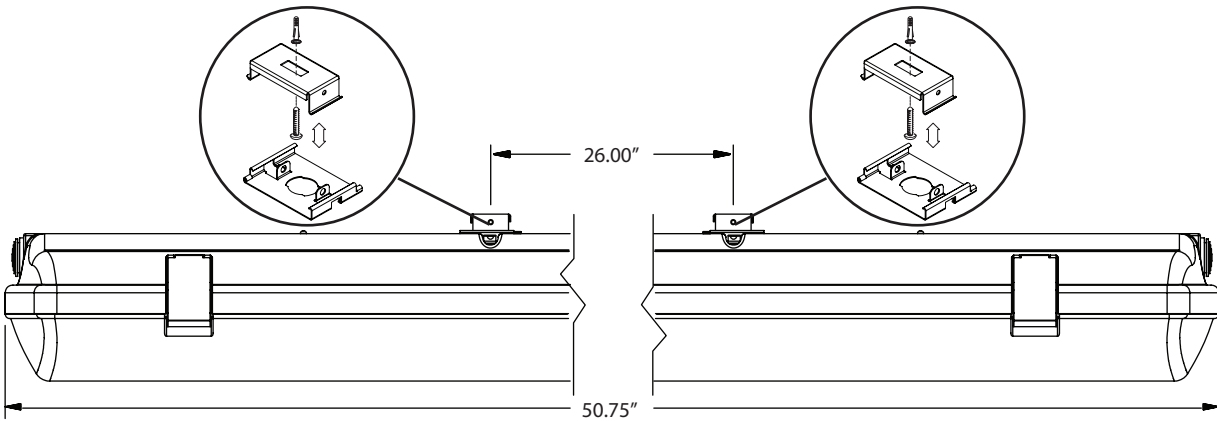


8. SECURE DIFFUSER/LENS WITH CLIPS



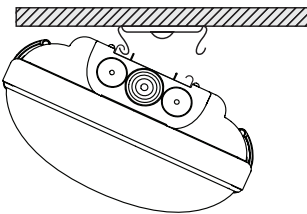
BLUC-926000547

DIMENSIONS

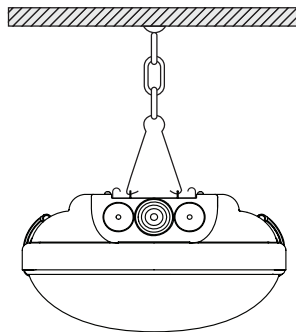


INSTALL MOUNTING HARDWARE

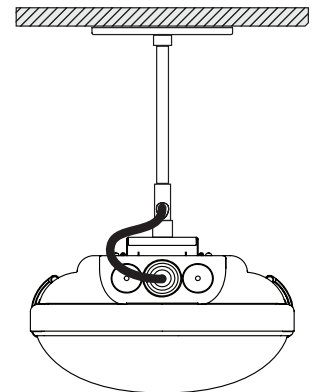
SURFACE MOUNT



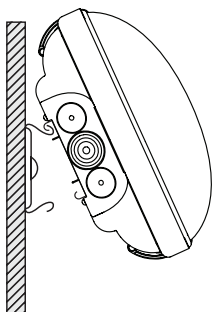
CHAIN HANG MOUNT (CH)



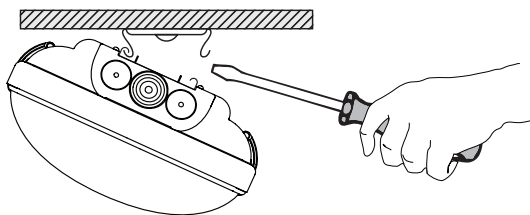
SINGLE PENDANT MOUNT (SPK)



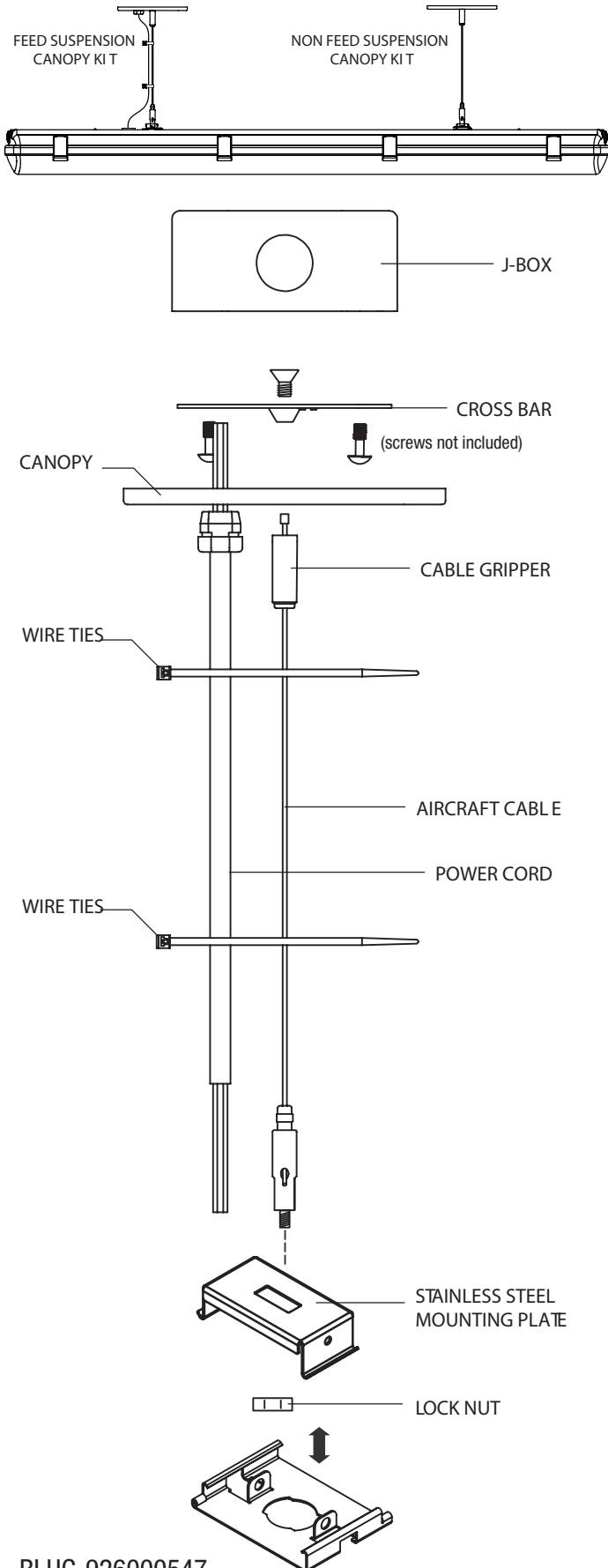
WALL MOUNT



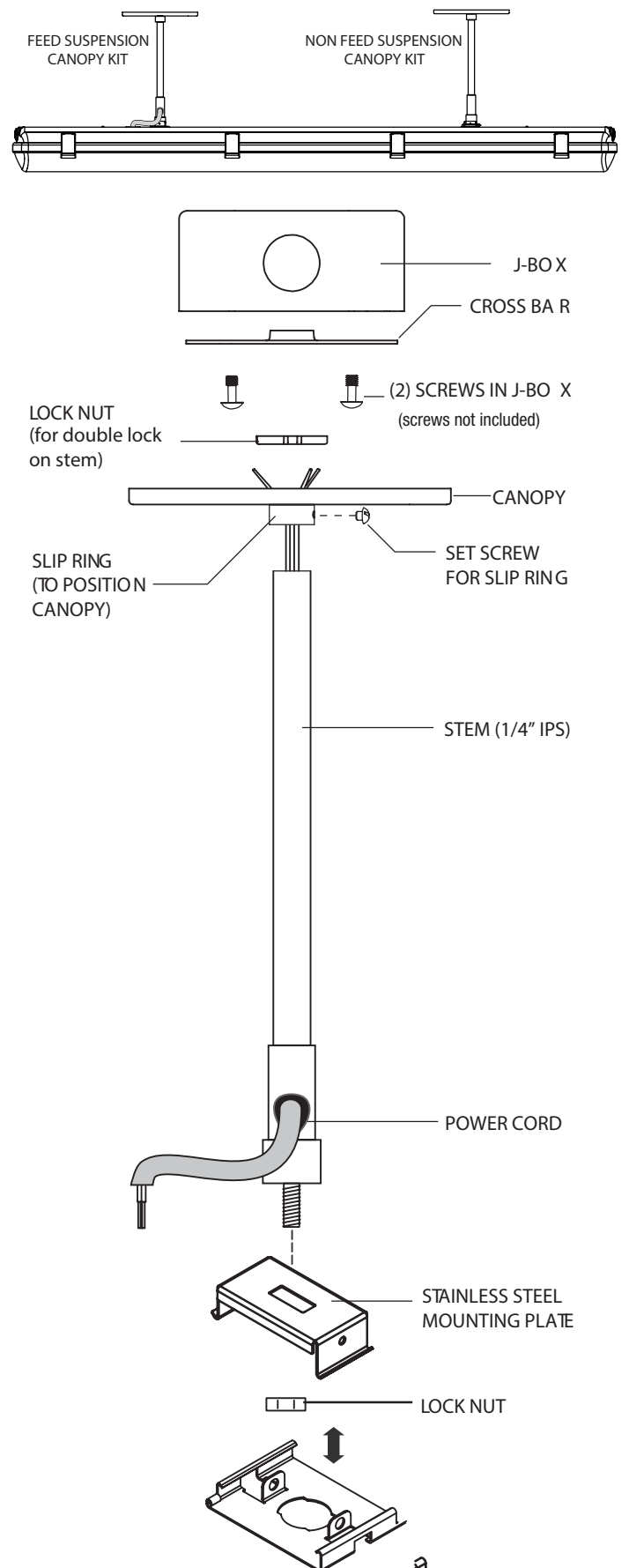
FIXTURE REMOVAL (IF NECESSARY)



AIRCRAFT CABLE MOUNTING

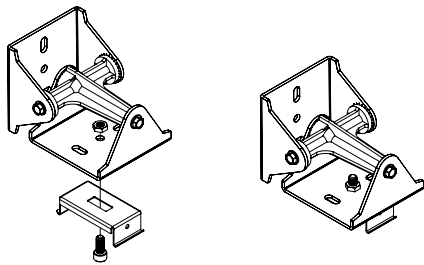


DOUBLE PENDANT MOUNTING

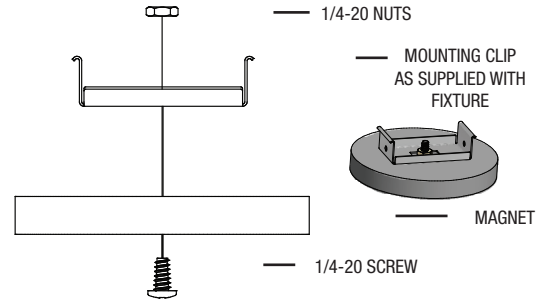


BLUC-926000547

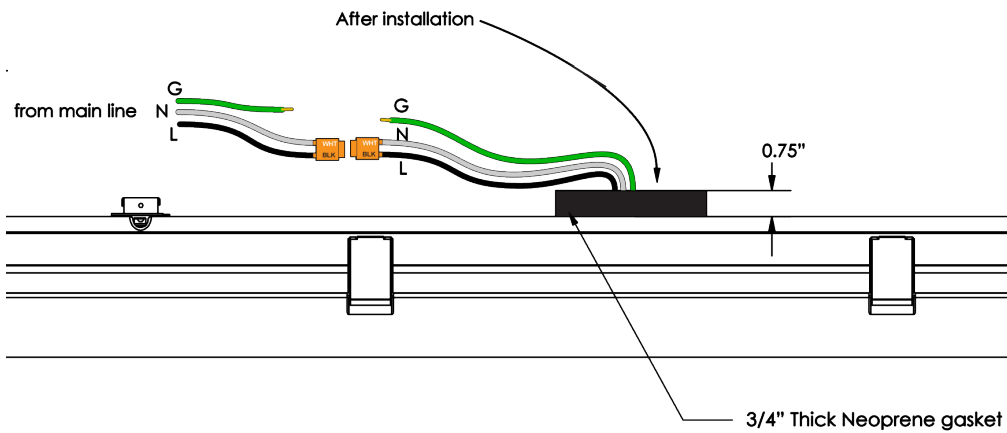
PIVOT MOUNT (PM)



MAGNETIC MOUNT (MM)

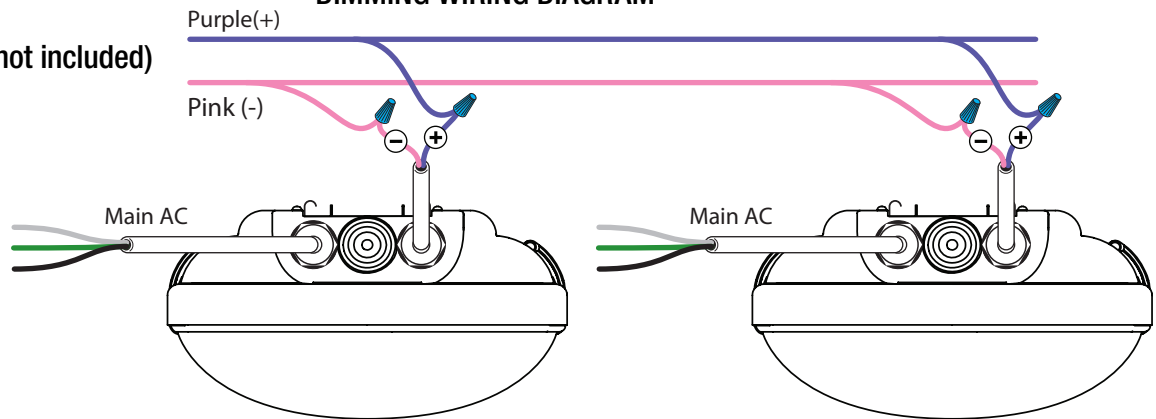


JUNCTION MOUNT (JM)



DIMMING WIRING DIAGRAM

Dimming Wires (not included)



DIMMING

0-10V WALL DIMMER.

Dims to 10%.

For dimmer switch wiring details, please refer to dimmer manufacturer's installation guide.
(Dimmer not supplied by BeLuce)

NOTE: WIRE LOCATIONS MAY VARY. REFERENCE WIRES BY COLOURS NOT LOCATION. SUPPLIED WITH 3-WIRE, 18AWG 12" LEADS ONLY.