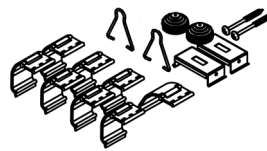
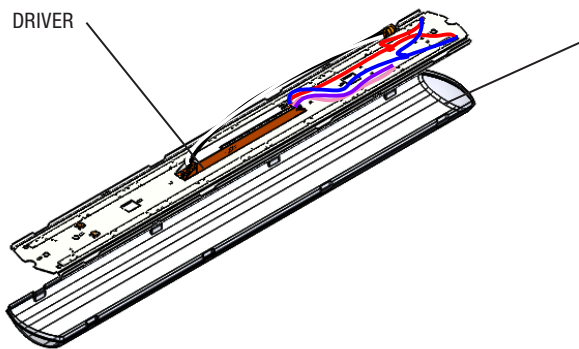
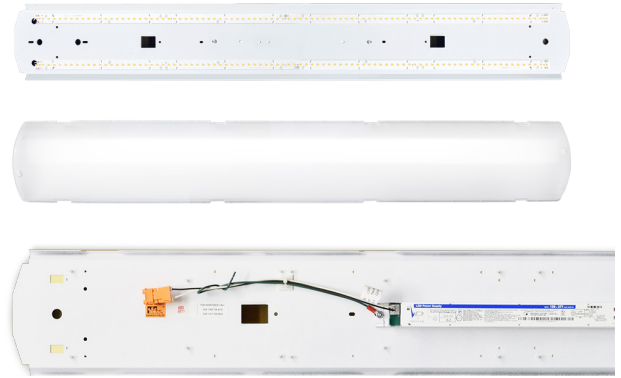


# BS100LR



**IP66 IK05**

## MODEL INFORMATION

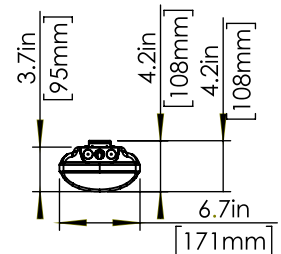
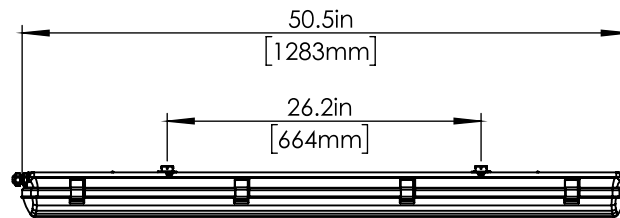


Parts come separately in a bag.

EACH MODEL NUMBER CONSISTS OF THE FOLLOWING: SERIES / OPERATION / LED COLOUR TEMP. / INPUT / WEIGHT

<b>SERIES:</b>	BS100LR (RETROFIT KIT)
<b>OPERATION:</b>	AC, SA
<b>LED/COLOUR TEMPERATURE:</b>	3K (3000K) 35K (3500K) 4K (4000K) 5K (5000K)
<b>INPUT:</b>	120V TO 277V OR 347V INPUT
<b>WEIGHT:</b>	5.4 LBS (2.5 KG)

COMPONENT:	QUANTITY:
DRIVER	X 1
DIFFUSER	X 1
LED STRIPS	X 2



## IMPORTANT SAFEGUARDS

**CAUTION! ALWAYS MAKE SURE THE POWER IS TURNED OFF** before starting installation.

When using electrical equipment, basic safety precautions should always be followed including the following:

### READ AND FOLLOW ALL SAFETY INSTRUCTIONS.

1. **CAUTION! ALWAYS MAKE SURE THE POWER IS TURNED OFF** before starting installation.
2. Measure, locate fixture's position, and mark locations for the brackets.
3. Secure brackets to ceiling as shown below. (HARDWARE BY OTHERS)
4. Wiring fixture to power supply, shall be performed by a **certified electrician**, and wired in a manner that complies with all local and national electrical codes, as well as the manufacture's wiring diagram.
5. Proper replacement of a part removed for user maintenance.

## SAVE THESE INSTRUCTIONS!

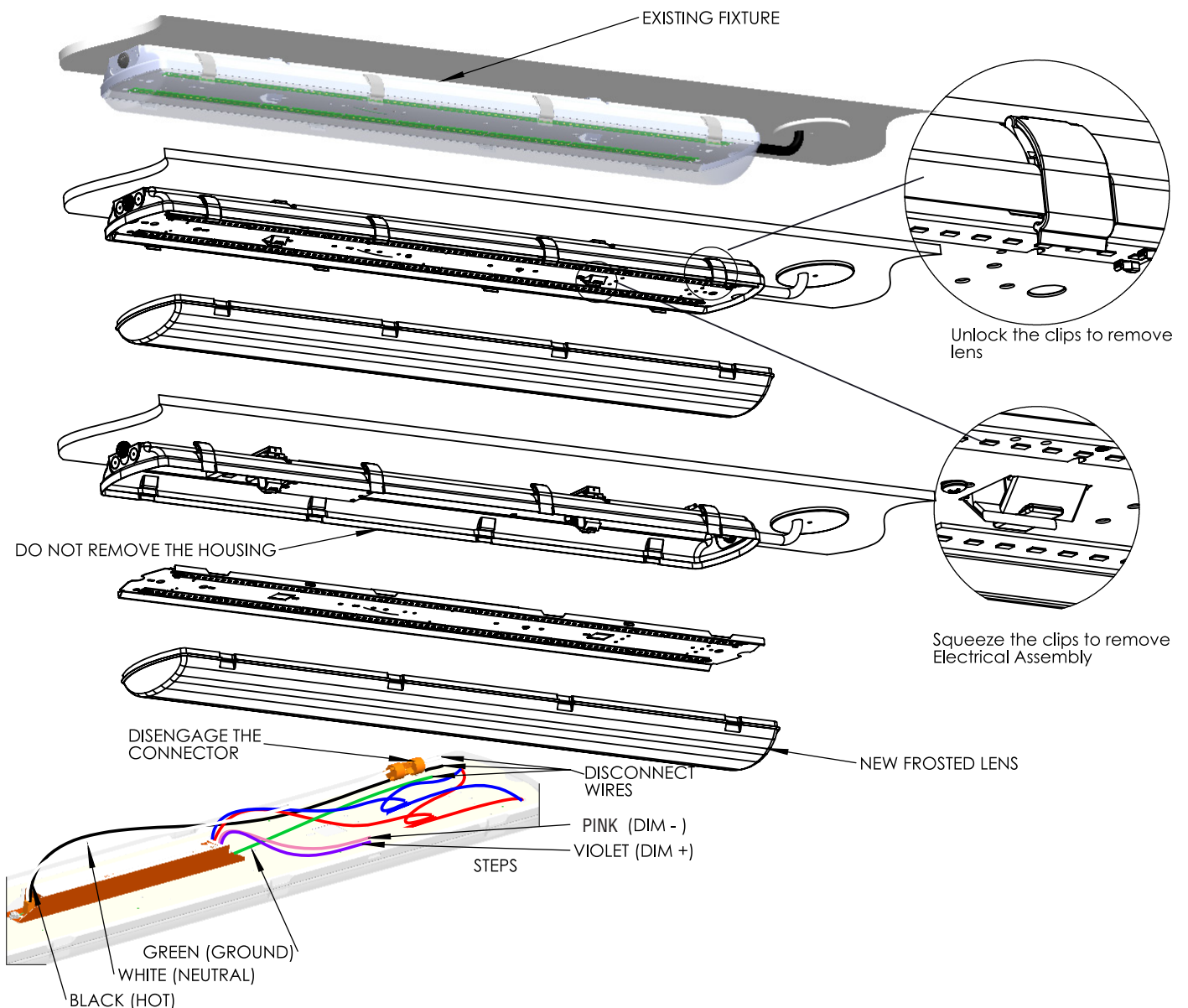
**WARNING** ⚠

No user serviceable parts. Refer service to a qualified service technician. Read instructions prior to installing and/or operating this device. Installation should be performed by a licensed electrician/installer in accordance with local codes.

## RETROFIT KIT INSTALLATION

1. Turn off power supply. (DO NOT REMOVE THE FIXTURE).
2. Unclip (8) lens clips and remove polycarbonate lens.
3. Squeeze the pair of center-clips to release the electrical tray.
4. Disconnect all power leads, and reconnect to NEW REPLACEMENT TRAY.
5. Re-install replacement tray by snapping back on the clips.  
(BE CAREFUL TO ALIGN TRAY OUTER EDGES WITH EXTERIOR HOUSING GROOVES).
6. Install the New Frosted Polycarbonate Lens and re-clip (8) lens clips.

NOTE: KIT INCLUDES ELECTRICAL ASSEMBLY & FROSTED LENS



**ADDITIONAL SAFETY INSTRUCTIONS**

1. WARNING – RISK OF FIRE OR ELECTRIC SHOCK. INSTALLATION OF THIS RETROFIT ASSEMBLY REQUIRES A PERSON FAMILIAR WITH THE CONSTRUCTION AND OPERATION OF THE LUMINAIRE'S ELECTRICAL SYSTEM AND THE HAZARD INVOLVED. IF NOT QUALIFIED, DO NOT ATTEMPT INSTALLATION. CONTACT A QUALIFIED PERSON.
2. WARNING – RISK OF FIRE OR ELECTRIC SHOCK. INSTALL THIS KIT ONLY IN THE LUMINAIRES THAT HAS THE CONSTRUCTION FEATURES AND DIMENSIONS SHOWN IN THE PHOTOGRAPHS AND/OR DRAWINGS AND WHERE THE INPUT RATING OF THE RETROFIT KIT DOES NOT EXCEED THE INPUT RATING OF THE LUMINAIRE.
3. "DO NOT MAKE OR ALTER ANY OPEN HOLES IN AN ENCLOSURE OF WIRING OR ELECTRICAL COMPONENTS DURING KIT INSTALLATION."
4. WARNING – TO PREVENT WIRING DAMAGE OR ABRASION, DO NOT EXPOSE WIRING TO EDGES OF SHEET METAL OR OTHER SHARP OBJECTS.
5. "THIS RETROFIT KIT IS ACCEPTED AS A COMPONENT OF A LUMINAIRE WHERE THE SUITABILITY OF THE COMBINATION SHALL BE DETERMINED BY AUTHORITIES HAVING JURISDICTION."