

BOXLED® MINI

BL716LED

EACH MODEL NUMBER CONSISTS OF THE FOLLOWING:
 SERIES / OPERATION / LUMENS / WATTAGE / DISTRIBUTION /
 VOLTAGE / WET LOCATION / WEIGHT / DIMENSION

SERIES:	BL716LED
OPERATION:	HT (AC ONLY)/0-10V DIMMING
LUMENS:	LO (2,170), MO (3,200), HO (4,219)
WATTAGE:	20W/30W/40W
DISTRIBUTION:	SYMMETRICAL ASYMMETRICAL
VOLTAGE:	120-277V
WET LOCATION:	IP66 / NEMA 4X
WEIGHT:	2.6LBS.
DIMENSION:	LENGTH: 76MM (3.0") WIDTH: 190MM (7.5") HEIGHT: 173MM (6.8 ")



IMPORTANT SAFEGUARDS

When using electrical equipment, basic safety precautions should always be followed including the following:

READ AND FOLLOW ALL SAFETY INSTRUCTIONS.

1. Do not let power cords touch hot surfaces.
2. Do not mount near gas or electric heaters.
3. Equipment should be mounted in locations and at heights where unauthorized personnel will not readily subject it to tampering.
4. The use of accessory equipment not recommended by BeLuce Canada Inc., may cause an unsafe condition, and will void the warranty.
5. Do not use this equipment for other than its intended purpose.
6. Servicing of this equipment should be performed by qualified service personnel.

SAVE THESE INSTRUCTIONS!

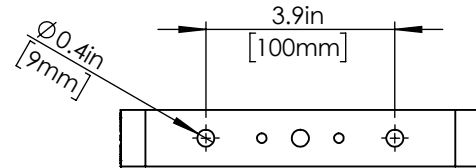
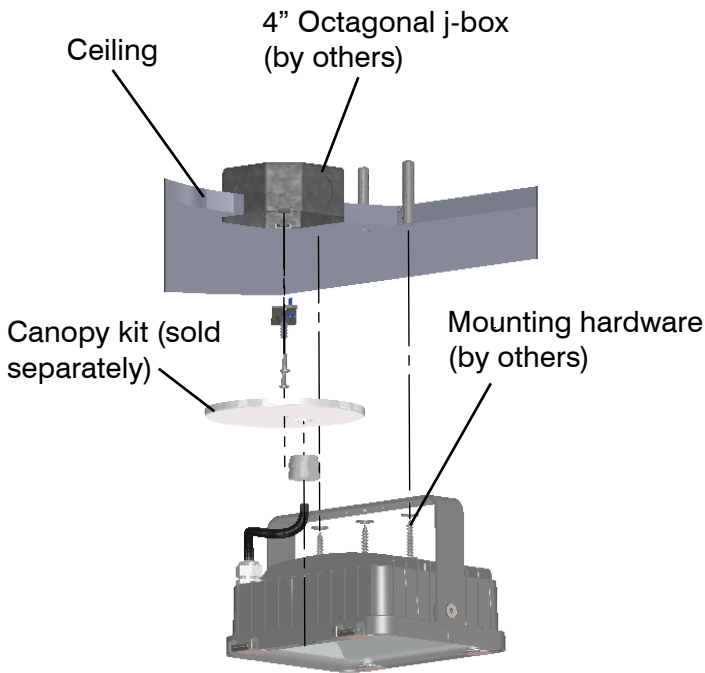
CAUTION ! ALWAYS MAKE SURE THE POWER IS TURNED OFF before starting the installation

Wiring fixture to power supply, shall be performed by a certified electrician, and wired in a manner that complies with all local and national electrical codes, as well as the manufacturer's wiring diagram.

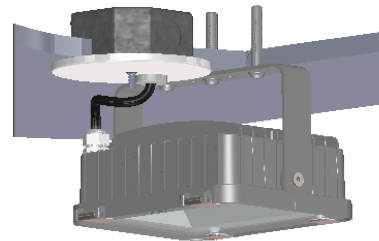
WARNING

No user serviceable parts. Refer service to a qualified service technician. Read instructions prior to installing and/or operating this device. Installation should be performed by a licensed electrician/installer in accordance with local codes.

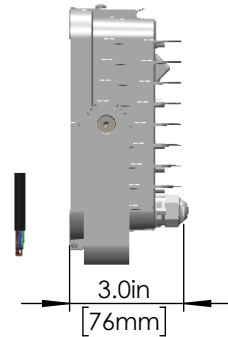
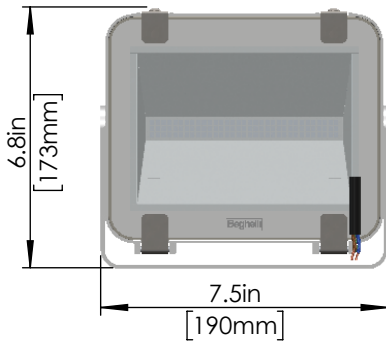
Yoke Mount (Standard)



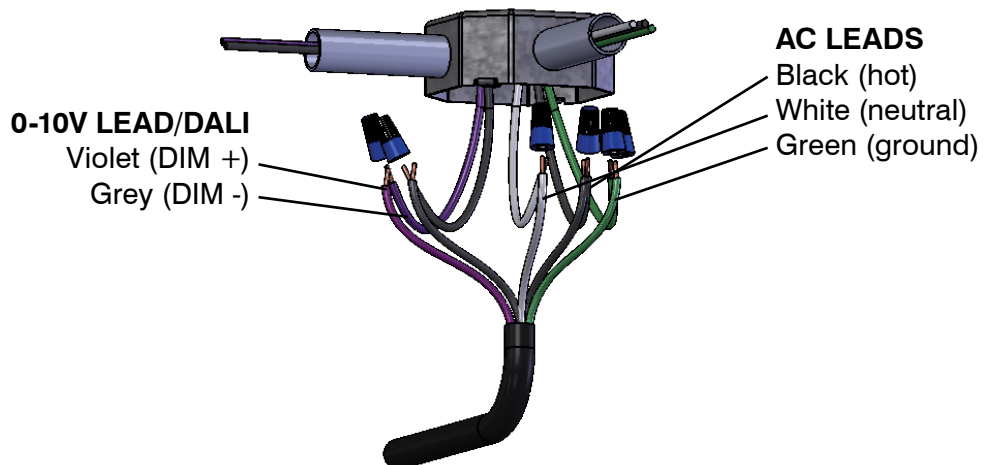
1. Locate, mark, and install anchors for the mounting bracket. Refer to the dimensions for the bracket as shown above.



2. Install the fixture as shown above (hardware by others)



0-10V dimming wires must be run from a different conduit out of the J-Box.



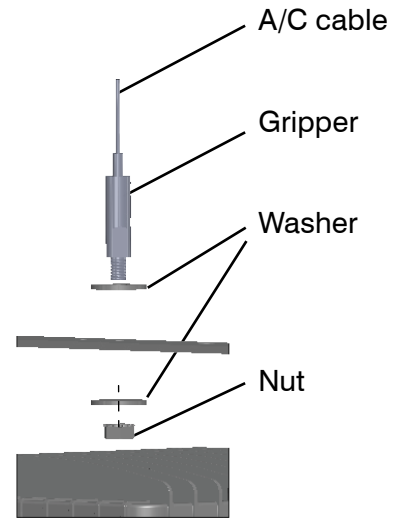
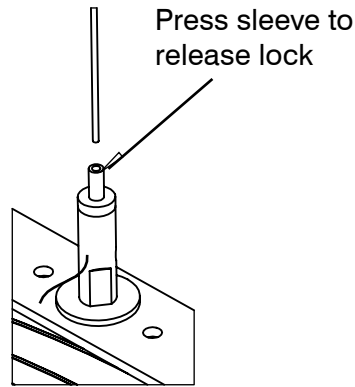
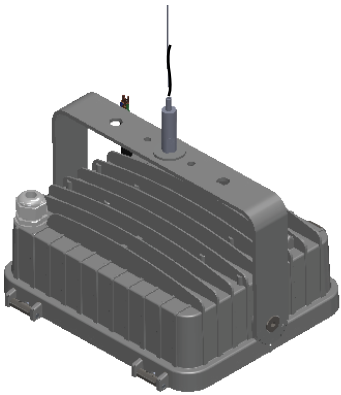
Note: For non-dimming, 3-conductor cord is available (upon request).

926000207

Aviation Cable (AC)

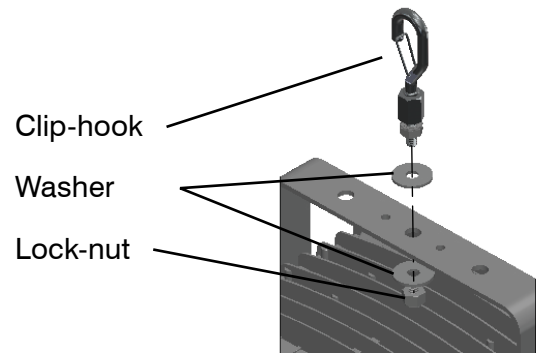
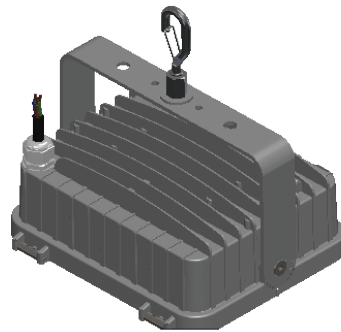
1. Attach the glider on the bracket using the washer and screw as shown.

2. Feed the cable through the glider by pressing the sleeve to release the lock



Hook Mount (HK)

Attach the clip-hook to the bracket using the washers and nut as shown. (Chain by others)

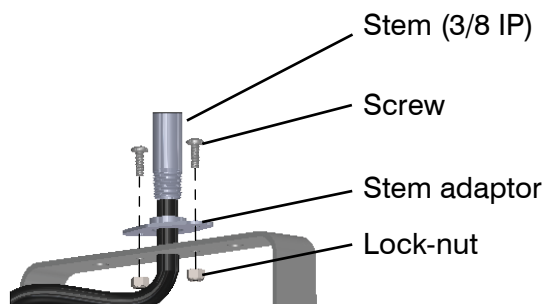


Pendant Kit (PK)

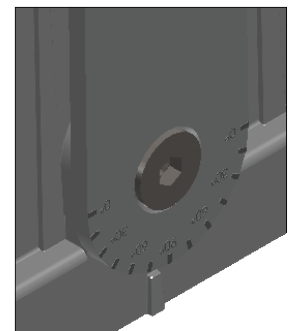
1. Attach the stem adaptor to the bracket using the screws and lock-nuts as shown.

2. Attach the stem to the assembly as shown.

3. Pass the power cord through the assembly and stem.



Adjusting the bracket:



1. Loosen the nut to adjust the angle
2. Retighten nut once the desired angle is set.

SAVE THESE INSTRUCTIONS!