

BOXLED® FLOOD

BL736LED-FL

EACH MODEL NUMBER CONSISTS OF THE FOLLOWING:
SERIES / OPERATION / LUMENS / WATTAGE / DISTRIBUTION /
VOLTAGE / WET LOCATION / WEIGHT / DIMENSION

SERIES:	BL736LED
OPERATION:	HT (AC ONLY)/0-10V DIMMING
LUMENS:	LO (14,000), HO (24,000)
WATTAGE:	150W/230W
DISTRIBUTION:	NBD (30° X 40°), WBD(70°), ASY (70° X 30°)
VOLTAGE:	120-277V; 347V
WET LOCATION:	IP66
WEIGHT:	17LBS.
DIMENSION:	LENGTH: 426.7MM (16.8") WIDTH: 414MM (16.3") HEIGHT: 160MM (6.3")



IMPORTANT SAFEGUARDS

When using electrical equipment, basic safety precautions should always be followed including the following:

READ AND FOLLOW ALL SAFETY INSTRUCTIONS.

1. Do not let power cords touch hot surfaces.
2. Do not mount near gas or electric heaters.
3. Equipment should be mounted in locations and at heights where unauthorized personnel will not readily subject it to tampering.
4. The use of accessory equipment not recommended by BeLuce Canada, may cause an unsafe condition, and will void the warranty.
5. Do not use this equipment for other than its intended purpose.
6. Servicing of this equipment should be performed by qualified service personnel.

SAVE THESE INSTRUCTIONS!

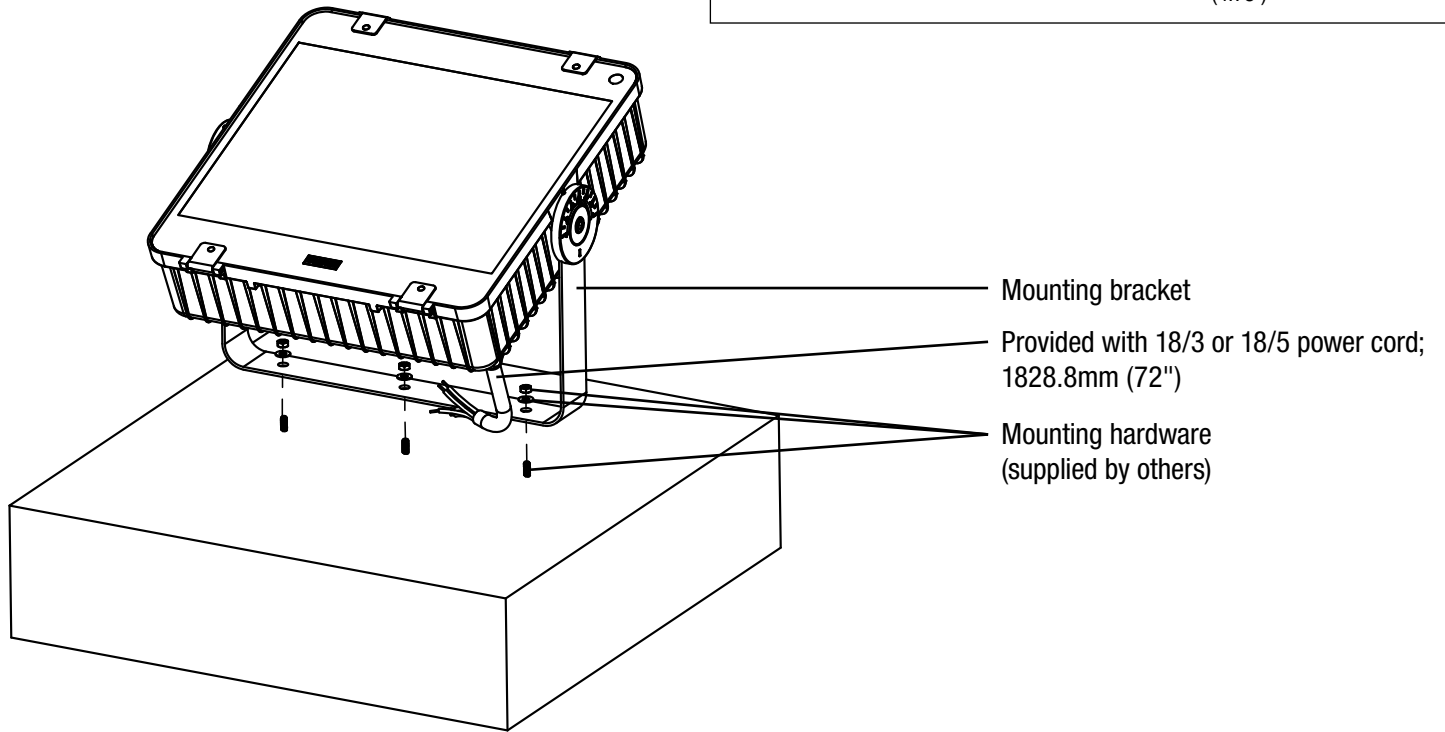
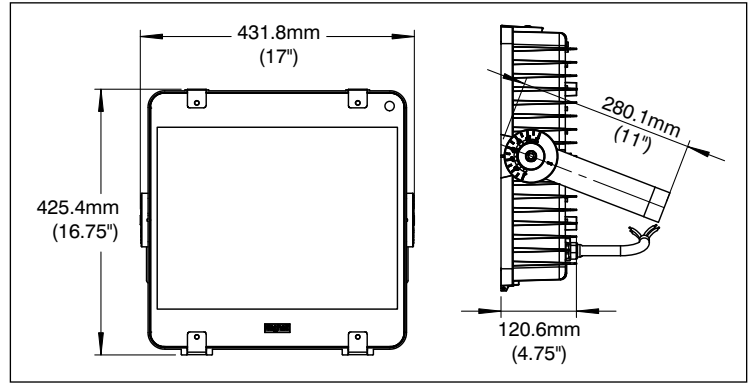
First make sure power is turned off before starting the installation!

1. Attach and secure mounting brackets to surface using appropriate fasteners.
2. Measure, locate fixture's position, and mark locations for the brackets.
3. Secure brackets (hardware supplied by others) as shown on next page. Fixture will snap in place.

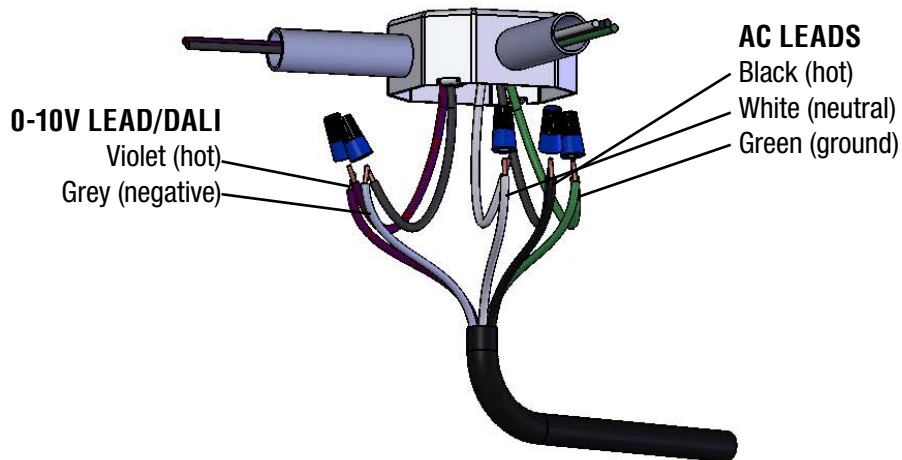
WARNING

No user serviceable parts. Refer service to a qualified service technician. Read instructions prior to installing and/or operating this device. Installation should be performed by a licensed electrician/installer in accordance with local codes.

Flood Mount



0-10V dimming wires must be run from a different conduit out of the J-Box.

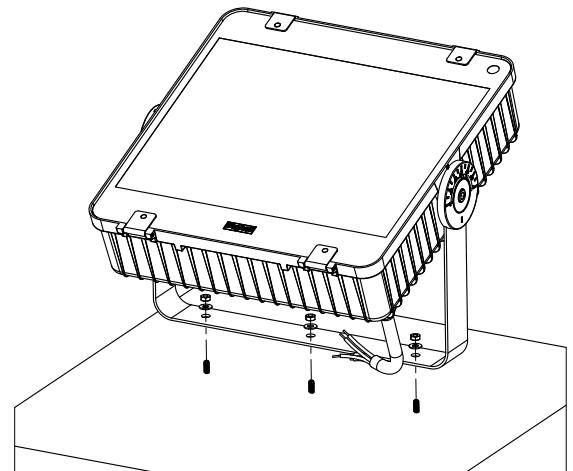
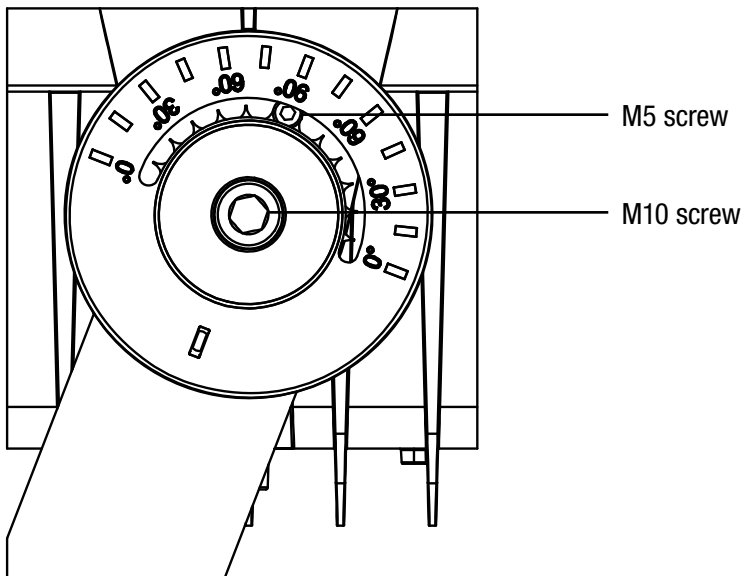
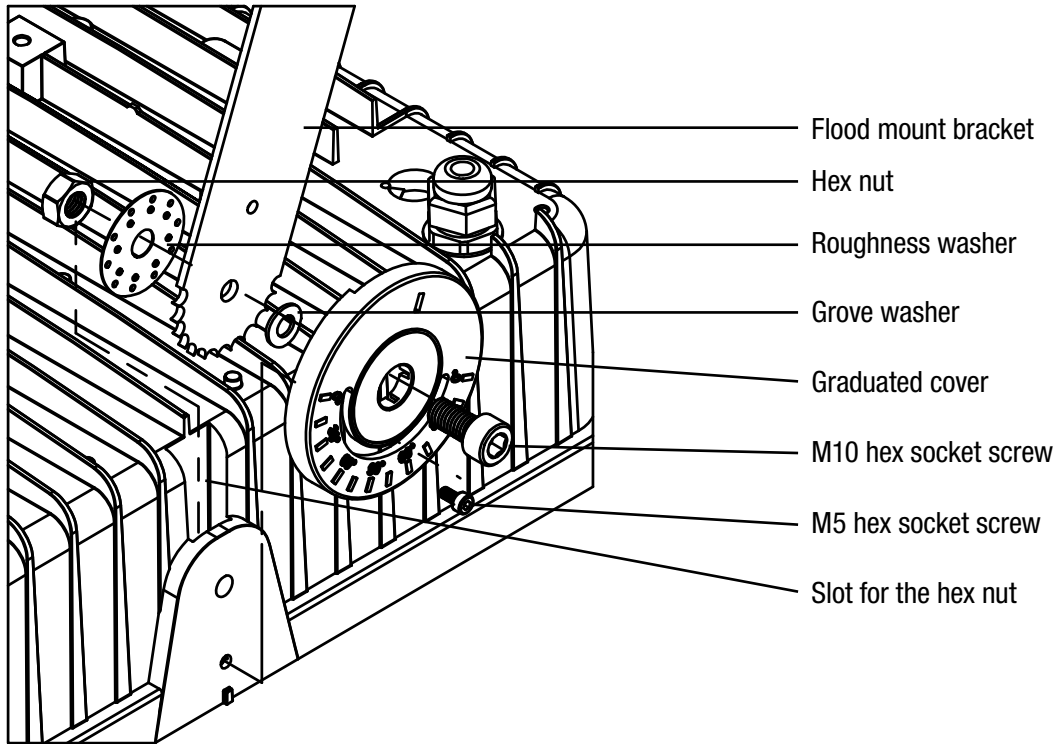
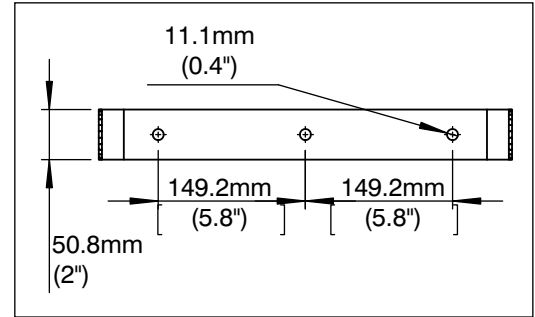


Note: For non-dimming, 3-conductor cord is available (upon request).

926000503

Flood Mounting

1. Attach bracket to housing using hardware as shown below.
 - a) Drop the hex nut into slot on the side of housing.
 - b) Roughness washer shall be located between the housing and the bracket.
 - c) M10 screw shall go through graduated cover and grove washer.
2. Install fixture onto concrete pad/slap as shown (mounting hardware supplied by others).
3. Loosen M10 screw to adjust the aim angle.
4. Retighten the M10 screw and lock the position up with M5 screw.



926000503

SAVE THESE INSTRUCTIONS!