

## BOXLED®

### BL736LED

EACH MODEL NUMBER CONSISTS OF THE FOLLOWING:  
 SERIES / OPERATION / LUMENS / WATTAGE / DISTRIBUTION /  
 VOLTAGE / WET LOCATION / WEIGHT / DIMENSION

<b>SERIES:</b>	BL736LED
<b>OPERATION:</b>	HT (AC ONLY)/0-10V DIMMING
<b>LUMENS:</b>	LO (14,000), HO (24,000)
<b>WATTAGE:</b>	150W/230W
<b>DISTRIBUTION:</b>	NBD (30° X 40°), WBD(70°), ASY (70° X 30°)
<b>VOLTAGE:</b>	120-277V; 347V
<b>WET LOCATION:</b>	IP66
<b>WEIGHT:</b>	17LBS.
<b>DIMENSION:</b>	LENGTH: 426.7MM (16.8") WIDTH: 414MM (16.3") HEIGHT: 160MM (6.3")



## IMPORTANT SAFEGUARDS

When using electrical equipment, basic safety precautions should always be followed including the following:

### READ AND FOLLOW ALL SAFETY INSTRUCTIONS.

1. Do not let power cords touch hot surfaces.
2. Do not mount near gas or electric heaters.
3. Equipment should be mounted in locations and at heights where unauthorized personnel will not readily subject it to tampering.
4. The use of accessory equipment not recommended by BeLuce Canada, may cause an unsafe condition, and will void the warranty.
5. Do not use this equipment for other than its intended purpose.
6. Servicing of this equipment should be performed by qualified service personnel.

### SAVE THESE INSTRUCTIONS!

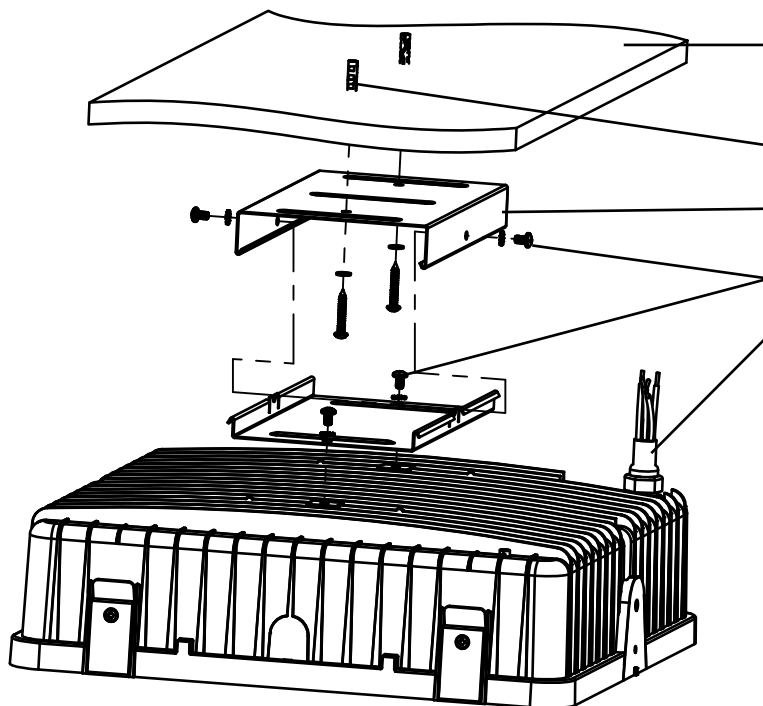
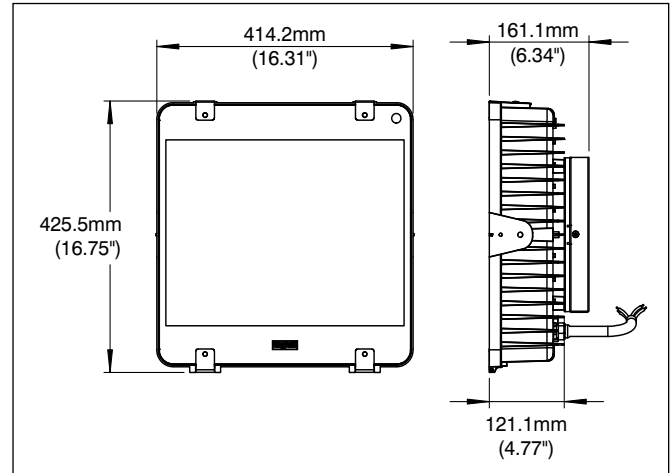
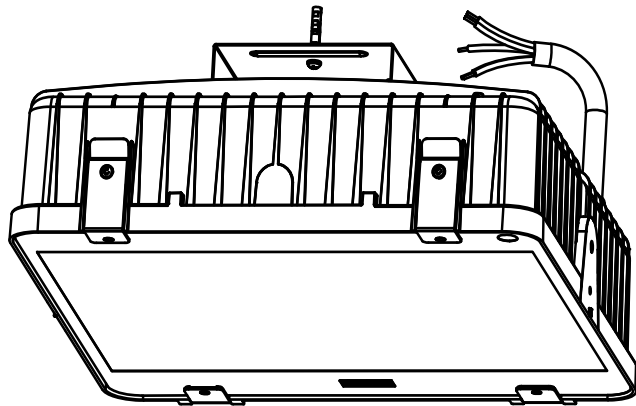
### First make sure power is turned off before starting the installation!

1. Attach and secure mounting brackets to surface using appropriate fasteners.
2. Measure, locate fixture's position, and mark locations for the brackets.
3. Secure brackets (hardware supplied by others) to ceiling as shown on next page. Fixture will snap in place.

### WARNING

No user serviceable parts. Refer service to a qualified service technician. Read instructions prior to installing and/or operating this device. Installation should be performed by a licensed electrician/installer in accordance with local codes.

**Surface Mount**



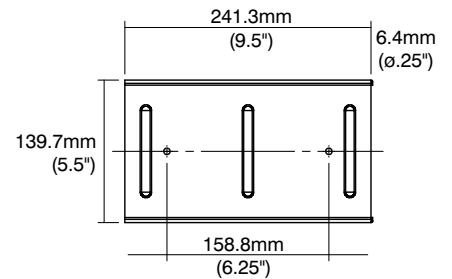
Ceiling's structure should be adequate to support the weight of the structure

Mounting hardware (supplied by others)

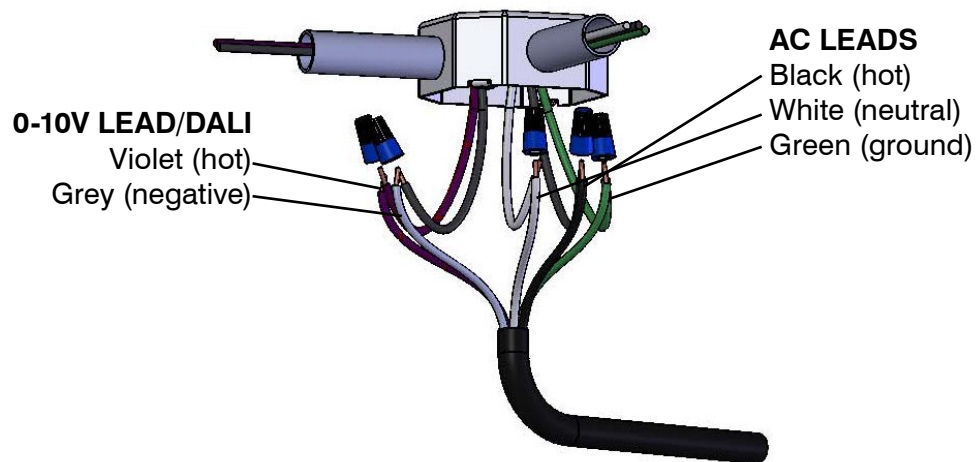
Mounting bracket

Screws & washers

Provided with 18/3 or 18/5 power cord; 1828.8mm (72")



0-10V dimming wires must be run from a different conduit out of the J-Box.

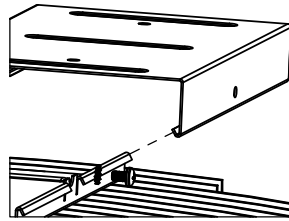
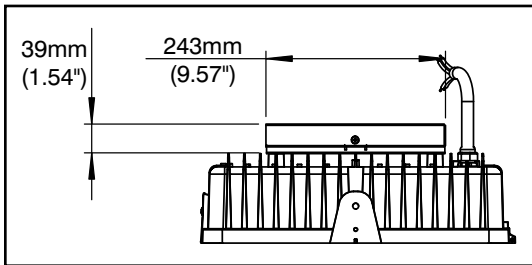


Note: For non-dimming, 3-conductor cord is available (upon request).

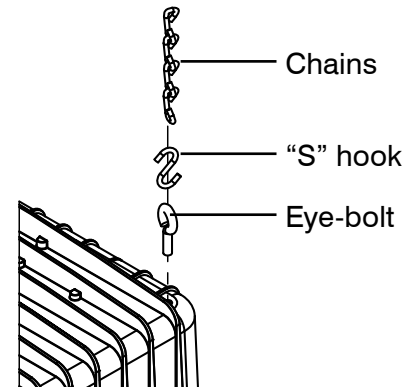
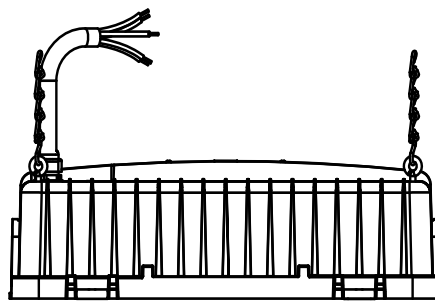
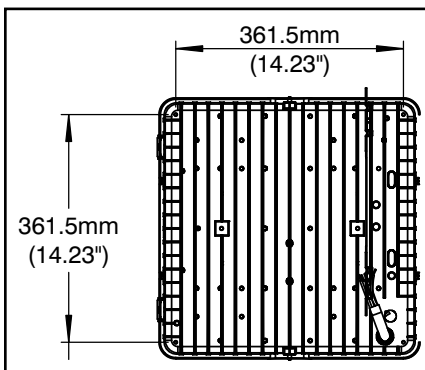
926000502

### Surface Mounting

1. Slide bracket to engage the flanges until it stops.
2. Secure the bracket with provided screws.



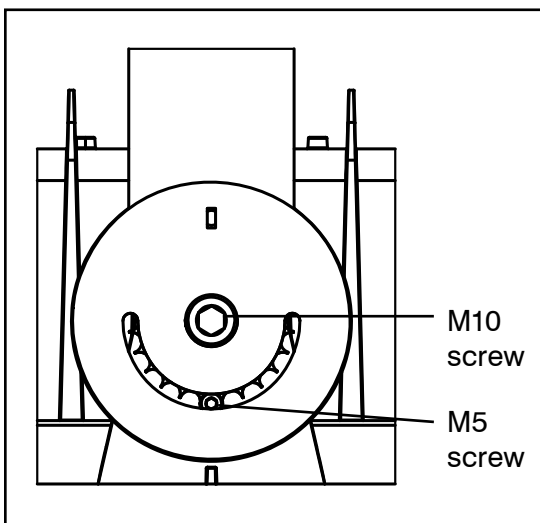
### Chain & Hook Mounting



### Pendant, Hook & Yoke Mounting

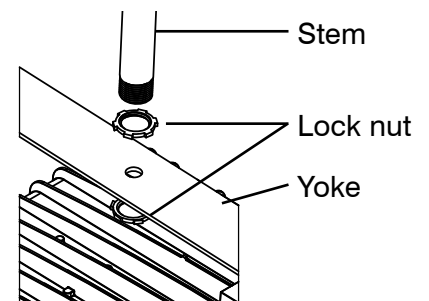
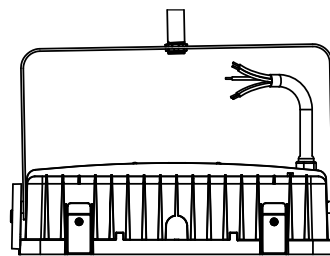
#### Leveling:

1. Loosening the M10 screw, adjust the angle by pushing the yoke toward the power cord side of the fixture (approx. 7-8°).
2. Retighten the M10 screw and lock the position with the M5 screw.



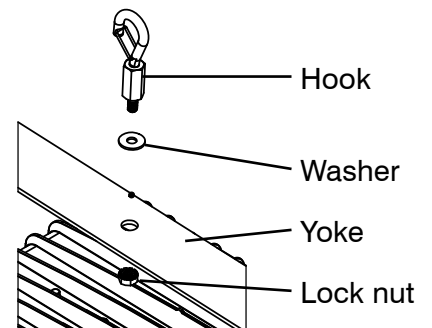
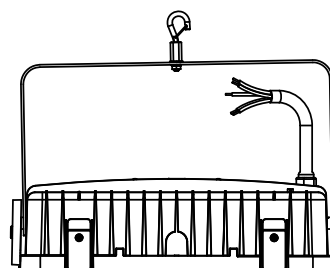
#### Pendant:

1. Refer to *Yoke Mounting* bracket for detail to install yoke.
2. Attach pendant to bracket with provided lock nut as shown.



#### Hook:

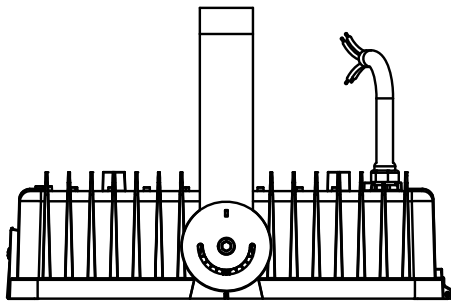
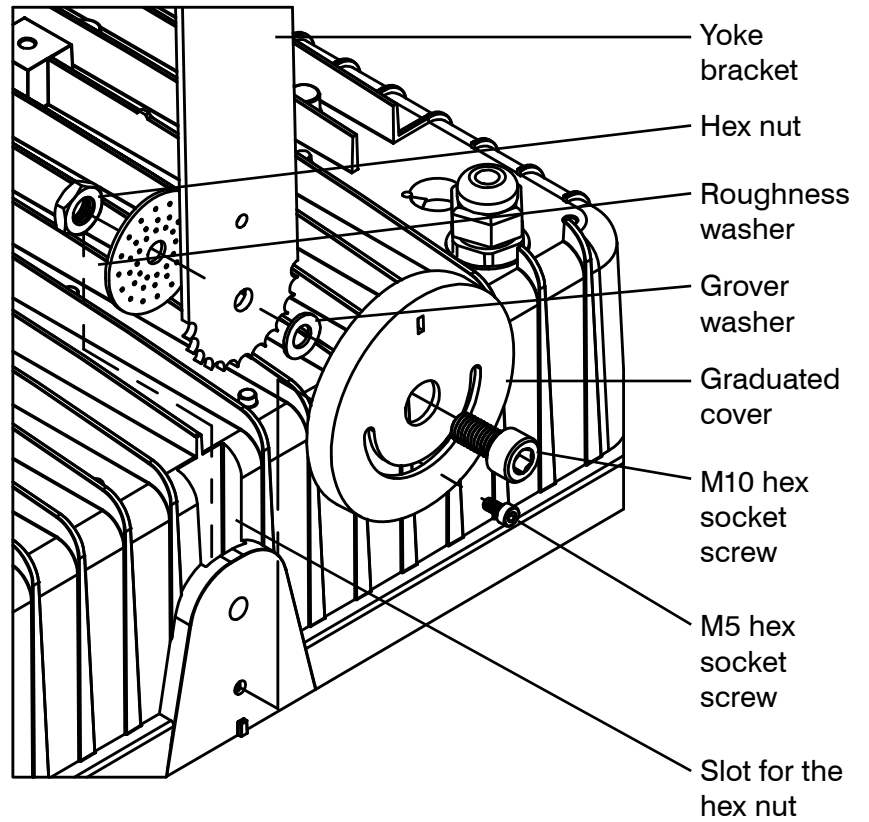
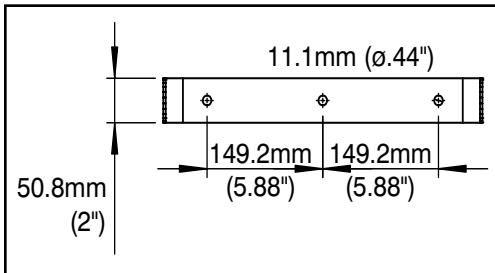
1. Refer to *Yoke Mounting* bracket for detail to install bracket.
2. Attach hook to yoke with provided washer and lock nut as shown.



926000502

**Yoke Mounting:**

1. Attach yoke to housing using hardware as shown.
2. Aim fixture to a desirable direction and lock in place using M5 screw.



**SAVE THESE INSTRUCTIONS!**