

# SCALA

## STAIRWELL LED

- 30W & 40W MODELS
- 120V-277V
- AC & EM, 2FT

LED | Wet | 2 FT



## IMPORTANT SAFEGUARDS

When using electrical equipment, basic safety precautions should always be followed including the following:

### READ AND FOLLOW ALL SAFETY INSTRUCTIONS.

1. Do not let power cords touch hot surfaces.
2. Do not mount near gas or electric heaters.
3. Equipment should be mounted in locations and at heights where unauthorized personnel will not readily subject it to tampering.
4. The use of accessory equipment not recommended by BeLuce Canada Inc., may cause an unsafe condition, and will void the warranty.
5. Do not use this equipment for other than its intended purpose.
6. Servicing of this equipment should be performed by qualified service personnel.

### SAVE THESE INSTRUCTIONS!

First make sure power is turned off!

1. Remove lens.
2. Carefully remove the LED reflector from housing. You'll find the mounting hardware bag needed for step 9.
3. Extract mounting hardware.
4. Fasten fixture to mounting surface.
5. Prepare fixture for wiring / hang reflector from internal clips. Connect AC supply and ground as labeled on the provided wire leads. CAP unused wires!

**CAUTION!** Failure to insulate unused wire may result in a shock hazard or unsafe condition as well as equipment failure. Route wires and secure them in place.

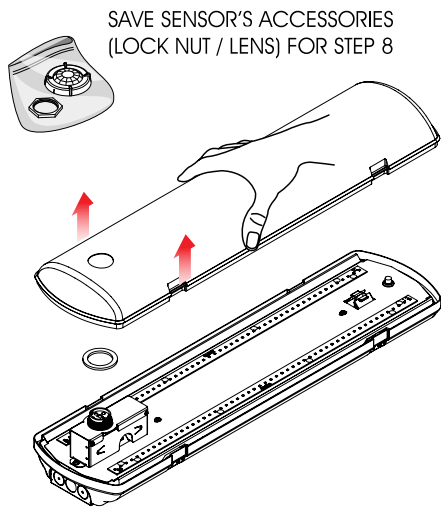
6. Install lens clips.
7. Install sensor's gasket and lens.
8. Secure lens with clips. Reposition the lens and snap each of the four (4) clips into place (a "clack" sound is made).
9. Remove protective film from sensor.
10. Secure sensor with locknut and install sensor's lens.
11. Turn on AC.

SAVE THESE INSTRUCTIONS!

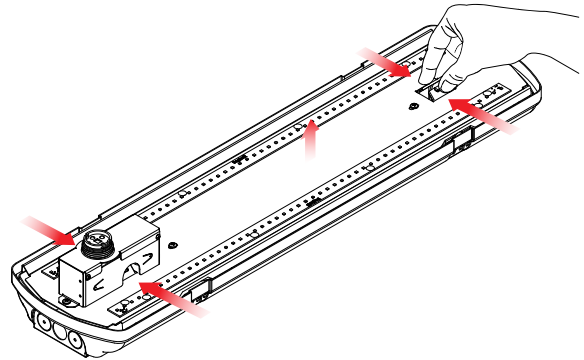
## WARNING

No user serviceable parts. Refer service to a qualified service technician. Read instructions prior to installing and/or operating this device. Installation should be performed by a licensed electrician/installer in accordance with local codes.

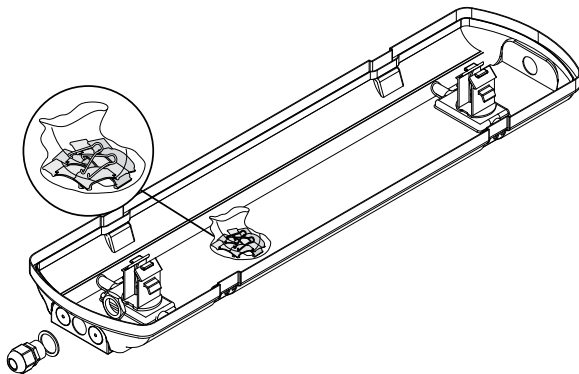
## 1. REMOVE LENS



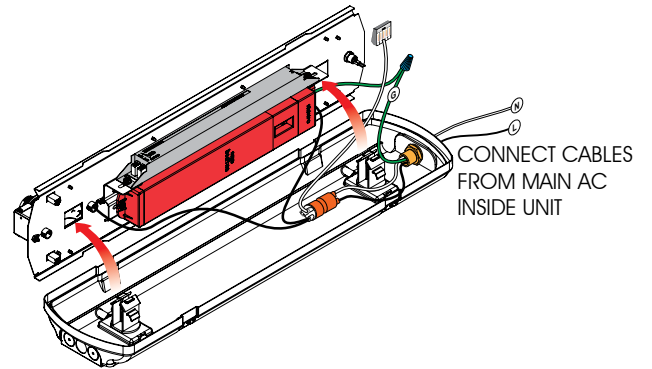
## 2. REMOVE LED REFLECTOR FROM HOUSING BE CAREFUL TO NOT TOUCH THE LEDs!



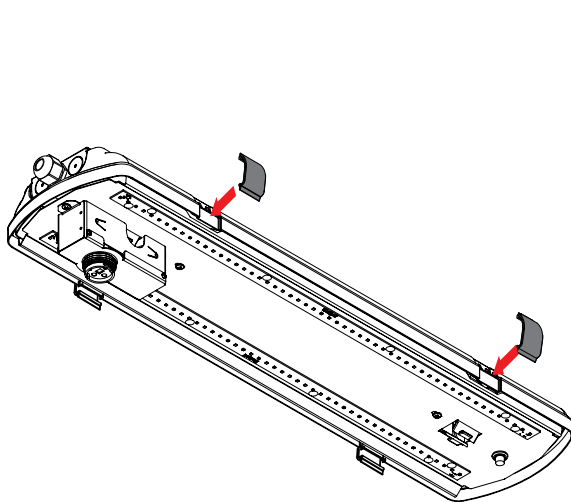
## 3. EXTRACT MOUNTING HARDWARE, INSTALL CONDUIT FITTING



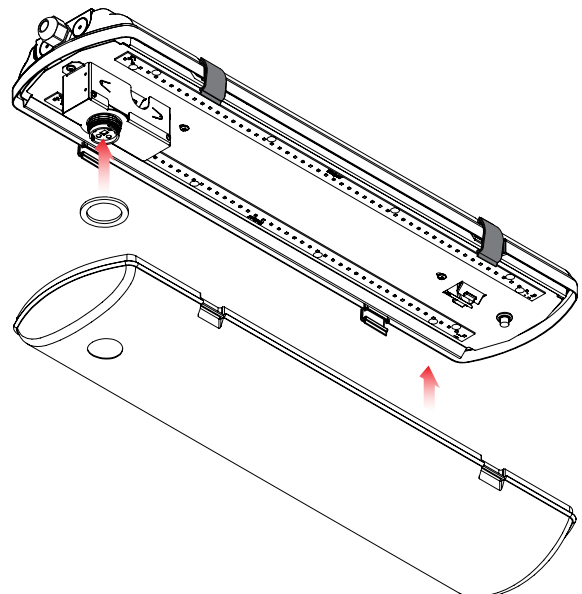
## 4. CONNECT TO POWER



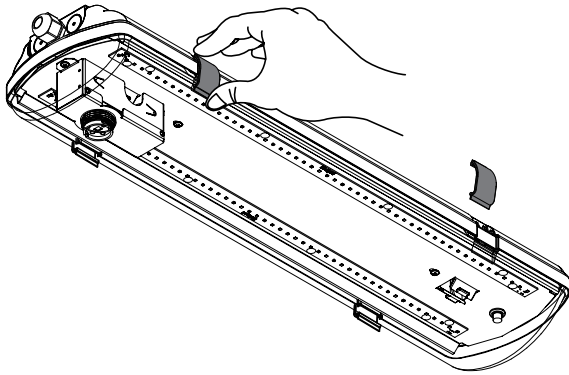
## 5. INSTALL LENS CLIPS



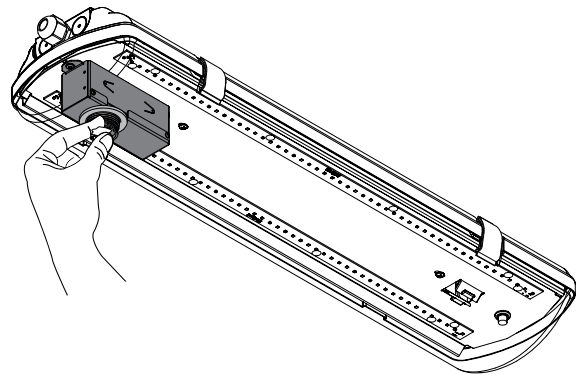
## 6. INSTALL SENSOR'S GASKET & LENS



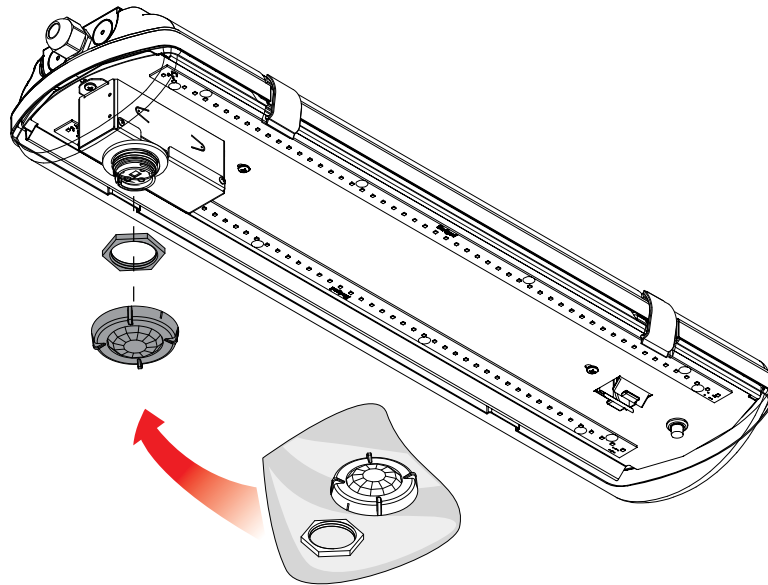
7. SECURE LENS WITH CLIPS



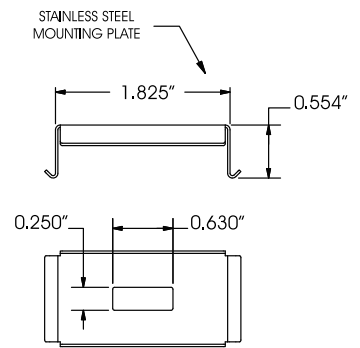
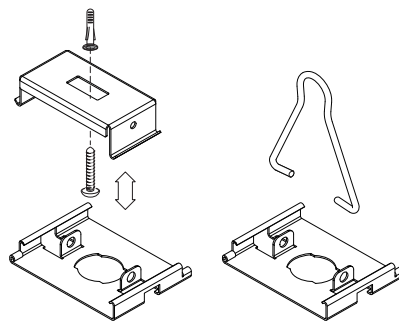
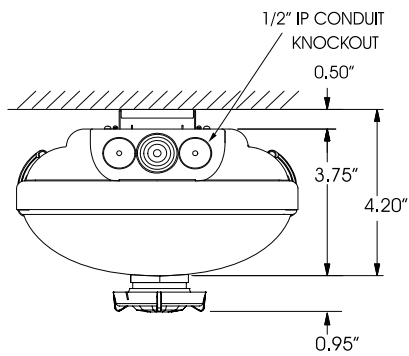
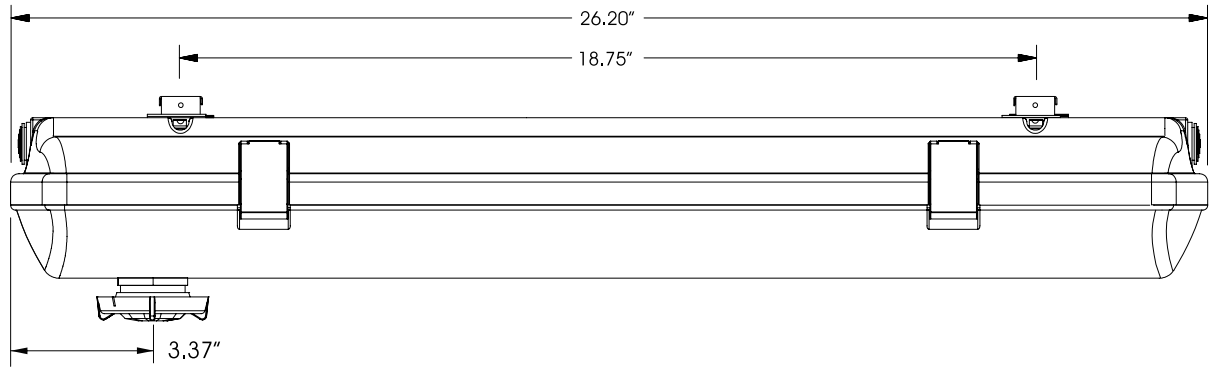
8. REMOVE PROTECTIVE FILM FROM SENSOR



9. SECURE SENSOR WITH LOCKNUT. INSTALL SENSOR'S LENS.

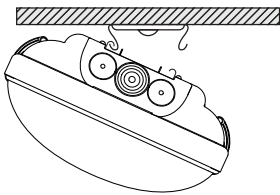


GENERAL DIMENSIONS

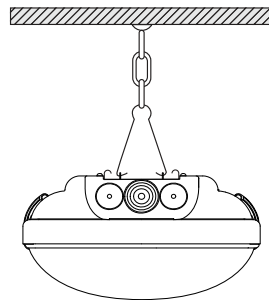


INSTALL MOUNTING HARDWARE

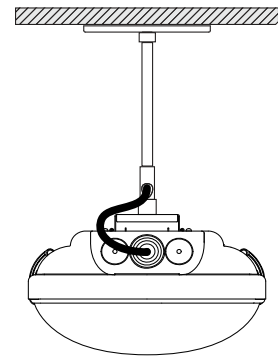
SURFACE MOUNT



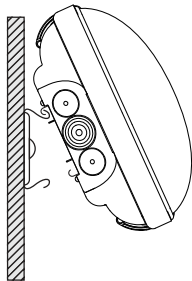
CHAIN HANG MOUNT (CH)



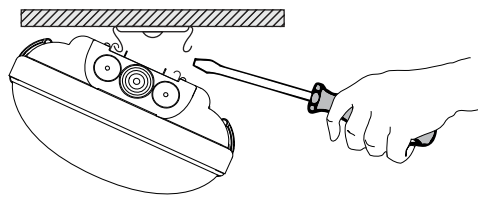
SINGLE PENDANT MOUNT (SPK)



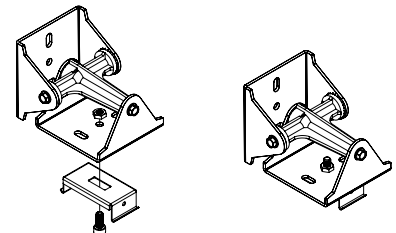
WALL MOUNT



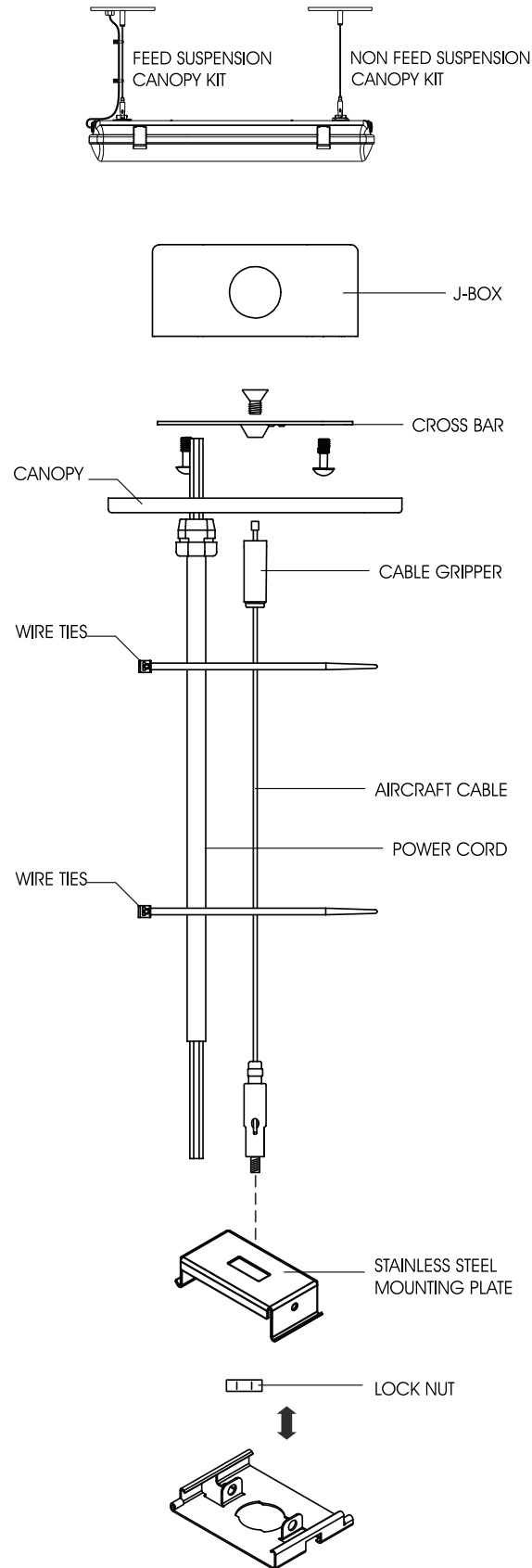
FIXTURE REMOVAL (IF NECESSARY)



PIVOT MOUNT (PM)

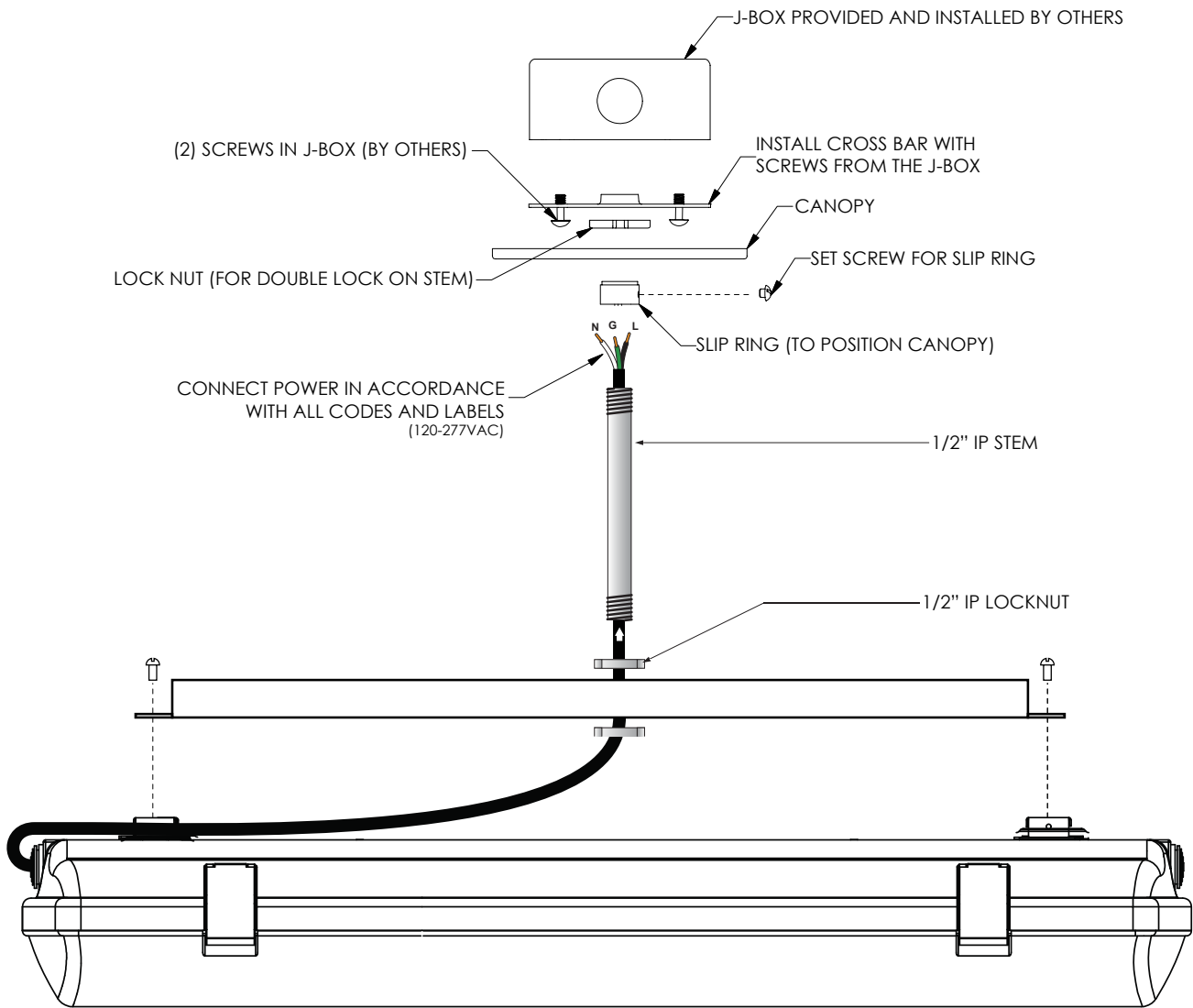


AIRCRAFT CABLE MOUNTING



926000388

### SINGLE PENDANT



# SCALA

## STAIRWELL LED

- 30W & 40W MODELS
- 347V
- AC & EM, 2FT

LED | Wet | 2 FT



### IMPORTANT SAFEGUARDS

When using electrical equipment, basic safety precautions should always be followed including the following:

#### READ AND FOLLOW ALL SAFETY INSTRUCTIONS.

1. Do not let power cords touch hot surfaces.
2. Do not mount near gas or electric heaters.
3. Equipment should be mounted in locations and at heights where unauthorized personnel will not readily subject it to tampering.
4. The use of accessory equipment not recommended by BeLuce Canada Inc., may cause an unsafe condition, and will void the warranty.
5. Do not use this equipment for other than its intended purpose.
6. Servicing of this equipment should be performed by qualified service personnel.

#### SAVE THESE INSTRUCTIONS!

##### First make sure power is turned off!

1. Remove lens.
2. Carefully remove the LED reflector from housing. You'll find the mounting hardware bag.
3. Extract mounting hardware. Install conduit fitting.
4. Fasten fixture to mounting surface.
5. Prepare fixture for wiring / hang reflector from internal clips. Connect AC supply and ground as labeled on the provided wire leads. CAP unused wires!

**CAUTION! Failure to insulate unused wire may result in a shock hazard or unsafe condition as well as equipment failure.** Route wires and secure them in place.

6. Install lens clips.
7. Install sensor's gasket and lens.
8. Secure lens with clips. Reposition the lens and snap each of the four (4) clips into place (a "clack" sound is made).
9. Remove protective film from sensor.
10. Secure sensor with locknut and install sensor's lens.
11. Turn on AC.

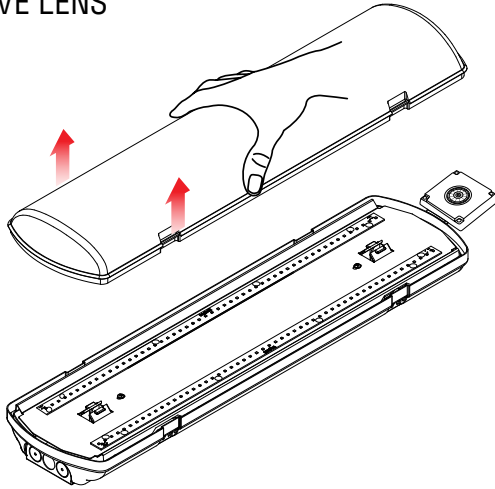
#### SAVE THESE INSTRUCTIONS!

926000413

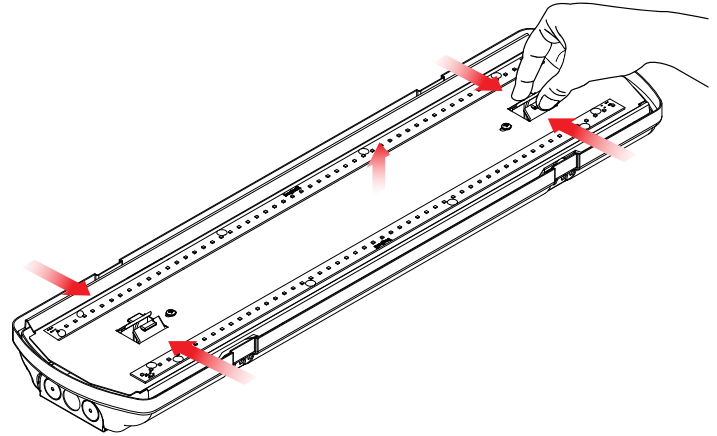
### WARNING

No user serviceable parts. Refer service to a qualified service technician. Read instructions prior to installing and/or operating this device. Installation should be performed by a licensed electrician/installer in accordance with local codes.

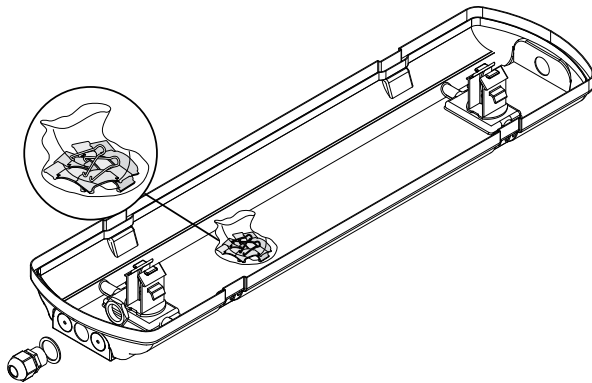
1. REMOVE LENS



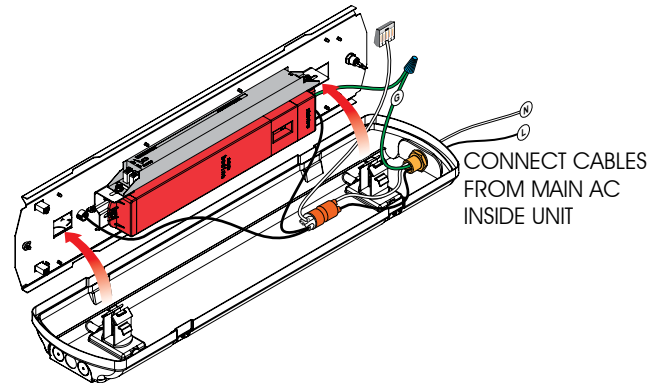
2. REMOVE LED REFLECTOR FROM HOUSING  
BE CAREFUL TO NOT TOUCH THE LEDs!



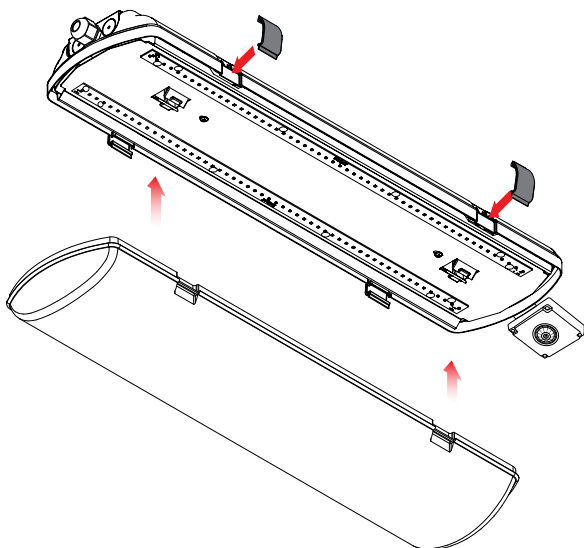
3. EXTRACT MOUNTING HARDWARE,  
INSTALL FITTING (PROVIDED BY OTHERS)



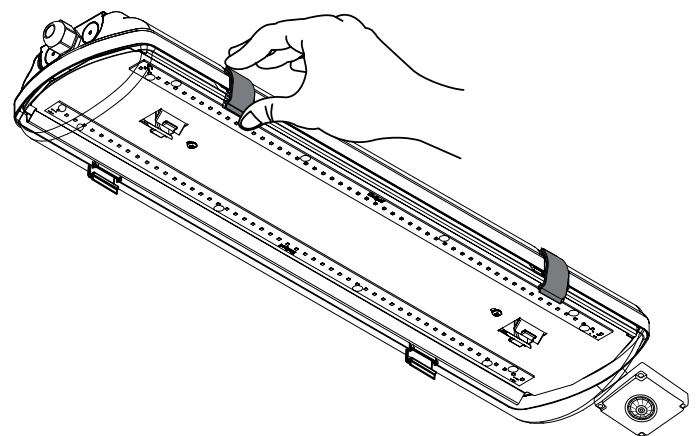
4. CONNECT TO POWER

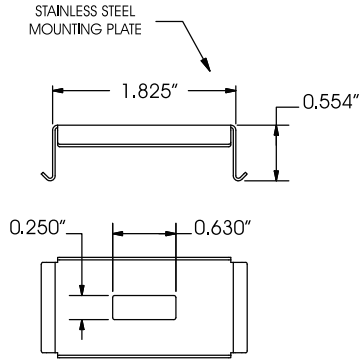
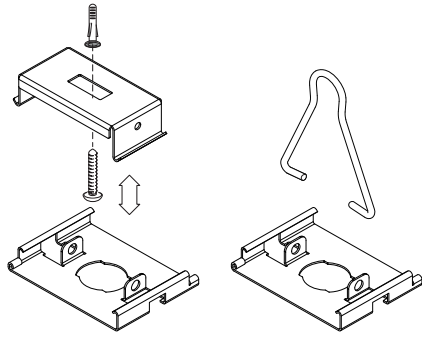


5. INSTALL LENS CLIPS & LENS



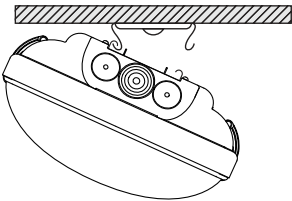
6. SECURE LENS WITH CLIPS



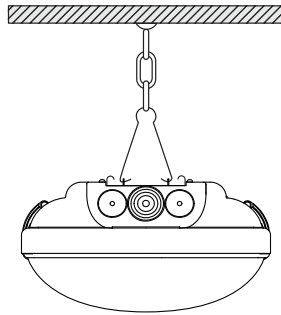


**INSTALL MOUNTING HARDWARE**

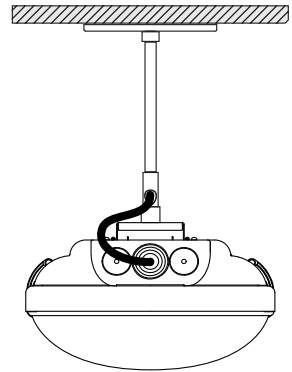
**SURFACE MOUNT**



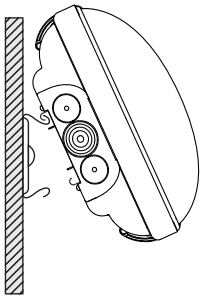
**CHAIN HANG MOUNT (CH)**



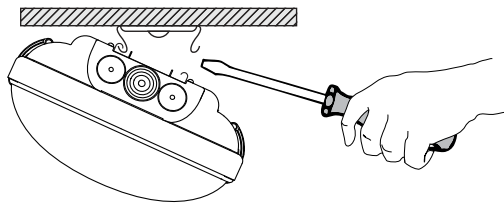
**SINGLE PENDANT MOUNT (SPK)**



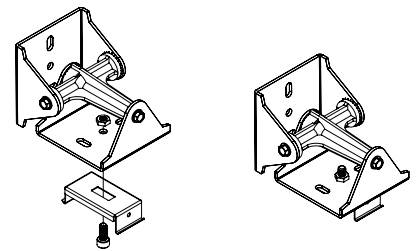
**WALL MOUNT**



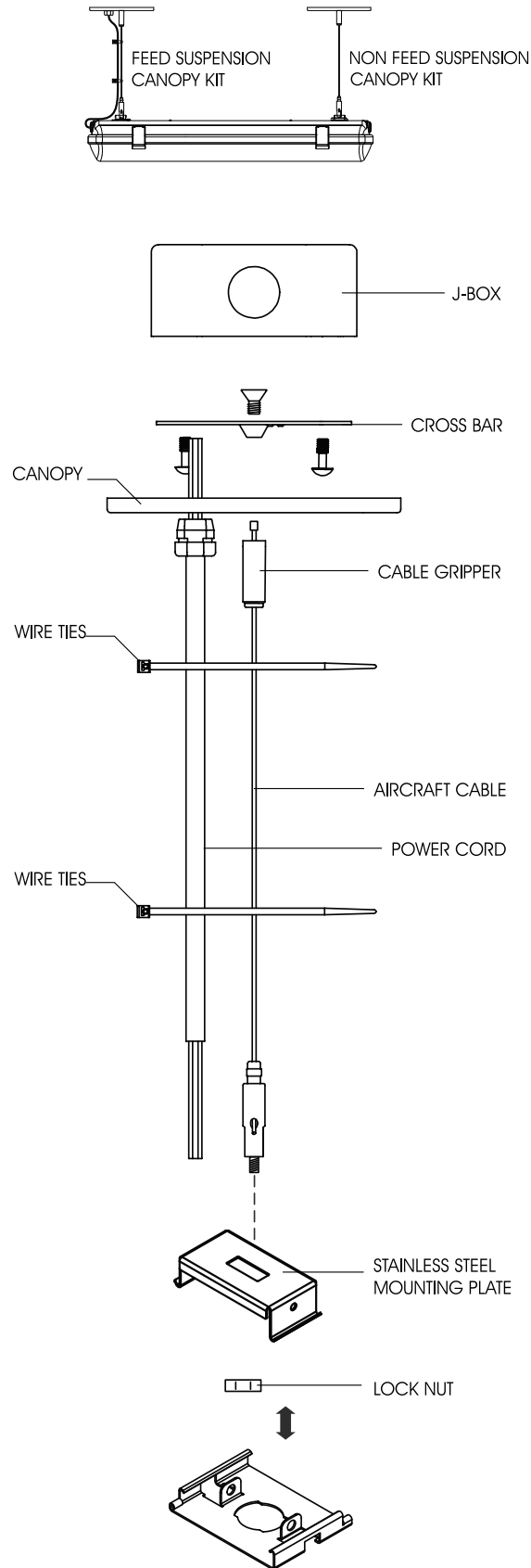
**FIXTURE REMOVAL (IF NECESSARY)**



**PIVOT MOUNT (PM)**



AIRCRAFT CABLE MOUNTING



### SINGLE PENDANT

