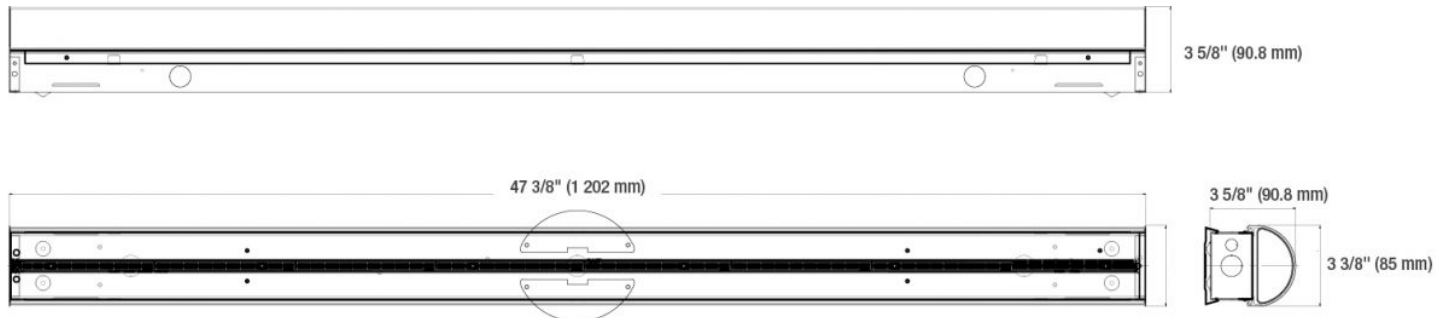


**SLT**



**MODEL INFORMATION**

<b>MODEL</b>	TRI-LEVEL LED STRIP WITH LENS
<b>WATTAGE</b>	35W
<b>VOLTAGE</b>	120-347V
<b>WET LOCATION</b>	YES
<b>OPERATION</b>	STANDBY DIMMING AT 20%
<b>AMBIENT TEMPERATURE</b>	-20°C to 55°C
<b>DIMENSION</b>	47 3/8" L X 3 3/8" W X 3 5/8" H
<b>WEIGHT</b>	6.3 LBS (2.9KG)



**WARNING ELECTRICAL SHOCK HAZARD**

**READ and UNDERSTAND** these instructions before installing the luminaire.

Disconnect the Electrical supply power at the services panel (fuse or circuit breaker box). Failure to do so could result in serious injury.

Only qualified electricians should install this luminaire and the installation **MUST** conform to the Canadian Electrical Code Part I, NEC and any local codes and ordinances. Any change or modifications not expressly approved by the party responsible for compliance could void the authority to operate the equipment.

**SAVE THESE INSTRUCTIONS!**

**WARNING** ⚠

No user serviceable parts. Refer service to a qualified service technician. Read instructions prior to installing and/or operating this device. Installation should be performed by a licensed electrician/installer in accordance with local codes.

## SURFACE MOUNT (Fig. 1)

1. Install the two mounting brackets on the ceiling by using the two anchors and the two mounting screws (Fig. 1 installation step “a”). See Fig. 1- DRILLING PATTERN DIMENSIONS.
2. Install the two provided canopy plates on the luminaire housing by using the four screws, such as they cover the junction box as shown in Fig. 1 detail and installation step “b”.
3. Connect the luminaire wires to the junction box wires (wire connectors not included) as follows: The green wire connected to the grounding wire, the BLACK wire to the LINE wire and the WHITE wire to the NEUTRAL wire. Make the dimming wire connections if applicable (Fig. 1 installation step “c”).

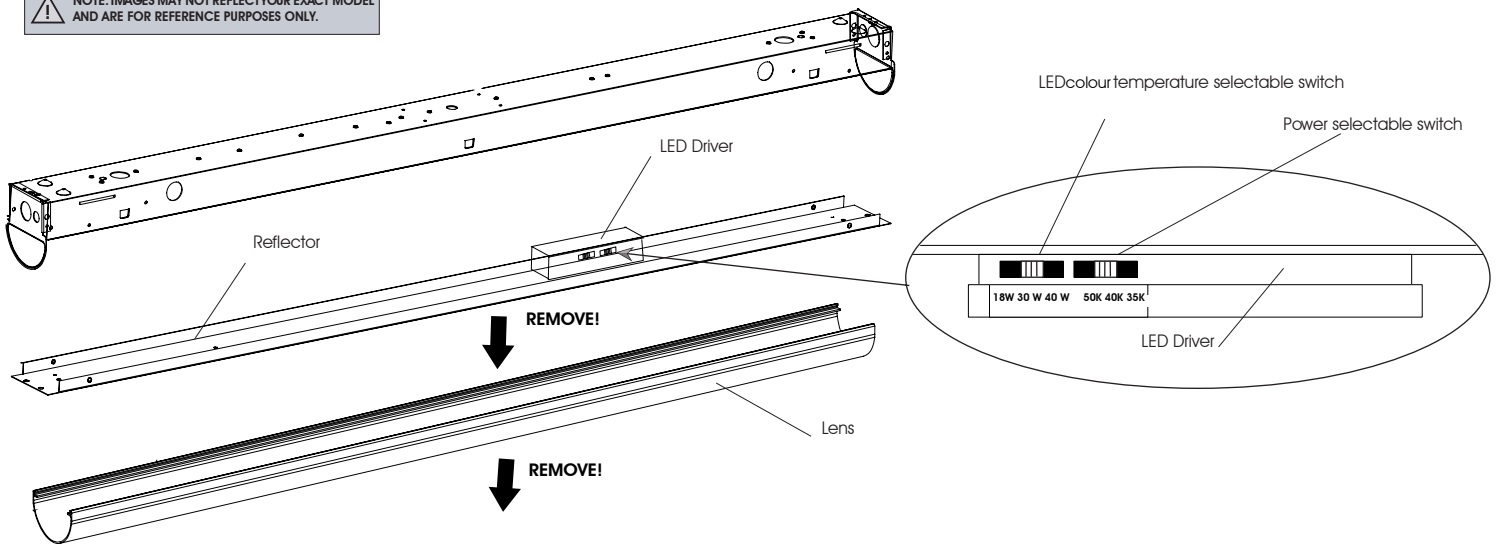
**CAUTION! Carefully push the wire connections into the junction box.**

4. Install the wire guard (optional) on the luminaire as shown in Fig. 6.
5. Install the luminaire on the ceiling by clipping the two mounting brackets into the four mounting grooves on the sides of the housing. (Fig. 1 installation step “d”).
6. Turn on the luminaire

## SURFACE MOUNT

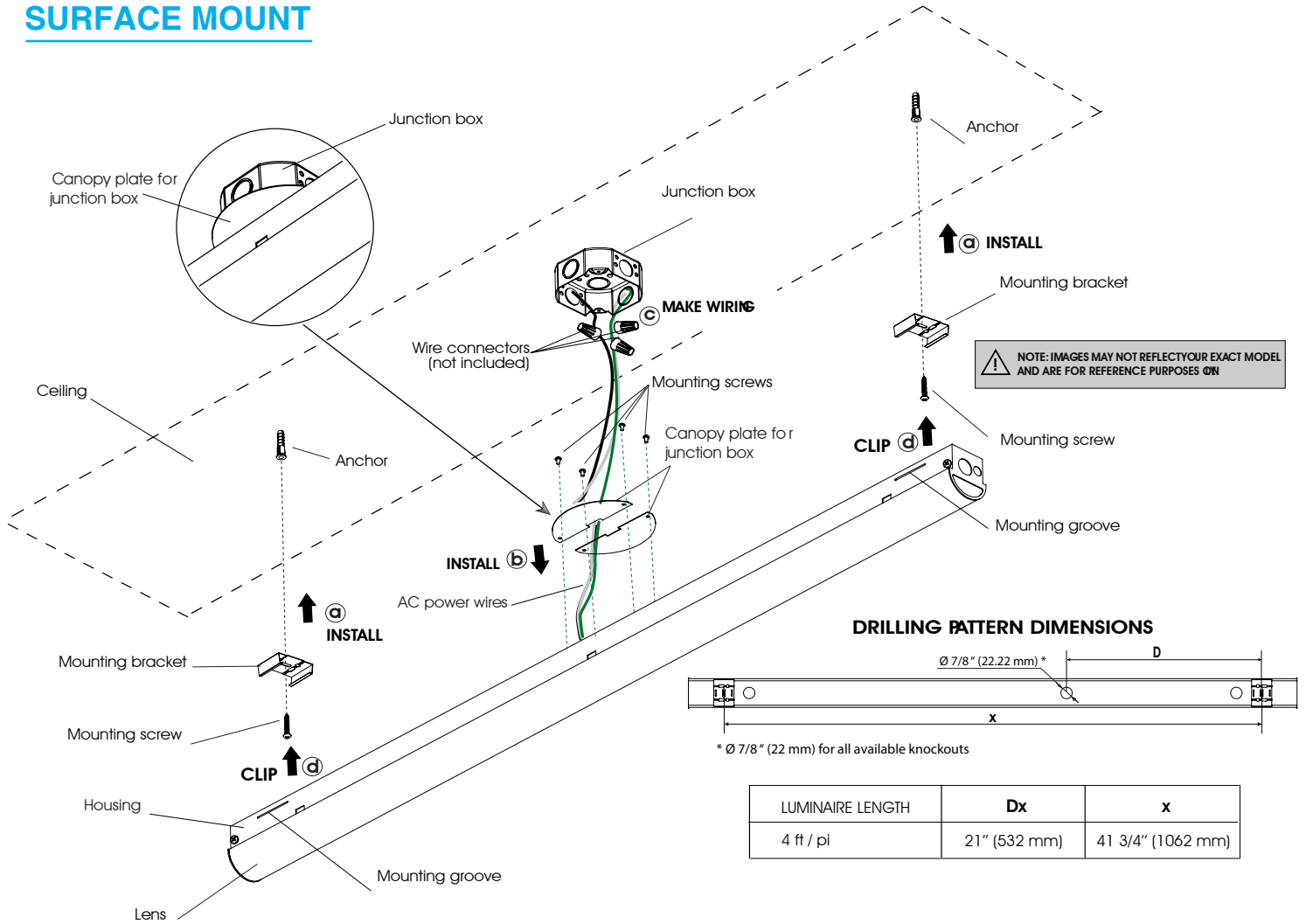
### COLOUR TEMPERATURE AND POWER SELECTION (OPTIONAL)

NOTE: IMAGES MAY NOT REFLECT YOUR EXACT MODEL AND ARE FOR REFERENCE PURPOSES ONLY.



1. Remove the lens and the reflector of the luminaire.
2. Select the desired LED colour temperature and power by using the two switches.  
NOTE: The position of the switches may vary depending on the model of the luminaire.

**SURFACE MOUNT**



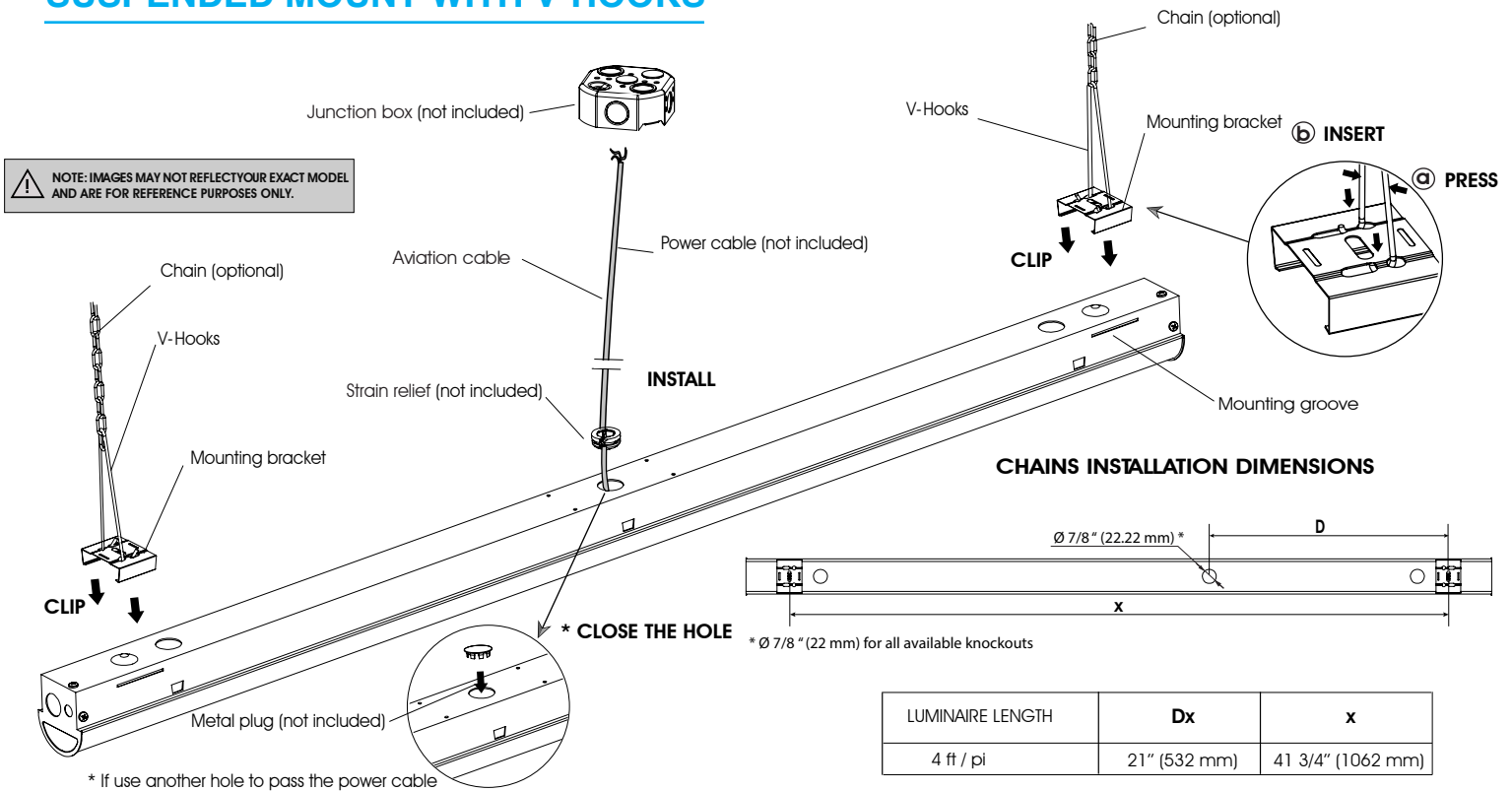
**SUSPENDED MOUNT WITH V-HOOKS (Fig. 2)**

1. Install the two chains (not included) on the ceiling structure (see Fig. 2 CHAINS INSTALLATION DIMENSIONS).
2. Install two V-Hooks on the end of the chains.
3. Install the two V-Hooks on the two brackets by using the existing mounting holes (see Fig. 2 detail).
4. Install the wire guard (optional) on the luminaire as shown in Fig. 6.
5. Clip the luminaire by using the two mounting brackets and the four side grooves of the housing.
6. Make the wire connections inside the housing, by observing the proper polarity (wire connectors not included) as follows: the green wire, connected to the grounding wire, the BLACK wire to the LINE wire and the WHITE wire to the NEUTRAL.

**CAUTION! Carefully push the wire connections into the housing of the luminaire.**

7. Make sure that the power cord is not laying on the top of the luminaire in order to avoid an unbalanced suspension.
8. Secure the power cable with the strain relief (not included).
9. Balance the luminaire if necessary.
10. Turn on the luminaire.

**SUSPENDED MOUNT WITH V-HOOKS**



**CONTINUOUS MOUNT (Fig. 3)**

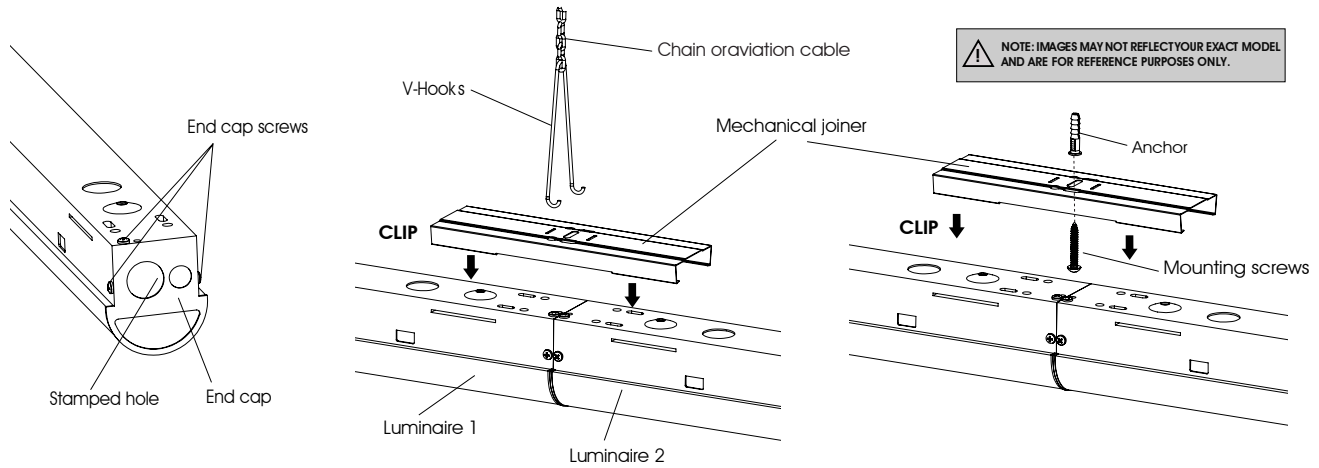
- 1a. For SURFACE MOUNT, install the mechanical joiners on the ceiling by using the anchors and the mounting screws (one anchor and one screw for each joiner). For the end of luminaire chains (continuous installation), install the mounting brackets as shown in Fig. 1.
- 1b. For SUSPENDED MOUNT install the chains (not included) on the ceiling structure. Install the V-Hooks on the end of the chains. Install the mechanical joiners on the V-Hooks. For the end of luminaire chains (continuous installation), install the mounting brackets on the V-Hooks as shown in Fig. 2.
2. Remove the lenses of the luminaires by starting from one end and pressing progressively to the exterior side.
3. Remove the end caps of the luminaires on the extremity by unscrewing the three screws as shown in Fig. 3.
4. Knockout the central holes of the removed end caps and pass the wiring through the holes.
5. Remove the reflector by pulling it outside of the housing and make the electrical wiring between the luminaires by using the quick connector terminal plugs (for LINE and NEUTRAL wires) and wire nut for the ground wire.

**NOTE:** To continuous mount with a luminaire that does not contain a microwave motion sensor, see wiring diagram (Fig. 5).

6. Reinstall the reflector by pressing it inside the housing.
7. Reinstall the end caps by screwing the three screws at the end of each luminaire.
8. Reinstall the lenses by pressing them into the grooves on the housings.
9. Install the wire guards (optional) on the luminaires as shown in Fig. 6.
10. Clip the luminaires into the mechanical joiners and mounting brackets.
11. Apply power.

**NOTE:** For the maximum number of luminaires that can be connected in daisy chain, please contact the supplier..

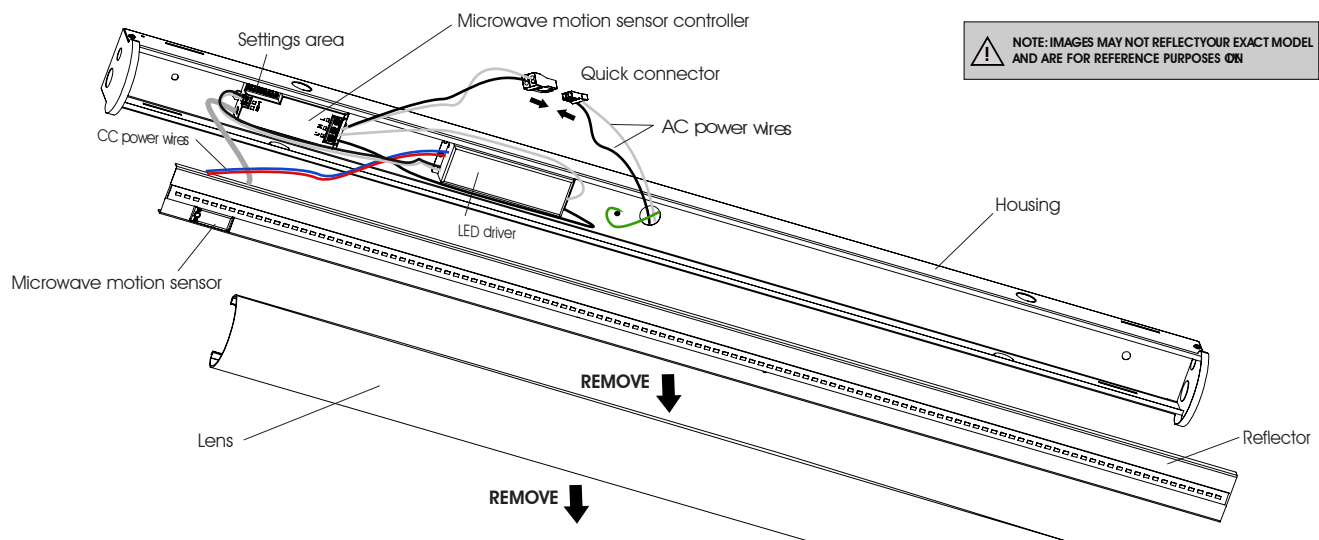
## CONTINUOUS MOUNT



## MICROWAVE MOTION SENSOR SETTINGS (Fig. 4)

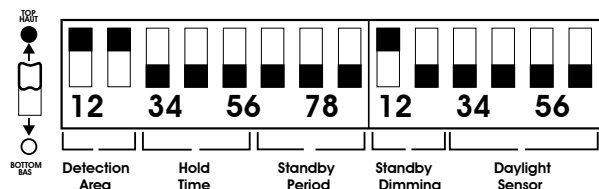
1. Remove the lens of the luminaire.
2. Remove the reflector by pulling and unclipping it from the housing. The reflector will be held by two security cables.
3. Choose the desired settings of microwave motion sensor using the controller (see Fig. 4).
4. Install the reflector by pressing it into the housing clips.
5. Reinstall the lens starting at one side of the housing. Insert the lens slot into the housing edge. Carefully squeeze the diffuser to engage the opposite side with housing. Continue this action along the entire length of the lens until fully installed onto housing.
6. Apply power.

## MICROWAVE MOTION SENSOR SETTINGS



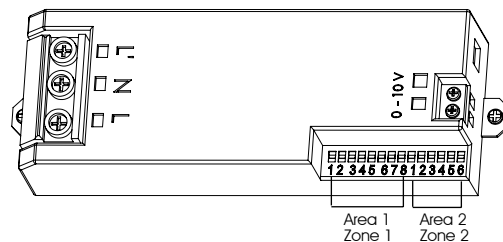
## MICROWAVE MOTION SENSOR SETTINGS

### PROGRAMMING SETTINGS



### DEFAULT PROGRAMMING

Detection Area: 100%
Hold Time: 30 min
Standby period: + ∞
Standby dimming: 20%
Daylight Sensor: Disable



### SENSOR ON-OFF DIMMING SETTING OPTIONS

#### DETECTION AREA (AREA 1)

The detection area can be reduced by selecting the combination on the DIP switches to fit precisely each application.

Options: 100% - 75% - 50% - 25%

	1	2
100%	●	●
75%	●	○
50%	○	●
25%	○	○

Detection Distance	12m x 8m (Max.)
Detection Angle – Wall Mounting	150°
Detection Angle – Ceiling Mounting	360°

#### HOLD TIME (AREA 1)

The time period the luminaire remains at 100% illumination after no motion is detected.

Options: 8s - 30s - 1 min - 5 min - 10 min - 15 min - 30 min

	3	4	5
8 s	●	●	●
30 s	●	○	●
1 min	○	●	●
5 min	●	○	○
10 min	○	●	○
15 min	○	○	●
30 min	○	○	○

#### STANDBY PERIOD (AREA 1)

The time period the luminaire remains at a low light output level before it completely switches off in the long absence of motion. When set to Disable mode, the low light is maintained until motion is detected (Bi-Level).

Options: 0s - 1 min - 3 min - 5 min - 10 min - 30 min - Disable (+ ∞)

Note: "0s" means on/off control;

"+∞" means bi-level dimming control, luminaire never switches off when daylight sensor is disabled.

	6	7	8
0 s	●	●	●
1 min	●	○	●
3 min	○	●	●
5 min	●	○	○
10 min	○	●	○
30 min	○	○	●
+ ∞	○	○	○

#### STANDBY DIMMING LEVEL (AREA 2)

The level of dimmed low light output after the hold time in the long absence of motion.

Options: 10% - 20% - 30% - 40%

	1	2
10%	●	●
20%	●	○
30%	○	●
40%	○	○

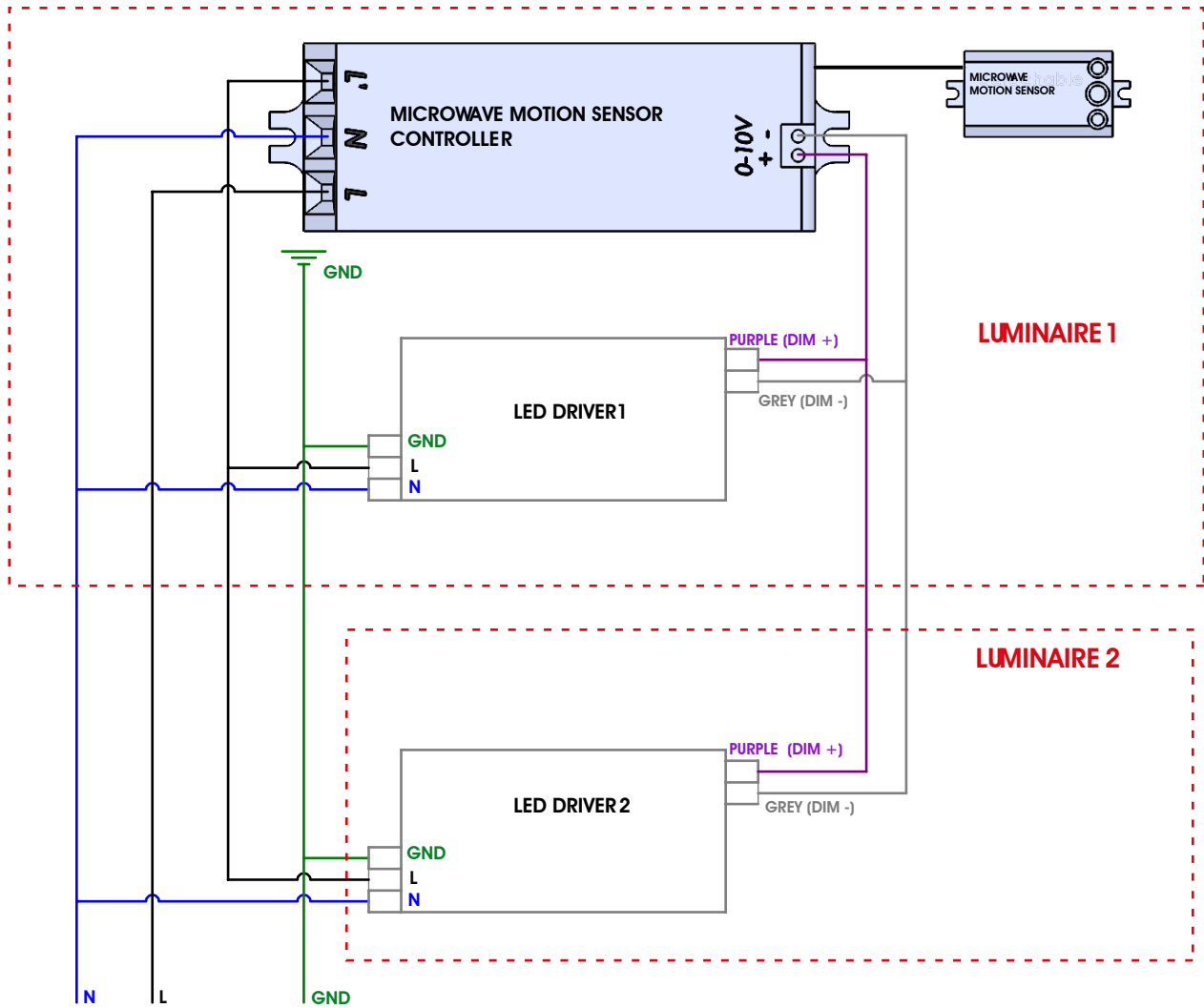
#### DAYLIGHT SENSOR (AREA 2)

The daylight threshold can be captured and configured on the DIP switches to fit a particular application.

Options: 5 lux - 15 lux - 30 lux - 50 lux - 100 lux - 150 lux - Disable (+ ∞)

	3	4	5	6
5 lux	●	●	●	●
15 lux	○	●	●	●
30 lux	●	○	●	●
50 lux	○	○	●	●
100 lux	●	●	○	●
150 lux	●	●	●	○
+ ∞	○	○	○	○

5 WIRING DIAGRAM



6 WIRE GUARD MOUNT (OPTIONAL)

