

BS100 FLUORESCENT LIGHT FIXTURE

- 120VAC or 347VAC 60Hz Input
- High Output T8 or T5 Lamps
- IP66 Weatherproof Rating
- High Efficiency Reflector



MODEL INFORMATION

EACH MODEL NUMBER CONSISTS OF THE FOLLOWING:
SERIES / LAMPS / OPERATION / INPUT VOLTAGE / OPTIONS

SERIES	BS100
LAMPS	2 x 32W 48" T8 fluorescent lamps 2 x 54W 48" T5 fluorescent lamps
OPERATION	HT (AC only electronic ballast) SA (AC & emergency electronic ballast) EM (Emergency only electronic ballast) DB (Dimmable electronic ballast)
INPUT VOLTAGE	120V (120VAC 60Hz input) 347V (347VAC 60Hz input)
OPTIONS	SH (Suspension mount metal hooks)

IMPORTANT SAFEGUARDS

When using electrical equipment, basic safety precautions should always be followed including the following:

READ AND FOLLOW ALL SAFETY INSTRUCTIONS

1. Do not let power cords touch hot surfaces.
2. Do not mount near gas or electric heaters.
3. Always mount equipment in a location where it will not be subjected to tampering by unauthorized personnel.
4. The use of accessory equipment not recommended by BeLuce Canada Inc., may cause an unsafe condition, and will void the unit's warranty.
5. Do not use this equipment for other than its intended purpose.
6. Servicing of this equipment should be performed by qualified service personnel

SAVE THESE INSTRUCTIONS!

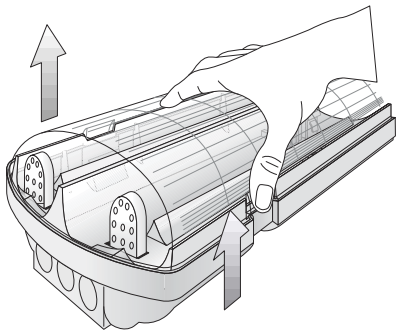
WARNING

No user serviceable parts. Refer service to a qualified service technician. Read instructions prior to installing and/or operating this device. Installation should be performed by a licensed electrician/installer in accordance with local codes.

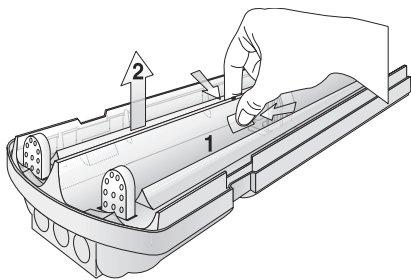
SEE DIAGRAMS BELOW INSTRUCTIONS

1. Open the box and remove the lens from the fixture.
2. Remove the reflector and mounting hardware bag. There are:
 - Eight (8) clips - 4 per side for 4 foot models.
 - Mounting brkt - 2 pcs.
 - Grommets - 2 pcs., Clip hanger -2 pcs.
3. Install the weatherproof electrical connector.
4. Pass AC power wires through conduit hole.
5. Securely mount the fixture hardware provided. The fixture can be snapped onto the hardware as illustrated. Attach lens clips to the body.
6. Connect AC supply and ground as labelled on the provided wire leads. Insulate unused wire!
CAUTION! Failure to insulate unused wire may result in a shock hazard or unsafe condition as well as equipment failure.
7. Replace the reflector.
8. Insert the lamps into the lamp holders and twist to lock them into place. Lamps not supplied.
9. Replace the lens and snap each of the lens clips into place (a "clack" sound is made).
10. Turn on AC voltage.

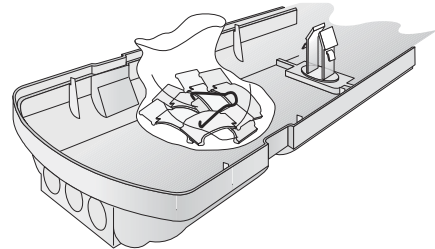
1. REMOVE LENS/DIFFUSER



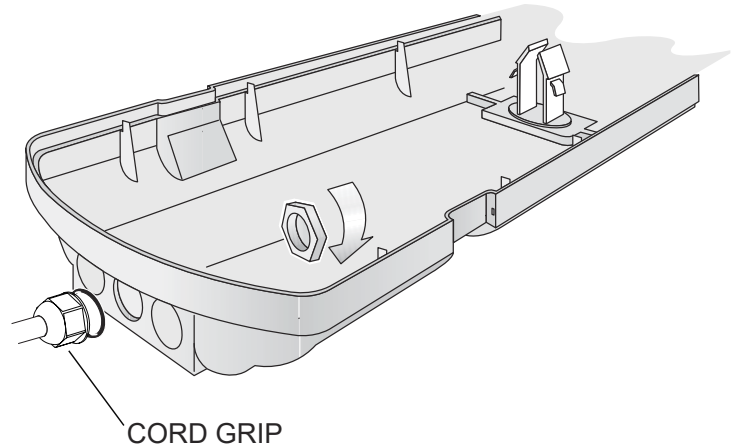
2. REMOVE REFLECTOR



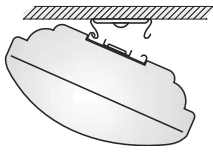
3. REMOVE MOUNTING HARDWARE KIT



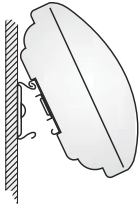
4. INSTALL ELECTRICAL WIRING CONNECTOR



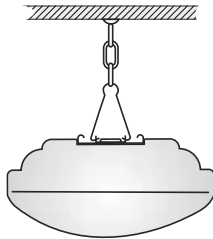
5. MOUNTING CONFIGURATIONS



CEILING MOUNT

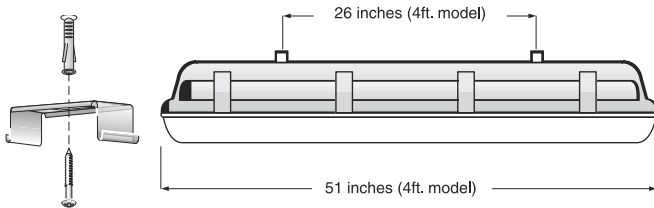


WALL MOUNT

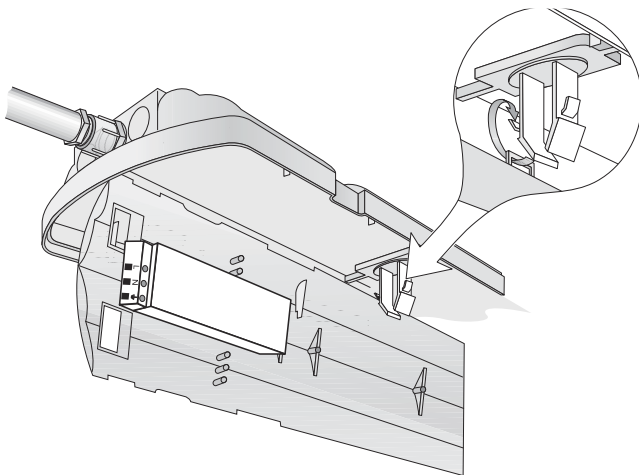


SUSPENSION MOUNT

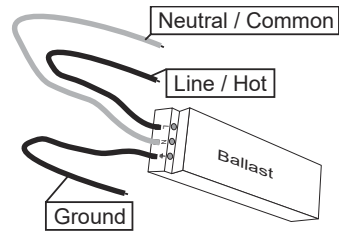
6. INSTALL MOUNTING HARDWARE



7. HANG REFLECTOR FROM INTERNAL CUPS



8. COMPLETE ELECTRICAL CONNECTIONS

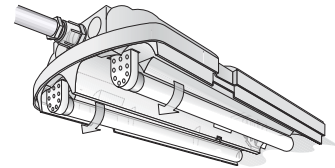


- Labelled wire leads are provided for Line / Hot, Neutral / Common and Ground.
- Labels will indicate the rated input voltage: 120VAC, 277VAC or 347VAC 60Hz.
- Exact ballast and wiring configuration may differ from image above:

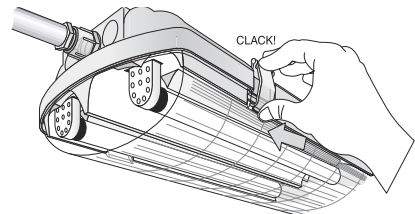
FOLLOW ACTUAL WIRE LABELS.:

Use Ballast Disconnect Connector for Voltages above 150V

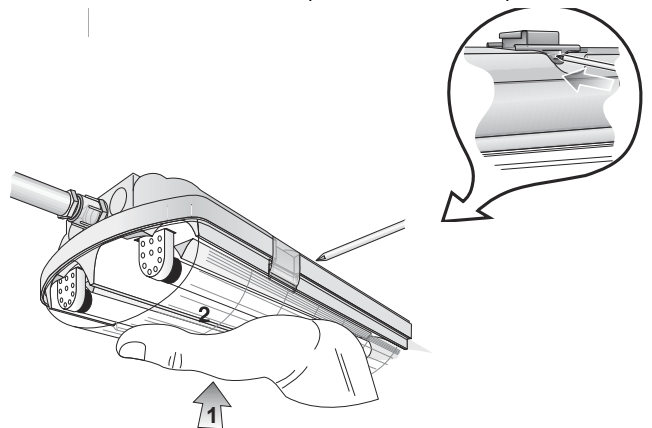
9. INSTALL LAMPS



10. INSTALL LENS / DIFFUSER



11. FIXTURE REMOVAL (IF NECESSARY)



Note: Warranty will be void if installation is done in an atmosphere containing chemicals which are harmful to polycarbonate.

When installing BS100 in cold environments BeLuce recommends the use of expansion joints for installation (not supplied).

CAUTION Fixture Runs interconnected via line cords are limited to a maximum total load of 1200 Watts

