



VE2 COMBO RM

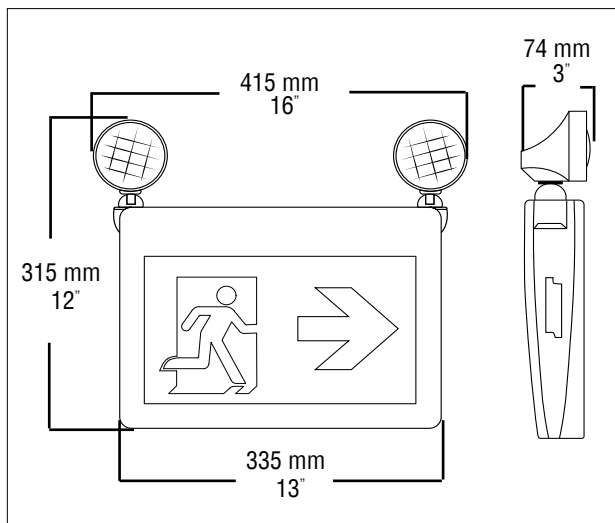
Thermoplastic LED Combo Running Man

Project Name: _____ Model Number: _____
 Prepared By: _____ Date: _____

FEATURES & BENEFITS

- 3W LED heads
- Wall or ceiling
- High-output LED technology
- Thermoplastic housing
- 120 minute run time
- Operating temperature: 5°C to 30°C
- CSA 22.2 No.141-15 Performance Certified

DIMENSIONS



EXTERNAL SPECIFICATIONS

The VE2 COMBO is constructed from durable corrosion and flame resistant thermoplastic. The universal VE2 COMBO comes standard with a mounting canopy, specified pictograms, one backplate and all mounting hardware. The unit comes standard finished in white. An external LED status indicator and test switch is standard.

ELECTRICAL SPECIFICATIONS

The VE2 is configured with high-output LEDs to light the sign and supplied standard with 120-347VAC input. LED technology provides energy savings, long life and even illumination levels. 120-347VAC input, maintenance free, Ni-Cad batteries are protected by an electronic cut-off circuit that prevents overdischarge. External test switch and monitor LED are standard.

BATTERY TECHNOLOGY

Designed with a maintenance free, Ni-Cad batteries providing a minimum emergency duration of 120 minutes. Recharge time of the batteries is 24 hours.

UNIVERSAL PICTOGRAMS

The OLR(Universal) option includes: a pictogram with no directional indicators, a pictogram with a left facing directional indicator and a pictogram with a right facing directional indicator.



ORDERING GUIDE

VE2-C-RM - - - - -

SERIES	LIGHT SOURCE	FACE#	PICTOGRAM	MOUNTING	OPTIONS
VE2-C-RM	L (3W LED)	¹ U (Single)	OLR (Universal pictograms)	M (Universal wall, ceiling or end mount)	WG (Wireguard)

NOTE: ¹ Single face only

PRE-BUILT INVENTORY

ORDERING CODE	SHORT DESCRIPTION	LONG DESCRIPTION
19001021	VE2-C-RM-L-U-OLR-M-120/347V	VE2-C-RM-L-U-OLR-M PLASTIC COMBO 2- 3W LED LAMPS 120-347VAC INPUT UNIVERSAL PICTOGRAMS & MOUNT