

# V2 & V4

LINEAR LED HIGHBAY

Type: \_\_\_\_\_

Project: \_\_\_\_\_

**Delivered Lumens:**  
15,529 - 46,361 lm

**Input Wattage:**  
109W to 323W

**Efficacy:**  
141 lm/W - 143 lm/W

**Colour Temperatures:**  
3500K, 4000K, 5000K

**Projected Lumen Maintenance:**  
L<sub>70</sub> @ 50,000 hrs.



The **VALORE** is a linear LED high bay and is the ideal replacement for 4, 6 and 8 lamp luminaires

**VALORE** is available in 2ft and 4ft versions with lumen packages ranging from 15,000 to 45,000

The **VALORE** is the ideal linear LED high bay for value conscious installations or retro-fit for fluorescent linear high bays in warehouses, aisle lighting for retail big box stores, logistic centers and open ceiling environments

**HOUSING:**

Durable steel construction with corrosion resistant white powder coat (RAL 9010) finish.

**DIMMING:**

0 - 10V dimming is standard (compatible with most dimming systems, contact factory for more information).

**OPERATING TEMPERATURE:**

The ambient operating temperature is -20°C to 40°C.

**POWER LINE/FEED:**

72", 18AWG, 300 / 600V, 5 conductor cord, 1/2" pre-stripped leads for quick in-field connection. AC Input: 120-227V or 347V, 50-60Hz.

**DIFFUSER:**

Polycarbonate frosted lens eliminates glare and provides even light distribution.

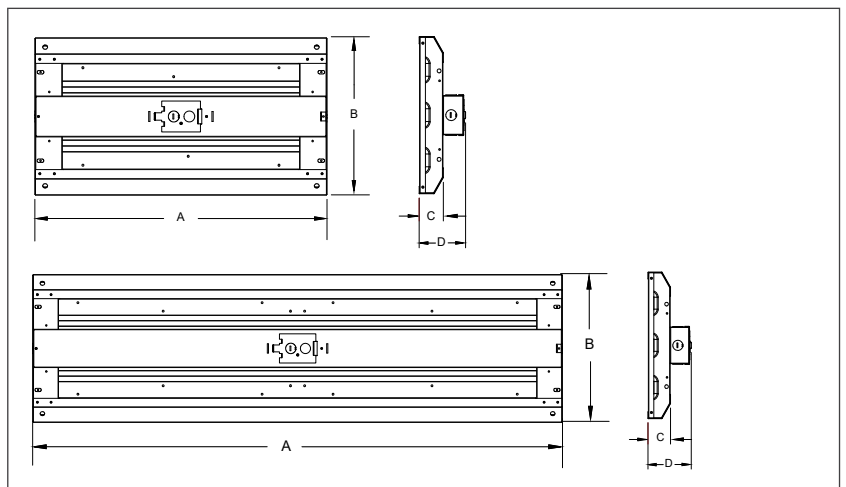
**MOUNTING:**

Unit comes standard with V-clips for dual point chain mount. AC (aviation cable) optional. PK (pendant kit) mount is also available.

Dimension

MODEL	A	B	C	D
V2-LO	605mm (23.8")	320mm (13.8")	50mm (2")	95.9mm (3.8")
V2-HO	605mm (23.8")	440mm (17.3")	50mm (2")	95.9mm (3.8")

MODEL	A	B	C	D
V4-LO	1165mm (45.9")	320mm (13.8")	50mm (2")	95.9mm (3.8")
V4-HO	1165mm (45.9")	440mm (17.3")	50mm (2")	95.9mm (3.8")



## Pre-Built Inventory

ORDERING CODE	SHORT DESCRIPTION	LONG DESCRIPTION
19001031	V2-HO-WT40-120-277V	VALORE LED LUMINAIRE 2 FOOT HO 4000K 165W 120-277V INPUT C/W 6' WHIP 18 /5 SJT 300V CABLE.
19001112	V2-HO-WT40-347V	VALORE LED LUMINAIRE 2 FOOT HO 4000K 165W 347V INPUT C/W 6' BLACK WHIP 18 AWG 5 CONDUCTORS SEOWW 600V 105C CABLE 6' LENGTH( OUTSIDE UNIT) STRIPPED 2.5" WITH 1/2" PARTIAL STRIP AT END
19001301	V2-HO-WT50-120-277V	VALORE LED LUMINAIRE 2 FOOT HO 5000K 165W 120/277V INPUT C/W 6' WHIP 18 /5 SJT 300V CABLE.
19001305	V2-HO-WT50-347V	VALORE LED LUMINAIRE 2 FOOT HO 5000K 165W 347V INPUT C/W 6' BLACK WHIP 18 AWG 5 CONDUCTORS SEOWW 600V 105C CABLE 6' LENGTH( OUTSIDE UNIT) STRIPPED 2.5" WITH 1/2" PARTIAL STRIP AT END
19001309	V2-LO-WT40-120-277V	VALORE LED LUMINAIRE 2 FOOT LO 4000K 110W 120-277V INPUT C/W 6' WHIP 18 /5 SJT 300V CABLE.
19001300	V2-LO-WT50-120-277V	VALORE LED LUMINAIRE 2 FOOT LO 5000K 110W 120-277V INPUT C/W 6' WHIP 18 /5 SJT 300V CABLE.
19001304	V2-LO-WT50-347V	VALORE LED LUMINAIRE 2 FOOT LO 5000K 110W 347V INPUT C/W 6' BLACK WHIP 18 AWG 5 CONDUCTORS SEOWW 600V 105C CABLE 6' LENGTH( OUTSIDE UNIT) STRIPPED 2.5" WITH 1/2" PARTIAL STRIP AT END
19001310	V4-HO-WT40-120-277V	VALORE LED LUMINAIRE 4 FOOT HO 4000K 325W 120-277V INPUT C/W 6' BLACK WHIP 18 AWG 5 CONDUCTORS SJT 300V CABLE 6' LENGTH STRIPPED 2.5" WITH 1/2" PARTIAL STRIP AT END
19001308	V4-HO-WT40-347V-6'WHIP	VALORE LED LUMINAIRE 4 FOOT HO 4000K 325W 347V INPUT C/W 6' BLACK WHIP 18 AWG 5 CONDUCTORS SEOWW 600V 105C CABLE 6' LENGTH( OUTSIDE UNIT) STRIPPED 2.5" WITH 1/2" PARTIAL STRIP AT END
19001303	V4-HO-WT50-120-277V	VALORE LED LUMINAIRE 4 FOOT HO 5000K 325W 120-277V INPUT C/W 6' BLACK WHIP 18 AWG 5 CONDUCTORS SJT 300V CABLE 6' LENGTH STRIPPED 2.5" WITH 1/2" PARTIAL STRIP AT END
19001307	V4-HO-WT50-347V	VALORE LED LUMINAIRE 4 FOOT HO 5000K 325W 347V INPUT C/W 6' BLACK WHIP 18 AWG 5 CONDUCTORS SEOWW 600V 105C CABLE 6' LENGTH( OUTSIDE UNIT) STRIPPED 2.5" WITH 1/2" PARTIAL STRIP AT END
19001098	V4-LO-WT40-120-277V-6'WHIP	VALORE LED LUMINAIRE 4 FOOT LO 4000K 225W 120-277V INPUT C/W 6' BLACK WHIP 18 AWG 5 CONDUCTORS SJT 300V CABLE 6' LENGTH STRIPPED 2.5" WITH 1/2" PARTIAL STRIP AT END
19001111	V4-LO-WT40-347V-6'WHIP	VALORE LED LUMINAIRE 4 FOOT LO 4000K 225W 347V INPUT C/W 6' BLACK WHIP 18 AWG 5 CONDUCTORS SEOWW 600V 105C CABLE 6' LENGTH STRIPPED 2.5" WITH 1/2" PARTIAL STRIP AT END
19001302	V4-LO-WT50-120-277V	VALORE LED LUMINAIRE 4 FOOT LO 5000K 225W 120-277V INPUT C/W 6' BLACK WHIP 18 AWG 5 CONDUCTORS SJT 300V CABLE 6' LENGTH STRIPPED 2.5" WITH 1/2" PARTIAL STRIP AT END
19001306	V4-LO-WT50-347V	VALORE LED LUMINAIRE 4 FOOT LO 5000K 225W 347V INPUT C/W 6' BLACK WHIP 18 AWG 5 CONDUCTORS SEOWW 600V 105C CABLE 6' LENGTH STRIPPED 2.5" WITH 1/2" PARTIAL STRIP AT END

## Energy Chart

MODEL	EFFICACY	WATTAGE	LUMEN OUTPUT	CRI	*L70 HOURS
V2-LO-WT35-120-277V	141 lm/W	109	15,529	84	50,000+
V2-LO-WT40-120-277V	143 lm/W	110	15,792	84	50,000+
V2-LO-WT50-120-277V	149 lm/W	110	16,406	84	50,000+
V2-HO-WT35-120-277V	132 lm/W	167	22,247	83	50,000+
V2-HO-WT40-120-277V	135 lm/W	168	22,616	85	50,000+
V2-HO-WT50-120-277V	135 lm/W	167	22,624	85	50,000+
V4-LO-WT35-120-277V	134 lm/W	226	30,315	83	50,000+
V4-LO-WT40-120-277V	135 lm/W	228	30,809	85	50,000+
V4-LO-WT50-120-277V	136 lm/W	228	31,288	85	50,000+
V4-HO-WT35-120-277V	140 lm/W	323	44,959	83	50,000+
V4-HO-WT40-120-277V	143 lm/W	323	45,851	85	50,000+
V4-HO-WT50-120-277V	143 lm/W	323	46,361	85	50,000+

Valore

