



UNIKO COMBO RM

Die-cast Running Man Combo

Project Name: _____ Model Number: _____
 Prepared By: _____ Date: _____

FEATURES & BENEFITS

- Wall or pendant mounting
- High-output 3W LED; 394 lm output
- Die-cast housing
- Mounts away from the wall to give the illusion of floating
- Thin profile
- Fully automatic current limited charger with solid state line latched low voltage disconnect protection
- Operating temperature: +10°C to +40°C
- CSA 22.2 No. 141-15 Performance Certified

ELECTRICAL SPECIFICATIONS

The UNIKO COMBO is configured with high-output LEDs to light the sign and supplied standard with 120/277/347VAC input. High output LED technology provides energy savings, long life and even illumination levels. 120/277/347VAC input, maintenance free, lead calcium batteries are protected by an electronic cut-off circuit that prevents over discharge. External test switch and monitor LED are standard.

BATTERY TECHNOLOGY

The UNIKO COMBO is designed with a maintenance free, lead calcium batteries providing emergency lighting duration of 30 minutes. Recharge time of the batteries is 24 hours.

BELUCE AUTO-TEST (AT)

The system automatically performs one 5 minute discharge test monthly and every 6 months it performs two 30 minute discharge tests, 24 hours apart. This tests both full battery capacity and recharge capability.

MODEL RATING GUIDE

MODEL	WATTAGE RATING		
	30MIN	90MIN	120MIN
UKO-RM-636	36	12	6

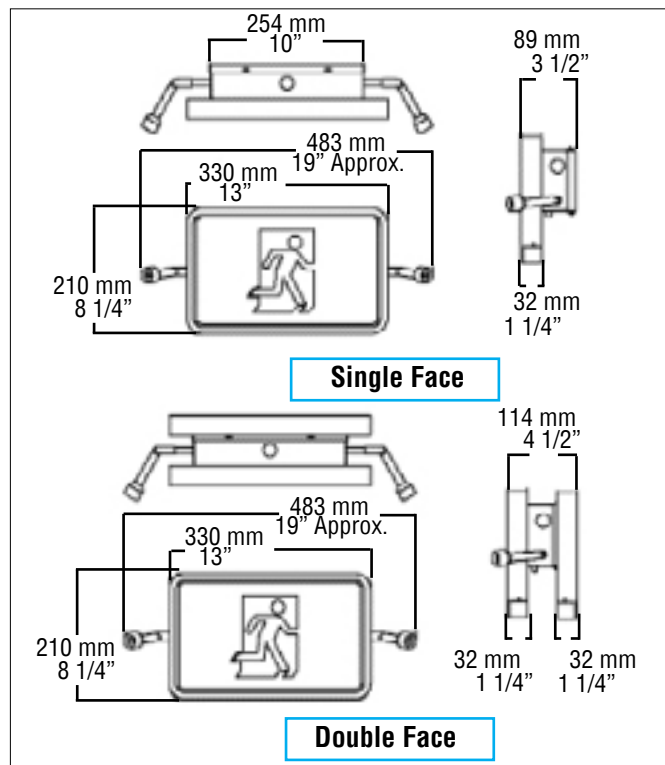
ORDERING GUIDE

UKO-RM - - - -

SERIES	VOLTS	LIGHT SOURCE	FACE#	PICTOGRAM	OPTIONS
UKO-RM	6-36	L (LED)	1 (single) 2 (double)	OLR (pictogrammes universels) O (sans indicateur) L (indicateur à gauche) R (indicateur à droite) D (indicateur en bas) U (indicateur en haut) UR (45° en haut à droite) DR (45° en bas à droite) UL (45° en haut à gauche) DL (45° en bas à gauche)	AT (Auto-test) SW (Special wording - specify) WG (Wireguard) PK (Pendant kit - specify length)

NOTE: 1 Two pictograms or OLR must be ordered, pendant mount only.

DIMENSIONS



UNIVERSAL PICTOGRAMS

The OLR (Universal) option includes: a pictogram with no directional indicators, a pictogram with a left facing directional indicator and a pictogram with a right facing directional indicator.

