



TEMPESTA® LED

17W LED Surface or Recessed

Project Name: _____

Model Number: _____

Prepared By: _____

Date: _____

FEATURES & BENEFITS

- 17W LED
- Auto-test diagnostics are optional
- Wet location / IP65 rated
- Surface or recessed ceiling or wall mounting
- Vandal resistant latch clips
- 5kV at 10kA using 8/20µs standard wave according to IEEE c62.41 2002 High
- High-efficiency Samsung LEDs rated for 100,000 hours at L70
- Available in Remotes section
- CSA 22.2 No. 141-15 performance certified

BATTERY TECHNOLOGY

The TEMPESTA™ LED EM and ACEM versions come standard with a Ni-MH battery pack that provides a minimum of 30 minutes emergency duration. Optional 120 minute Ni-MH batteries are available.

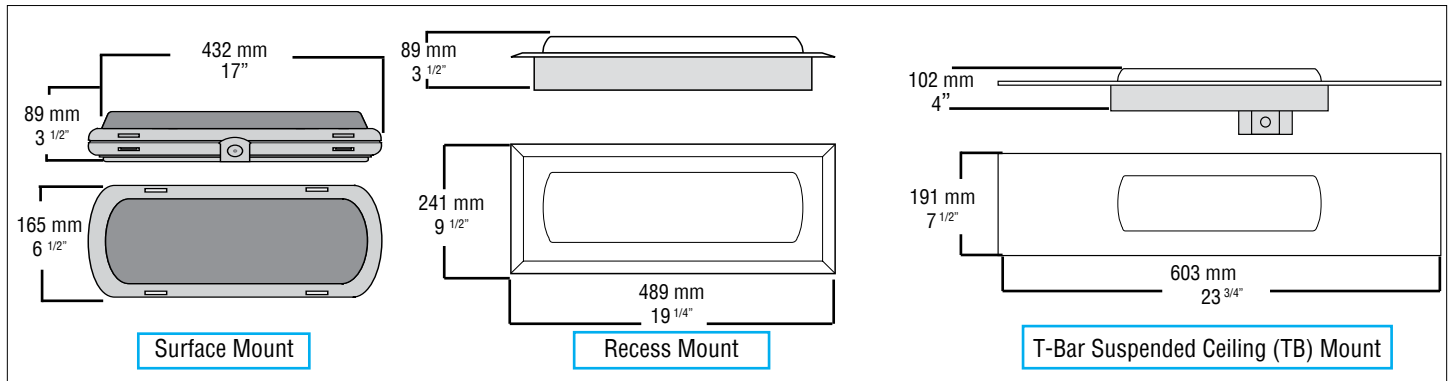
OPERATION

Under the EM operation, the unit is normally-off and will illuminate under an AC failure only. Under AC only operation, the unit is normally-on and does not illuminate under an AC failure. ACEM is normally-on under normally utility power and the charging circuit maintains the battery at full capacity. The unit may be switched on/off by the built-in 2-wire wall switch control. When AC power fails the unit will automatically provide emergency light regardless of the position of the switch.

BELUCE AUTO-TEST (AT)

The BeLuce auto-test system automatically performs one 5 minute discharge test monthly and every 6 months it performs two 30 minute discharge tests, 24 hours apart. This tests both full battery capacity and recharge capability.

DIMENSIONS



AC INPUT RATINGS

OPERATION	VOLTAGE (VAC)	WATTAGE (W)	RATED CURRENT (A)	LUMEN OUTPUT (LM)
AC Only	120/277/347	15.1/15.4/15.7	0.30/0.20/0.15	1937
ACEM	120/277/347	22.0/22.2/23.5	0.40/0.25/0.20	1384/1990
EM	120/277/347	5.8/6.3/7.0	0.15/0.10/0.08	1990

ORDERING GUIDE

TA-LED - - - -

SERIES	OPERATION	INPUT VOLTAGE	MOUNTING	OPTIONS
TA-LED	EM (Emergency / AC fail only) AC (Normally on) ACEM(Normally on-switichable / EM backup)	120-347V (120 to 347VAC input)	S (Surface wall/ceiling) R (Recessed wall/ceiling) TB (T-bar mount)	² AT (Auto-test) ² 120SP (120 min. emergency) ¹ SURG (5 kV at 10kA surge protection) ³ WG (wire guard)

NOTE: ¹Available with 120-277V or 347V. ²EM and ACEM only. ³Use accessory# 50001110.

