



STELLA RM ECO COMBO

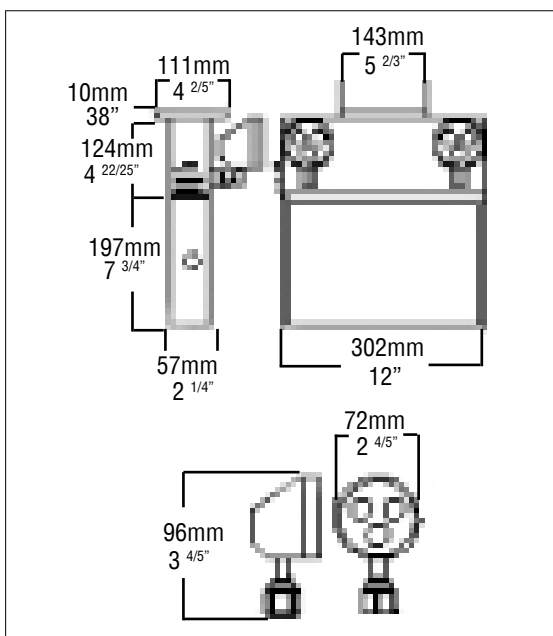
Steel LED Running Man Combo

Project Name: _____ Model Number: _____
 Prepared By: _____ Date: _____

FEATURES & BENEFITS

- Wall, ceiling or end mounting
- Input voltage: 120 or 347 VAC
- High-output LED technology
- 6V 27W capacity (4+ hours, 2W x 2)
- 6V 36W capacity (4+ hour, 2W x 2)
- 12V 72W capacity (8+ hours, 2.5W x 2)
- 20 gauge steel housing
- Operating temperature: +10°C to +25°C
- CSA 22.2 No. 141-15 Performance Certified

DIMENSIONS



EXTERNAL SPECIFICATIONS

The STELLA RM ECO COMBO is constructed from durable 20 gauge steel with standard white baked powder coat finish. Universal mounting pattern and key hole slots are stamped into the backplate. Standard external LED status indicators and push button test switch. Heads are molded from high impact thermoplastic in a matching colour; SRE PAR18 standard.

BATTERY TECHNOLOGY

Designed with a maintenance free, valve regulated sealed lead-acid battery providing emergency lighting duration as specified per unit. Recharge time of the battery is 24 hours.

UNIVERSAL PICTOGRAMS

The OLR(Universal) option includes: a pictogram with no directional indicators, a pictogram with a left facing directional indicator and a pictogram with a right facing directional indicator.



MODEL RATING GUIDE

MODEL	WATTAGE RATING			
	30MIN	60MIN	90MIN	120MIN
SL-RME-627	27	12	10	8
SL-RME-636	36	18	12	9
SL-RME-1272	72	36	24	18

LAMP SELECTION

	LAMP
SL-RME-627	2, 3 W
SL-RME-636	2, 3 W
SL-RME-1272	2.5, 3 W

ORDERING GUIDE

SL-RME _ - - - - -

SERIES	WATTS	PICTOGRAM	MOUNTING	HEADS	LAMP	OPTIONS
SL-RME	627 636 1272	OLR (Universal pictograms)	M (Universal mount)	2SRE (PAR18 small, two heads)	See lamp selection	E (120/277V input)

PRE-BUILT INVENTORY

ORDERING CODE	SHORT DESCRIPTION	LONG DESCRIPTION
10204127	SL-RME-627-OLR-M-2SRE-2WLED	STELLA ECO RUNNING MAN COMBO 6V 27W 2 SRE 2W LED HEADS 120347V INPUT
10203992	SL-RME-636-OLR-M-2SRE-3WLED	STELLA ECO RUNNING MAN COMBO 6V 36W 2 SRE 3W LED HEADS 120347V INPUT