



SR - PAR18

Small Style Emergency Remote



LED MR-16



LED MODULE

Project Name: _____

Model Number: _____

Prepared By: _____

Date: _____

FEATURES & BENEFITS

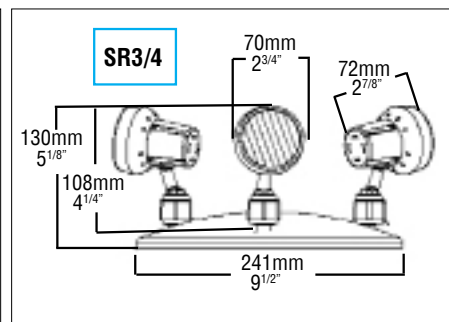
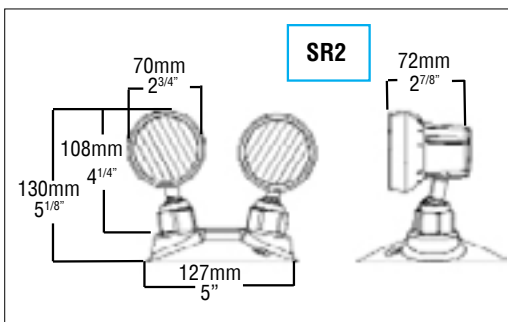
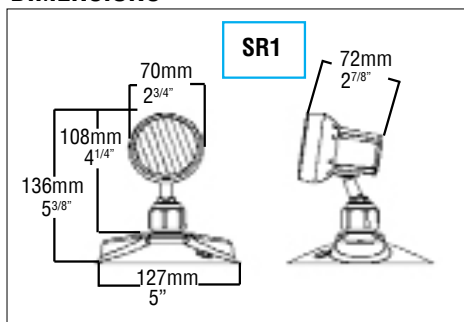
- Corrosion, flame resistant thermoplastic
- PAR18 or MR16 halogen or LED lamps or universal 3W LED module
- Innovative rotary locking collar
- Tool-less adjustable swivel locks head in place
- Matching canopy to fit standard junction boxes
- Operating temperature: -20°C to +40°C
- Also available with 2, 3 and 4 heads
- Supplied standard in colour white, black optional
- CSA 22.2 No. 141-15 Performance Certified

5W LED LAMP FOR STOCK

The 5W LED lamp is available in 6-24V.

To stock one LED model for all voltages, use this model number:
SR-1-6/12/24V-5WLED

DIMENSIONS



ORDERING GUIDE

SR - -

SERIES	HEAD	VOLTAGE	OPTIONS
SR	1 (Single head) 2 (Double head) 3 (Triple head) 4 (Quad head)	See lamp selection	LC (Less canopy) BLK (Black housing)

LAMP SELECTION

	6V	12V	24V	12V – 24V
Composite Tungsten	7.2, 9W	9, 12, 18W	9, 18 (25W, PAR36 only)	N/A
Quartz (Q)	12W	12, 20W	N/A	N/A
LED-MR16	5, 7W	2, 5, 7W	5, 7W	5, 7W
LED Module*	2, 3, 4W	2, 3, 4W	N/A	N/A

*single or double heads only



SR - PAR18

Small Style Emergency Remote



LED MR-16



LED MODULE

PRE-BUILT INVENTORY

ORDERING CODE	SHORT DESCRIPTION	LONG DESCRIPTION
13010144	SR1 6/12/24V 5WLED WHT	PAR18 WHITE SINGLE REMOTE 6/12/24V 5W LED MR16 LAMP
13010143	SR2 6/12/24V 5WLED WHT	PAR18 WHITE DOUBLE REMOTE 6/12/24V 5W LED MR16 LAMPS
13010177	SR-1-6-12V-3WLED	SR SINGLE HEAD 6-12V 3W LED MODULES
13010176	SR-1-6V-2WLED	SR SINGLE HEAD 6V 2W LED MODULES
13010179	SR-2-6-12V-3WLED	SR DOUBLE HEAD 6-12V 3W LED MODULES
13010178	SR-2-6V-2WLED	SR DOUBLE HEAD 6V 2W LED MODULES