

SL3C

SWITCHABLE LED STRIP

Type: _____

Project: _____

Delivered Lumens:
2,592 - 5,280 lm

Input Wattage:
18 - 40W

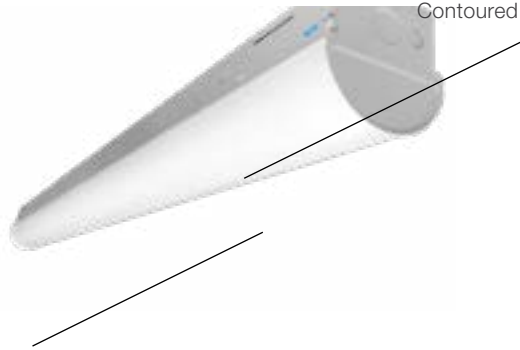
Efficacy:
132-144 lm/W

Colour Temperatures:
3500K, 4000K, 5000K

CRI:
82

Projected Lumen Maintenance:
L₇₀ @ 190,000 hrs.

Sleek design ideal for installation in tight spaces. Suitable for damp locations.



Contoured frosted PMMA diffuser.

Enclosed lens prevents penetration of dust, insects, and other debris into the LED compartment.

The **SL3C** LED strip lights have been designed to prevent energy loss and to increase energy savings by allowing the end-user to sensibly manage the degree of luminosity in applications or spaces that require continuous lighting, such as hallways and common areas.

Configurations

MODEL	LENGTH	OPERATION	LUMENS	COLOUR TEMP	INPUT	MOUNTING
SL3C	4 (ft)	PS (Power Select)	See table below	3500K / 4000K / 5000K	M (120-347V)	[Blank] Surface Mount with V-Hook

DLC PRODUCT ID: SL3C-4PS40-M (Premium: S-A2Y0XQ/Standard: PL9CWWC00RCA)

Pre-Built Inventory

ORDERING CODE	SHORT DESCRIPTION	LONG DESCRIPTION
19001797	SL3C-4PS40-M	4FT LED POWER SELECTABLE STRIP 18W/30W/40W AND 3CCT SELECT 120-347V SURFACE MOUNT WITH V-HOOK

Accessories

ORDER CODE	DESCRIPTION
50001060	Continuous row mounting aligner for suspended installation
50001075	Replacement lens 48"
50001018	Wireguard kit 48"

Lumen Specification Table

MODEL	WATTS (W)	3 500 K		4 000 K		5 000 K	
		LUMEN OUTPUT (LM)	EFFICIENCY (LM/W)	LUMEN OUTPUT (LM)	EFFICIENCY (LM/W)	LUMEN OUTPUT (LM)	EFFICIENCY (LM/W)
SL3C-4PS40-M	18	2 592	144	2 610	145	2 628	146
	30	4 140	138	4 170	139	4 200	140
	40	5 280	132	5 320	133	5 360	134

DEFAULT PROGRAMMING: 4000K

SL3C Switchable LED Strip

HOUSING:

24 gauge white powder painted steel housing. Sleek, compact design for installation in tight spaces.

ELECTRICAL:

Available in 3500K, 4000K, 5000K. High efficiency driver operates 120V through 347V.

L70 at 190,000 hours.

OPERATING TEMPERATURE:

-20°C to 50°C

MOUNTING:

- Surface mount, suspended, or row mounted (see accessories).
- V-Hooks, canopy plate for octagonal junction box, and mounting brackets are included.

DIMMING:

Default programming has standby dimming at 20%. 0-10V dimming.

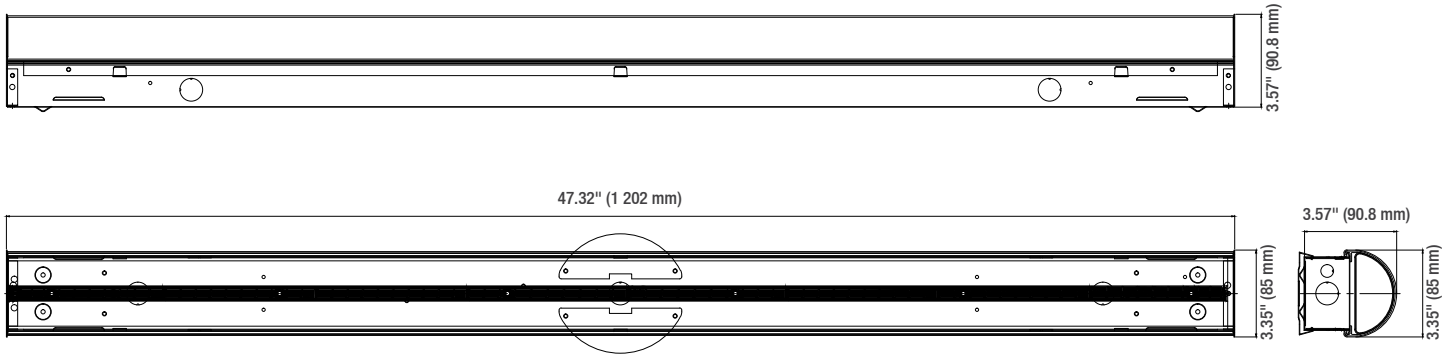
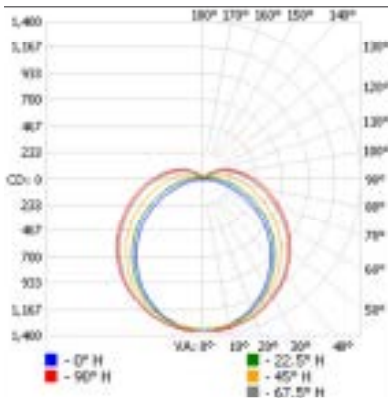
WEIGHT:

6.3 lbs. / 2.9 kg.

WARRANTY:

5 year LED warranty, see website for full warranty details.

Dimensions

**SL3C-4PS40-M****Luminous Intensity Distribution****Zonal Lumen Summary**

ZONE	LUMENS	% LUMINAIRE
0-30	1063	20%
0-40	1758	33%
0-60	3223	61%
60-90	1469	28%
70-100	1097	21%
90-120	516	10%
0-90	4692	88%
90-180	625	12%
0-180	5316	100%