



SICURA REMOTE

Hazardous Remote

Project Name: _____

Model Number: _____

Prepared By: _____

Date: _____

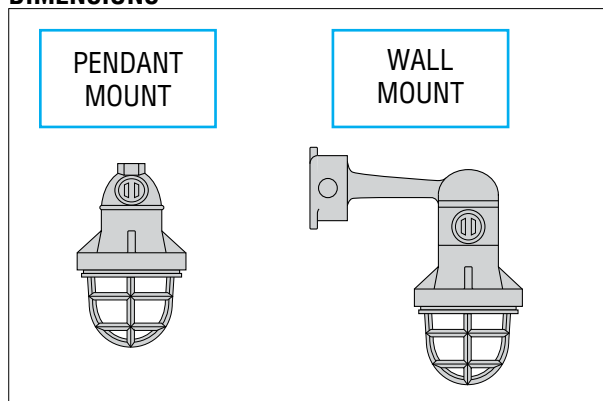
FEATURES & BENEFITS

- Corrosion resistant heavy-duty cast aluminum housing
- Class I, Div 1 Groups B,C,D Class I, Div 2 Groups A,B,C,D Class II, Div 1&2 Groups E,F,G Class III, Div 1&2
- Surface wall, ceiling or pendant mount
- One or two heads and lamps
- Hazardous location certified
- CSA 22.2 No. 141-15 Performance Certified

HAZARDOUS CODE CHART

LOCATION	CODE
Class 1, Division 1, Group B	C1D1GB
Class 1, Division 1, Group C & D	C1D1GCD
Class 1, Division 2, Group A, B, C & D	C1D2GABCD
Class 2, Division 1, Group E, F & G	C2D1GEFG
Class 2, Division 2, Group E, F & G	C2D2GEFG
Class III, Divisions 1 & 2	C3D12

DIMENSIONS



Call factory for dimensions

TEMPERATURE CODES

TEMPERATURE CODES CLASS I, DIV. 1			
Lamp	4 Watt LED	5 Watt LED	20Watt Quartz Halogen
T Code	T6	T6	T4A
TEMPERATURE CODES CLASS 1, DIV. 2			
Lamp	4 Watt LED	5 Watt LED	20Watt Quartz Halogen
T Code	T4A	T4A	T1

ORDERING GUIDE

HDZ-RMT - - - - -

SERIES	HAZARD CODE	FIXTURE TYPE	# OF LAMPS & REFLECTORS	MOUNTING	LAMP TYPE	OPTIONS
HDZ-RMT (Remote)	See hazard chart	1XF (Single remote) 2XF (Double globe w/ junction box)	1 (Single) 2 (Double)	W (Wall mount) P (Pendant mount)	See lamp guide above	WG (Cast wireguard)

NOTE: ¹LED is available in single lamp only

LAMP SELECTION

	6V	12V	24V	120VAC
Quartz (Q)	12W	12, 20 (55W PAR36 only)	N/A	N/A
LED (LED)	N/A	4W	4W	5W

NOTE: LED only available in single lamp