



ROBUSTO UNIT

Hazardous Battery Unit

Project Name: _____ Model Number: _____
 Prepared By: _____ Date: _____

FEATURES & BENEFITS

- 6 or 12V up to 180W
- Fully gasketed NEMA 4X housing
- Hazardous location certified for Class I, Div. 2, Groups A-D, Temperature T2B Code
- Durable and corrosion resistant fiberglass
- High-efficiency two stage charger
- Magnetic test switch
- Weather proof PAR36 heads are standard
- Standard with 120/347VAC input
- CSA 22.2 No. 141-15 and C22.2 No. 137M performance certified

BATTERY TECHNOLOGY

Designed with maintenance free, sealed lead acid batteries providing a minimum emergency duration of 30 minutes. Ni-Cd batteries are optional. Recharge time of the battery is 24 hours. The maximum battery operating temperature is +40°C and the minimum is +10°C.

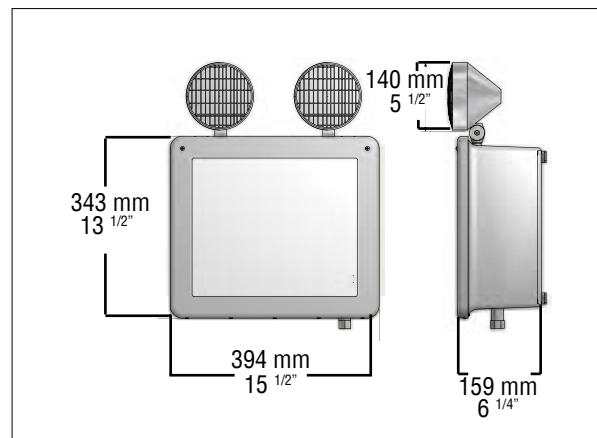
BELUCE AUTO-TEST (AT)

The BeLuCe auto-test system automatically performs one 5 minute discharge test monthly and every 6 months it performs two 30 minute discharge tests, 24 hours apart. This tests both full battery capacity and recharge capability.

MODEL RATING GUIDE

MODEL	VOLTAGE (OUTPUT)	VOLTAGE 30MIN
RBO-U-6-36	6	36
RBO-U-6-50	6	50
RBO-U-6-50-NC	6	50
RBO-U-6-80	6	80
RBO-U-6-90	6	90
RBO-U-6-100-NC	6	100
RBO-U-6-160	6	160
RBO-U-6-180-NC	6	180
RBO-U-12-36	12	36
RBO-U-12-50	12	50
RBO-U-12-72	12	72
RBO-U-12-90	12	90
RBO-U-12-100-NC	12	100
RBO-U-12-120	12	120
RBO-U-12-150	12	150
RBO-U-12-180	12	180
RBO-U-12-200-NC	12	200

DIMENSIONS



LAMP SELECTION	6V	12V
Composite Tungsten	7.2, 9W	9, 12, 18W
Sealed Beam	N/A	6W

(ONLY PAR36 STYLE HEADS AVAILABLE)

ORDERING GUIDE

RBO-U - - - - -

SERIES	OPERATION	CAPACITY	MOUNTING	HEADS	LAMP TYPE	OPTIONS
RBO-U	6 (Volt DC) 12 (Volt DC)	See model rating guide	W (Wall)	0 1LRWP 2LRWP 3LRWP 4LRWP	See lamp selection	NC (Ni-Cd batteries, see guide) WG (Wireguard) AT (Auto-test) SM (Side mount heads) TP (Tamper proof) ¹ TD (Time delay - specify 5, 10, 20 mins) A (Ammeter) V (Voltmeter) ² FAI (Fire alarm interface - specify)

NOTE: ¹Specify AC input voltage ²Specify open/closed/6-24 VAC