



QUADRA 3-SIDED RM

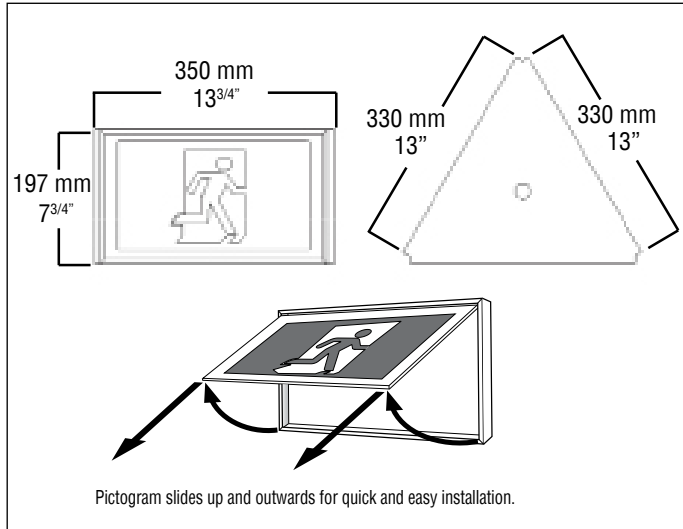
Extruded Aluminum 3-Sided RM

Project Name: _____ Model Number: _____
 Prepared By: _____ Date: _____

FEATURES & BENEFITS

- Wall mount recessed mounting
- High-output LED technology
- Extruded aluminum frame
- AC Only, Self-Powered or Universal DC
- GSA 22.2 No. 141-15 Performance Certified

DIMENSIONS



EXTERNAL SPECIFICATIONS

The QUADRA is constructed from durable extruded aluminum. The QUADRA comes standard with a white baked powder coat finish. Available in custom epoxy based powder coat finishes (please specify). Single, double or triple face versions must be specified. The self-powered version comes standard with an external LED status indicator and test switch.

INTERNAL SPECIFICATIONS

AC ONLY and SELF-POWERED: comes standard configured with high-output LED technology and 120/347VAC input. Nickel-cadmium batteries provide a minimum 30 minutes of emergency duration. Solid state charger & transfer. If an AC generator is used to back up the signs, a surge suppression device is recommended to protect the entire emergency circuit.

BATTERY TECHNOLOGY

The QUADRA-SP is designed with a maintenance free, nickel-cadmium battery providing a minimum emergency duration of 30 minutes. Recharge time of the battery is 24 hours.

UNIVERSAL PICTOGRAMS

The OLR (Universal) option includes: a pictogram with no directional indicators, a pictogram with a left facing directional indicator and a pictogram with a right facing directional indicator.



ORDERING GUIDE

QR3-RM - - - - -

SERIES	OPERATION	LIGHT SOURCE	FACE#	PICTOGRAM	MOUNTING	OPTIONS
QR3-RM	Blank (AC only) SP (Self-powered)	L (LED)	1 (Single) 2 (Double) 3 (Triple)	OLR (Universal pictograms) 0 (No indicators) L (Left indicator) R (Right indicator) D (Down indicator) U (Up indicator) UR (45° up right) DR (45° down right) UL (45° up left) DL (45° down left)	W (wall mount, double face) 2 P (pendant)	CC (custom colour - specify) BA (Brushed aluminum finish) PK12 (12" pendant kit) UDC (Universal DC circuit 6 - 24VDC) 90SP (90 min. emergency) 120SP (120 min. emergency) TP (Tamperproof screws) AN (Anodized finish) 3 120VDC (Specify 2 or 4 wires) 4 FAI (Fire alarm interface - specify) SW-OL (RM no indicator, left)

NOTE: ¹Two or three pictograms must be ordered - specify; ²Pendant kit sold separately; ³with 120VAC only; ⁴Specify open/closed/6-24 VDC