



PREZZO BATTERY UNIT

6V Steel Battery Unit

Project Name: _____ Model Number: _____
 Prepared By: _____ Date: _____

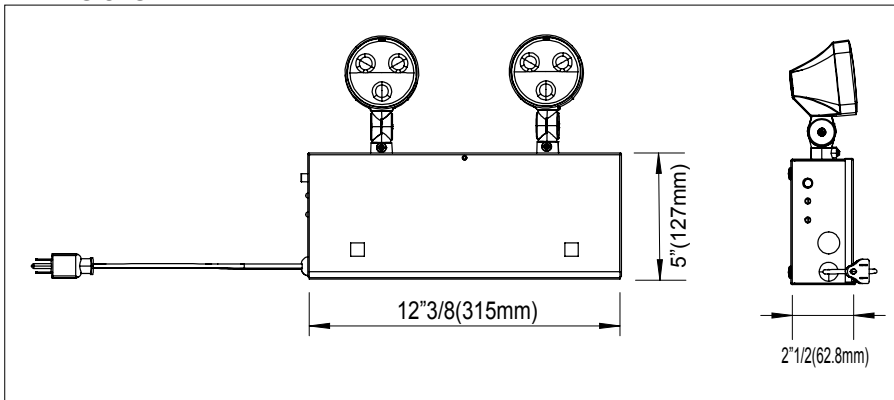
FEATURES & BENEFITS

- 120-347 VAC 60 Hz input
- 6 VDC 27W emergency power output versions
- Momentary push button test switch
- Pilot LED for AC ON and CHARGE
- Fully automatic, current limiter charger
- Solid state design and construction
- Complete battery recharge in 24 hours
- Maintenance free, sealed lead acid battery
- Wire connexions provided for remote load
- Meets requirements of ICES-005
- CSA 22.2 No. 141-15 Performance Certified

MECHANICAL

- 20 gauge steel construction
- 120 VAC line cord supplied loose in the box
- Universal spider knockout pattern and keyhole mounting slots stamped into back of cabinet
- Multiple conduit entry knockouts
- White powder coat finish

DIMENSIONS



PRE-BUILT INVENTORY

ORDERING CODE	SHORT DESCRIPTION	LONG DESCRIPTION
19000037	PZ-627-2PR-2WLED	PREZZO STEEL BATTERY UNIT 6V 27W 2PR 2W LED HEADS WHITE FINISH 120-347VAC INPUT

MODEL RATING GUIDE

MODEL	VOLTS(V)	WATTAGE CAPACITIES (W)			
		30MIN	60MIN	90MIN	120MIN
PZ-627	6	27	14	9	7