



PLURALUCE® SURFACE REMOTE

Compact 12-24V surface mounted LED remote

Project Name: _____ Model Number: _____
 Prepared By: _____ Date: _____

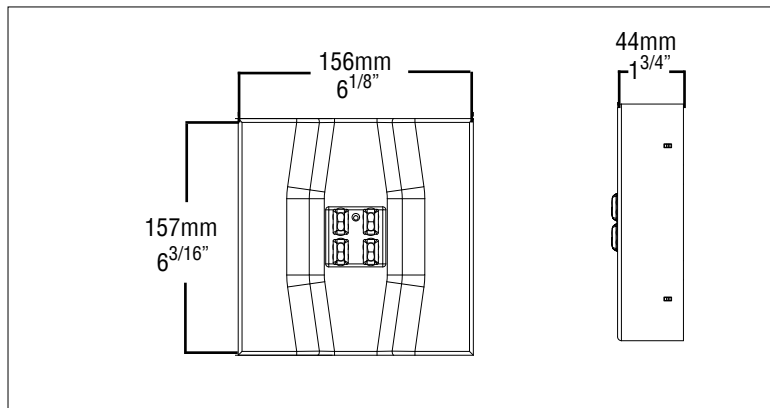
FEATURES & BENEFITS

- Up to 68.5' spacing on centre
- Aluminum cover
- 3 interchangeable lenses for wall mount asymmetrical, ceiling mount symmetrical or ceiling mount asymmetrical distribution
- 4 x 2.5W LEDs 4,000K
- Housing design acts as a large heat sink ensuring efficient thermal management and long operating life of the LEDs.
- CSA 22.2 No. 141-15 Performance Certified

LENSES

The **PLURALUCE®** surface is supplied with 3 lenses for a choice of distribution patterns. These custom designed lenses are constructed of optical grade polycarbonate. The symmetrical ceiling distribution is suitable for use in open areas with spacing of up to 41' on centre. The asymmetrical ceiling distribution is designed for use in hallways and corridors with spacing of up to 68.5' on centre. The asymmetrical wall distribution provides 53.5' on centre with a 6' wide path of egress.

DIMENSIONS



ORDERING GUIDE

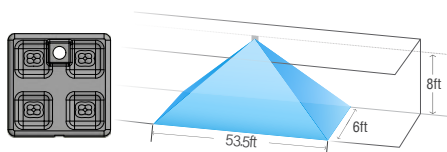
PL-RMT -

SERIES	OPTIONS
PL-RMT	BA (Brushed aluminum housing) CC (Custom coloured housing) TP (Tamper proof screw) WG (Wireguard)

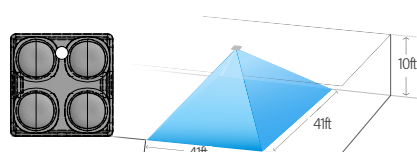
LENS DISTRIBUTION PATTERNS

(Reflectance percentage: 80/50/20, measurements are not to scale)

WALL MOUNT ASYMMETRICAL



CEILING MOUNT SYMMETRICAL



CEILING MOUNT ASYMMETRICAL

