



# PLURALUCE® SQUARE RECESSED

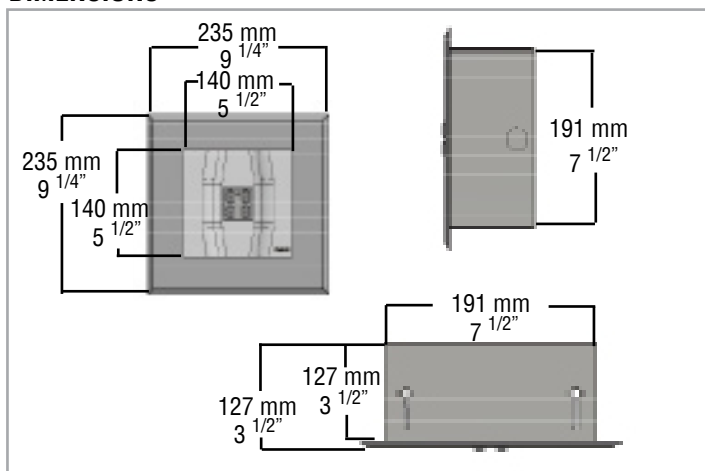
Recessed 10W LED

Project Name: \_\_\_\_\_ Model Number: \_\_\_\_\_  
 Prepared By: \_\_\_\_\_ Date: \_\_\_\_\_

## FEATURES & BENEFITS

- Up to 68.5' spacing on centre
- 3 interchangeable lenses for wall mount asymmetrical, ceiling mount symmetrical or ceiling mount asymmetrical distribution
- Integrated test switch
- 4 x 2.5W LEDs 4000K
- Multi-coloured LED indicator
- Choice of operations; EM, ACEM and AC
- Configured with two-wire 120-347VAC 60 Hz input
- Suitable for use in non-IC installations only
- CSA 22.2 No. 141-15 Performance Certified

## DIMENSIONS



## BATTERY TECHNOLOGY

The **PLURALUCE®** EM and ACEM versions come standard with a Ni-MH battery pack that provides a minimum of 30 minutes emergency duration. Optional 90 or 120 minute Ni-MH batteries are available. The maximum battery operating temperature is +40°C and the minimum is +10°C.

## BELUCE AUTO-TEST (AT)

The BeLuce auto-test system automatically performs one 5 minute discharge test monthly and every 6 months it performs two 30 minute discharge tests, 24 hours apart. This tests both full battery capacity and recharge capability. A manual Test feature is included when the Auto-test option is selected. The manual test will run a 30 second, 15 minute or 90 minute test by pressing the correct sequence of the test switch.

## LED TECHNOLOGY

The **PLURALUCE®** is illuminated with four 2.5W LEDs. Under any operation, the **PLURALUCE®** delivers between 1349 lm - 1414 lm. Each pair of LEDs are laid out in parallel on the LED module so if one pair fails, the other will remain illuminated. A high-efficiency LED driver is used to maintain a constant output current to all LEDs. The LEDs are rated for >54,000 hours at L80.

## AC INPUT RATINGS

OPERATION	VOLTAGE	WATTAGE	RATED CURRENT
AC Only	120/277/347	13.0/13.1/13.4	0.25/0.15/0.10
ACEM	120/277/347	17.3/17.0/17.1	0.35/0.25/0.15
EM	120/277/347	4.5/5.0/5.1	0.15/0.10/0.05

## ORDERING GUIDE

PL-SQR - - -

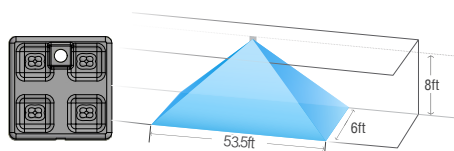
SERIES	OPERATION	VOLTAGE	OPTIONS
PL-SQR	EM (Emergency / AC fail only) AC (Normally on) <sup>1</sup> ACEM (Normally on / EM backup)	120-347V	AT (Auto-test) 90SP (90 min. emergency) 120SP (120 min. emergency) CC (Custom Colour - specify)

NOTE: <sup>1</sup>Unswitchable

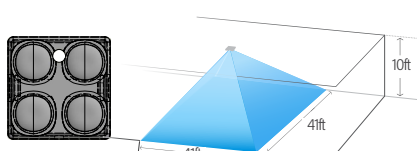
## LENS DISTRIBUTION PATTERNS

(Reflectance percentage: 80/50/20, measurements are not to scale)

### WALL MOUNT ASYMMETRICAL



### CEILING MOUNT SYMMETRICAL



### CEILING MOUNT ASYMMETRICAL

