



PLURALUCE® SQUARE RECESSED REMOTE

12-24V 10W LED

Project Name: _____ Model Number: _____
 Prepared By: _____ Date: _____

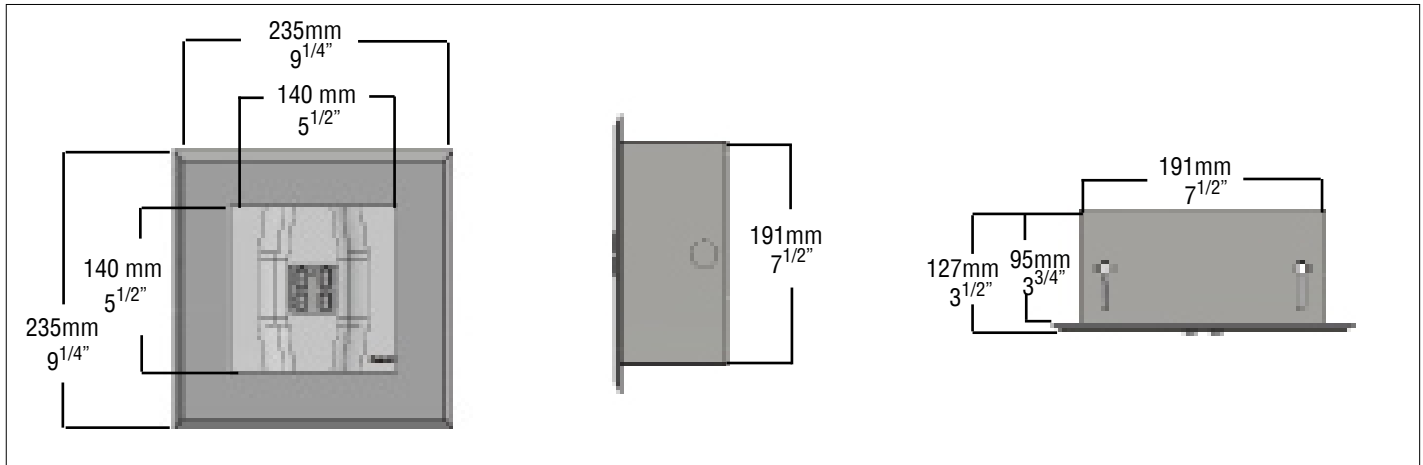
FEATURES & BENEFITS

- Up to 68.5' spacing on centre
- 4 x 2.5W LEDs 4,000K
- 3 interchangeable lenses for wall mount asymmetrical, ceiling mount symmetrical or ceiling mount asymmetrical distribution
- Suitable for use in non-IC installations only
- CSA 22.2 No. 141-15 Performance Certified

LENSES

The **PLURALUCE®** square recessed is supplied with 3 lenses for a choice of distribution patterns. These custom designed lenses are constructed of optical grade polycarbonate. The symmetrical ceiling distribution is suitable for use in open areas with spacing of up to 41' on centre. The asymmetrical ceiling distribution is designed for use in hallways and corridors with spacing of up to 68.5' on centre.

DIMENSIONS



ORDERING GUIDE

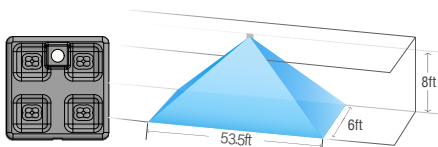
PL-SQR-RMT -

SERIES	OPTIONS
PL-SQR-RMT	CC (Custom colour - specify)

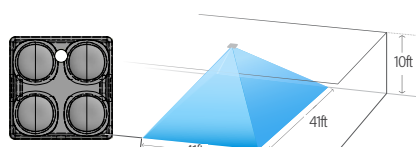
LENS DISTRIBUTION PATTERNS

(Reflectance percentage: 80/50/20, measurements are not to scale)

WALL MOUNT ASYMMETRICAL



CEILING MOUNT SYMMETRICAL



CEILING MOUNT ASYMMETRICAL

