

PLANEX BACKLIT PREMIUM

LED BACKLIT PANEL
3 CCT and 3 Power Selectable

Type: _____

Project: _____

Delivered Lumens:
up to 5 100 lm

Input Wattage:
20 - 40W

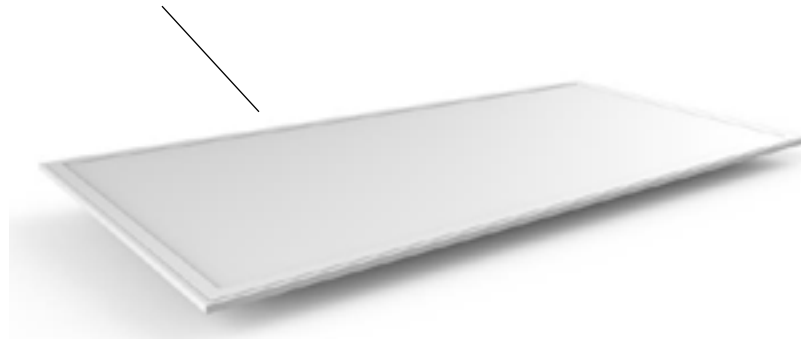
Efficacy:
up to 137 lm/W

Colour Temperatures:
3500K, 4000K, 5000K

CRI:
>82

Projected Lumen Maintenance:
L₇₀@ 50,000 hrs.

White aluminum alloy frame



Back view:



PLANEX® backlit premium panels operate from 120 - 347V featuring the natural benefit of projecting light through less material. The panels are capable of changing CCT and power with a simple switch, an ideal cost-effective solution to reduce stocking inventory.

The PLANEX® backlit premium is versatile making it ideal for a variety of commercial indoor applications such as offices, retail, medical facilities, schools, car dealerships, and much more.

AVAILABLE in 1x4, 2x2 & 1x4

Configurations

MODEL	LENGTH	LUMENS	COLOUR TEMP	INPUT	OPTIONS
PLNX-PBPS	1 (1'x4')	See table below	35K (3500K)	M (120-347V)	SA* (EM Backup)
	2 (2'x2')		4K (4000K)	S (120-277V)	
	4 (2'x4')		5K (5000K)		

NOTE*: 120-277V during EM backup CCT output is fixed at 5000K

DLC PRODUCT ID: PLNX-PBPS-1-3C-M (PL74UGDLVEEG); PLNX-PBPS-2-3C-M (PL6EVGJZUKAH); PLNX-PBPS-4-3C-M (PL000WQ2AT0S)

Pre-Built Inventory

ORDERING CODE	SHORT DESCRIPTION	LONG DESCRIPTION
19001815	PLNX-PBPS-1-3C-M	PLANEX BACKLIT LED PANEL DLC5.1 PREMIUM 1'X4' POWER SELECTABLE 120-347V INPUT
19001816	PLNX-PBPS-2-3C-M	PLANEX BACKLIT LED PANEL DLC5.1 PREMIUM 2'X2' POWER SELECTABLE 120-347V INPUT
19001817	PLNX-PBPS-4-3C-M	PLANEX BACKLIT LED PANEL DLC5.1 PREMIUM 2'X4' POWER SELECTABLE 120-347V INPUT
19001818	PLNX-PBPS-1-3C-S-SA	PLANEX BACKLIT LED PANEL DLC5.1 PREMIUM 1'X4' POWER SELECTABLE 120-277V INPUT WITH EM BACKUP
19001819	PLNX-PBPS-2-3C-S-SA	PLANEX BACKLIT LED PANEL DLC5.1 PREMIUM 2'X2' POWER SELECTABLE 120-277V INPUT WITH EM BACKUP
19001820	PLNX-PBPS-4-3C-S-SA	PLANEX BACKLIT LED PANEL DLC5.1 PREMIUM 2'X4' POWER SELECTABLE 120-277V INPUT WITH EM BACKUP

Lumen Specification Table

MODEL	WATTS	3500K		4000K		5000K	
		LUMEN	EFFICIENCY	LUMEN	EFFICIENCY	LUMEN	EFFICIENCY
PLNX-PBPS-1	20W	2 600	130 lm/W	2 700	135 lm/W	2 700	135 lm/W
	25W	3 200	128 lm/W	3 300	132 lm/W	3 300	132 lm/W
	30W	3 750	125 lm/W	3 800 ¹	127 lm/W	3 800	127 lm/W
PLNX-PBPS-2	20W	2 600	130 lm/W	2 700	135 lm/W	2 700	135 lm/W
	25W	3 200	128 lm/W	3 300	132 lm/W	3 300	132 lm/W
	30W	3 750	125 lm/W	3 800 ¹	127 lm/W	3 800	127 lm/W
PLNX-PBPS-4	30W	4 000	133 lm/W	4 100	137 lm/W	4 100	137 lm/W
	35W	4 500	129 lm/W	4 600	131 lm/W	4 600	131 lm/W
	40W	5 000	125 lm/W	5 100 ²	128 lm/W	5 100	128 lm/W

DEFAULT PROGRAMMING: NOTE¹: 30W / 4000K; NOTE²: 40W / 4000K

Accessories (Sold Separately)

ORDER CODE	DESCRIPTION	SIZE
50001051	Drywall Kit	1X4
50001052	Drywall Kit	2X2
50001050	Drywall Kit	2X4
50001126	Suspension Kit*	1X4, 2X2, 2X4
50001039	Surface Mount Kit	1X4
50001040	Surface Mount Kit	2X2
50001038	Surface Mount Kit	2X4

*upto 60°

MECHANICAL:

White aluminium alloy frame.

ELECTRICAL:

Available in 120-347V.

DIMMING:

0-10 V dimming standard. Panels dim to 10%.

OPERATING TEMPERATURE:

-20°C to 35°C

LENS:

PMMA

DIFFUSION:

Layers of light shaping diffusers provide effective and uniform light distribution without glare or hot spots.

WEIGHT:

1'X4': 4.6lbs, 2'X2': 4.4lbs, 2'X4': 8.7lbs

MOUNTING:

Recessed, suspended, and surface mounting are available.

WARRANTY:

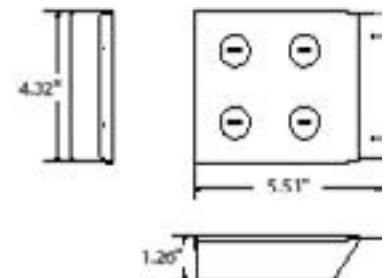
5 year warranty, see website for full warranty details.

Compatible Dimmers

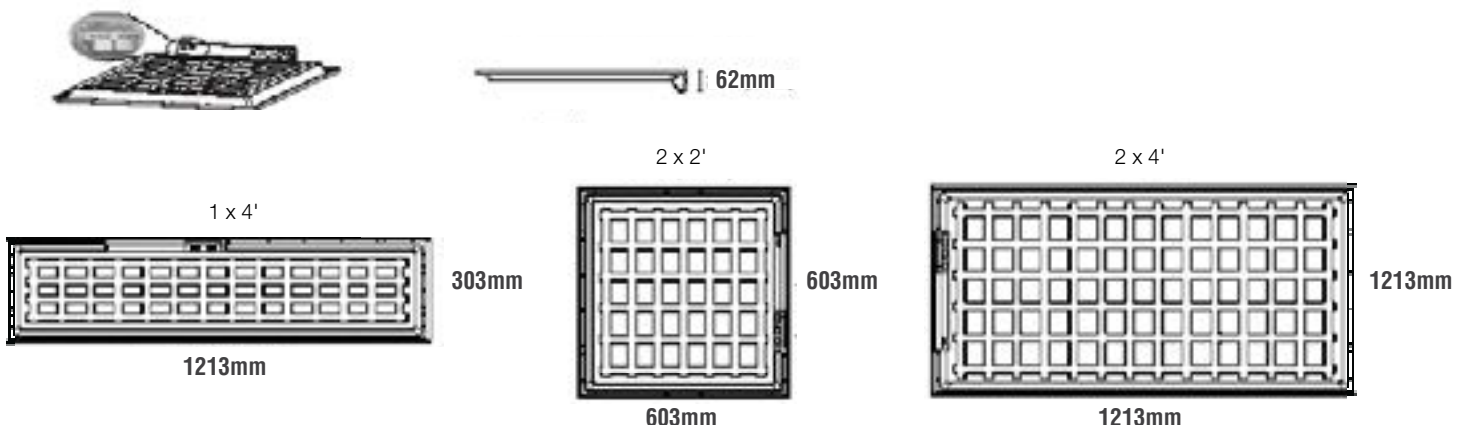
BRAND	MODEL #
Lutron	DVSTV
	DVSTV-453PH-WH
	DVTV
	DVSTV
	NFTV
	NTSTV-DV
Leviton	IP710-DLZ
	IP710-LFZ

NOTE: Above dimmers have been tested with Planex fixtures. Actual operation and installation of dimmers to comply with dimmer manufacturer's instructions. Consult dimming manufacturer for tech support.

Junction Box (Sold Separately)



Dimensions

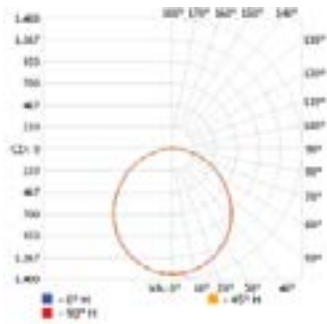


Planex® Backlit Premium LED | PLNX-PBPS



PLNX-PBPS-1-3C-M

Luminous Intensity Distribution

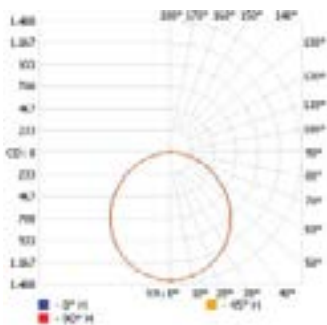


Zonal Lumen Summary

ZONE	LUMENS	% LUMINAIRE
0-30	1 043	27%
0-40	1 709	44%
0-60	3 030	78%
60-90	873	22%
70-100	386	10%
90-120	1.4	0%
0-90	3 902	100%
90-180	1.4	0%
0-180	3 904	100%

PLNX-PBPS-2-3C-M

Luminous Intensity Distribution

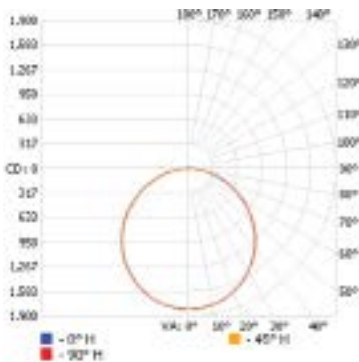


Zonal Lumen Summary

ZONE	LUMENS	% LUMINAIRE
0-30	1 052	27%
0-40	1723	44%
0-60	3 051	78%
60-90	868	22%
70-100	380	10%
90-120	0.5	0%
0-90	3 919	100%
90-180	0.5	0%
0-180	3 919	100%

PLNX-PBPS-4-3C-M

Luminous Intensity Distribution



Zonal Lumen Summary

ZONE	LUMENS	% LUMINAIRE
0-30	1 410	27%
0-40	2 312	44%
0-60	4 101	78%
60-90	1 177	22%
70-100	518	10%
90-120	1.0	0%
0-90	5 278	100%
90-180	1.0	0%
0-180	5 279	100%

