



ALUMINUM PHOTOLUMINESCENT RM

Distributed by BeLuce

Project Name: _____ Model Number: _____
 Prepared By: _____ Date: _____

FEATURES & BENEFITS

- Classic aluminum frame goes anywhere
- Zero maintenance - no bulbs, no battery replacement
- Designed for surface, flag, ceiling or conduit mounting
- Zero energy consumption - zero cost, green design
- Recyclable
- Thin, low profile construction
- Easily movable if egress path changes
- Temperature Rating: -28 to 79°C
- No disposal costs
- Consistent, uniform illumination
- 15.25 m (50 ft) rated, visibility, readability
- LEED point contributor

LISTED TO

- CAN/ULC-S572 (Standard for Photoluminescent and Self Luminous Exit Signs and Path Marking Systems)
- Meets NBC 2010/2015
- 21.6 lx (2fc) at 30 minute Listing
- 54 lx (5fc) at 120 minute Listing

TECHNICAL INFORMATION

- Illumination: High Visibility Green
- Rated Viewing Distance: 15.25 meters (50 feet)
- Directional: Running Man with or without arrow
- Durability: Explosion-proof/Suitable for Floor Proximity Installation

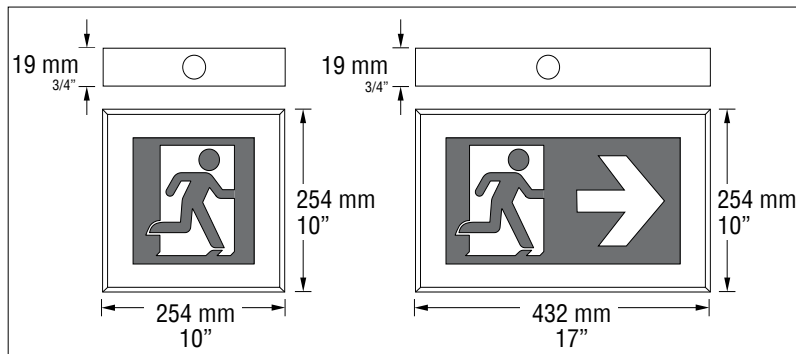
INSTALLATION

The **ALUMINUM PHOTOLUMINESCENT RM** is suitable for surface, flag, ceiling or stem mounting. Before installation it must be determined that there is a minimum of 21.6lx LED or 54lx of light on the face(s) of the sign at all times during building occupancy. Suitable for both high and low-level locations.

LIFE EXPECTANCY AND POWER REQUIREMENTS

25+ years. No additional electrical or mechanical source required.

DIMENSIONS



MODEL GUIDE

MODEL	LIGHT ON FACE (LX)	VISIBILITY TIME (MIN)	MODEL	LIGHT ON FACE (LX)	VISIBILITY TIME (MIN)
7230-L-2-SAF-B	21.6 (2fc)	30	7230-L-SAF-B	54 (5fc)	120
7230-R-2-SAF-B	21.6 (2fc)	30	7230-R-SAF-B	54 (5fc)	120
7230-2-SAF-2-B	21.6 (2fc)	30	7230-SAF-2-B	54 (5fc)	120
7231-L-A-2-SAF-B	21.6 (2fc)	30	7231-L-A-SAF-B	54 (5fc)	120
7231-R-A-2-SAF-B	21.6 (2fc)	30	7231-R-A-SAF-B	54 (5fc)	120
7231-A-2-SAF-2-B	21.6 (2fc)	30	7231-A-SAF-2-B	54 (5fc)	120

NOTE: Arrow is only available in 7231 models



ALUMINUM PHOTOLUMINESCENT RM

Distributed by BeLuCe

PRE-BUILT INVENTORY

ORDERING CODE	SHORT DESCRIPTION	LONG DESCRIPTION
19000044	7230-L-2-SAF-B	SINGE FACE RM L (MAN FACES LEFT) SILVER FRAME C/W BRACKET (0)
19000966	7230-R-2-SAF-B	SINGE FACE RM R (MAN FACES RIGHT) SILVER FRAME C/W BRACKET (0)
19001401	7230-2-SAF-2-B	DOUBLE FACE RM (NO INDICATORS) SILVER FRAME C/W BRACKET (00)
19001038	7231-L-A-2-SAF-B	SINGLE FACE RM INDICATOR LEFT, SILVER FRAME C/W BRACKET (L)
19001037	7231-R-A-2-SAF-B	SINGLE FACE RM INDICATOR RIGHT, SILVER FRAME C/W BRACKET (R)
19001124	7231-A-2-SAF-2-B	DOUBLE FACE RM WITH INDICATORS, SILVER FRAME C/W BRACKET (L/R)
19000708	7230-L-SAF-B	SINGE FACE RM L (MAN FACES LEFT) SILVER FRAME C/W BRACKET (0)
19000816	7230-R-SAF-B	SINGE FACE RM R (MAN FACES RIGHT) SILVER FRAME C/W BRACKET (0)
19000912	7230-SAF-2-B	DOUBLE FACE RM (NO INDICATORS) SILVER FRAME C/W BRACKET (00)
19000045	7231-L-A-SAF-B	SINGLE FACE RM INDICATOR LEFT, SILVER FRAME C/W BRACKET (L)
19000844	7231-R-A-SAF-B	SINGLE FACE RM INDICATOR RIGHT, SILVER FRAME C/W BRACKET (R)
19000794	7231-A-SAF-2-B	DOUBLE FACE RM WITH INDICATORS, SILVER FRAME C/W BRACKET (L/R)



Photoluminescent RM - 7230 series
Right Running Man



Photoluminescent RM - 7231 series
Left Running Man with directional arrow



ACRYLIC PHOTOLUMINESCENT RM

Distributed by BeLuce

Project Name: _____ Model Number: _____
 Prepared By: _____ Date: _____

FEATURES & BENEFITS

- Classic easy to clean acrylic frame with aluminum extrusion
- Zero maintenance - no bulbs, no battery replacement
- Recyclable
- Thin, low profile construction
- Non-toxic, non-radioactive
- Easily movable if egress path changes
- Temperature Rating: -28 to 79°C
- Zero energy consumption - zero cost, green design
- No disposal costs
- Consistent, uniform illumination
- 15.25 m (50 ft) rated, visibility, readability
- LEED point contributor

LISTED TO

- CAN/ULC-S572 (Standard for Photoluminescent and Self Luminous Exit Signs and Path Marking Systems)
- Meets NBC 2010/2015
- 21.6 lx (2fc) at 30 minute Listing
- 54 lx (5fc) at 120 minute Listing

TECHNICAL INFORMATION

- Illumination: High Visibility Green
- Rated Viewing Distance: 15.25 meters (50 feet)
- Directional: Running Man with or without arrow
- Durability: Explosion-proof/Suitable for Floor Proximity Installation

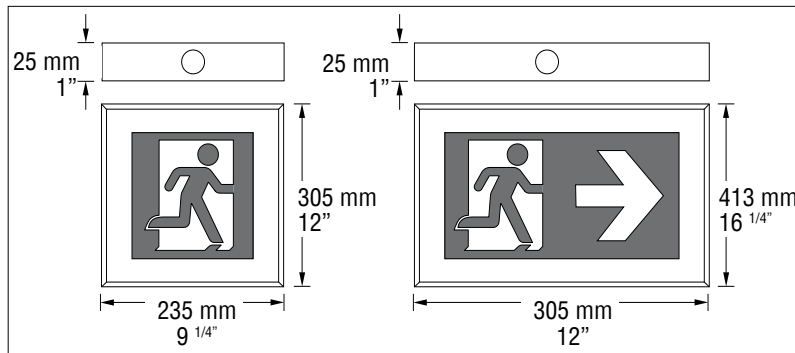
INSTALLATION

The **ACRYLIC PHOTOLUMINESCENT RM** is suitable for surface, flag, ceiling or stem mounting. Before installation it must be determined that there is a minimum of 21.6lx LED or 54lx of light on the face(s) of the sign at all times during building occupancy. Suitable for both high and low-level locations.

LIFE EXPECTANCY AND POWER REQUIREMENTS

25+ years. No additional electrical or mechanical source required.

DIMENSIONS



MODEL GUIDE

MODEL	LIGHT ON FACE (LX)	VISIBILITY TIME (MIN)	MODEL	LIGHT ON FACE (LX)	VISIBILITY TIME (MIN)
7230-L-2-ACR-B	21.6 (2fc)	30	7230-L-ACR-B	54 (5fc)	120
7230-R-2-ACR-B	21.6 (2fc)	30	7230-R-ACR-B	54 (5fc)	120
7230-2-ACR-2-B	21.6 (2fc)	30	7230-ACR-2-B	54 (5fc)	120
7231-L-A-2-ACR-B	21.6 (2fc)	30	7231-L-A-ACR-B	54 (5fc)	120
7231-R-A-2-ACR-B	21.6 (2fc)	30	7231-R-A-ACR-B	54 (5fc)	120
7231-A-2-ACR-2-B	21.6 (2fc)	30	7231-A-ACR-2-B	54 (5fc)	120

NOTE: Arrow is only available in 7231 models



ACRYLIC PHOTOLUMINESCENT RM

Distributed by BeLuCe

PRE-BUILT INVENTORY

ORDERING CODE	SHORT DESCRIPTION	LONG DESCRIPTION
19000989	7230-L-2-ACR-B	SINGE FACE RM L (MAN FACES LEFT) ACRYLIC FRAME C/W BRACKET (0)
19001231	7230-R-2-ACR-B	SINGE FACE RM R (MAN FACES RIGHT) ACRYLIC FRAME C/W BRACKET (0)
19001162	7230-2-ACR-2-B	DOUBLE FACE RM (NO INDICATORS) ACRYLIC FRAME C/W BRACKET (00)
19001121	7231-L-A-2-ACR-B	SINGLE FACE RM INDICATOR LEFT, ACRYLIC FRAME C/W BRACKET (L)
19000046	7231-R-A-2-ACR-B	SINGLE FACE RM INDICATOR RIGHT, ACRYLIC FRAME C/W BRACKET (R)
19000047	7231-A-2-ACR-2-B	DOUBLE FACE RM WITH INDICATORS, ACRYLIC FRAME C/W BRACKET (L/R)
19000048	7230-L-ACR-B	SINGE FACE RM L (MAN FACES LEFT) ACRYLIC FRAME C/W BRACKET (0)
19000049	7230-R-ACR-B	SINGE FACE RM R (MAN FACES RIGHT) ACRYLIC FRAME C/W BRACKET (0)
19000050	7230-ACR-2-B	DOUBLE FACE RM (NO INDICATORS) ACRYLIC FRAME C/W BRACKET (00)
19001079	7231-L-A-ACR-B	SINGLE FACE RM INDICATOR LEFT, ACRYLIC FRAME C/W BRACKET (L)
19000051	7231-R-A-ACR-B	SINGLE FACE RM INDICATOR RIGHT, ACRYLIC FRAME C/W BRACKET (R)
19000052	7231-A-ACR-2-B	DOUBLE FACE RM WITH INDICATORS, ACRYLIC FRAME C/W BRACKET (L/R)



Photoluminescent RM - 7230 series
Right Running Man



Photoluminescent RM - 7231 series
Left Running Man with directional arrow



Photoluminescent RM - 7231 series
Left Running Man with directional arrow, end mount