



OTTICA SORTIE

Cylindrical Edge-Lit Sortie (Aluminum)

Project Name: _____ Model Number: _____
 Prepared By: _____ Date: _____

FEATURES & BENEFITS

- Extruded aluminum cylindrical design
- Edge-Lit LED technology
- Optional oval (OV) shaped face
- AC Only, Self-Powered or Universal DC
- White, clear or mirrored face
- Surface wall, ceiling or end mounting (rectangular lens only)
- CSA 22.2 No.141-15 Performance Certified

INTERNAL SPECIFICATIONS

AC ONLY, AC/DC and SELF-POWERED: comes standard configured with high-output LED technology and 120/347VAC input. Nickel-cadmium batteries provide a minimum 30 minutes of emergency duration. Solid state charger & transfer. OTTICA SORTIE configured for AC/DC operation feature a 2 wire universal DC input; 6VDC - 24VDC backup voltages are standard. If an AC generator is used to back up the signs, a surge suppression device is recommended to protect the entire emergency circuit.

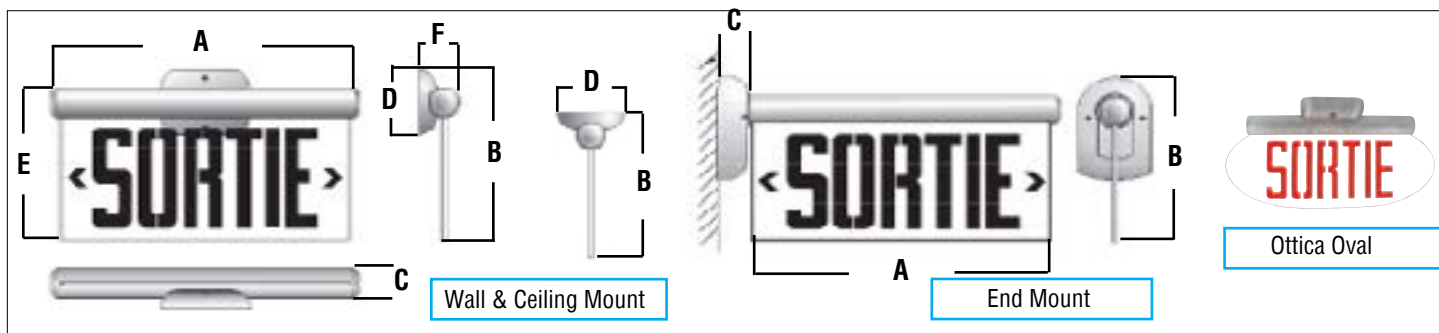
EXTERNAL SPECIFICATIONS

The OTTICA SORTIE series cylindrical housing is constructed as a single piece from extruded aluminum. The canopy is made from sturdy die-cast aluminum and the end caps from machined aluminum. The high clarity acrylic faceplate is available in both single face or double face versions, with a clear, white or mirrored background (please specify). White, baked powder coat finish is standard on all versions. Available in custom colours and finishes (please specify). External LED monitor light and test switch are standard on self-powered versions.

BATTERY TECHNOLOGY

Designed with a maintenance free, nickel-cadmium battery providing a minimum emergency duration of 30 minutes. Recharge time of the battery is 24 hours.

DIMENSIONS



MODEL	A	B	C	D	E	F
Wall	457mm (18")	259mm (10 9/50")	51mm (2")	406mm (4 1/2")	229mm (9")	76mm (3")
Ceiling	457mm (18")	258mm (10 3/20")	51mm (2")	394mm (4 1/2")	229mm (9")	76mm (3")
End	368mm (14 1/2")	254mm (10")	51mm (2")			

ORDERING GUIDE

OT-S - - - - -

SERIES	OPERATION	LIGHT SOURCE	MOUNTING	LETTER COLOUR	FACE	CHEVRONS	OPTIONS
OT-S (Sortie)	Blank (AC only) SP (Self-powered)	L (LED)	WC (Wall & Ceiling) E (End)	ROC (Red on clear - single face only) ROW (Red on white) ROM (Red on mirror)	1 (Single) 2 (Double)	U (Field adjustable)	OV (Oval shaped face) CC (Custom colour - specify) BA (Brushed aluminum finish) SW (Special wording - specify) PK12 (12" pendant kit) UDC (Universal 6 - 24VDC) 90SP (90 min. emergency) 120SP (120 min. emergency)