



MICRA SORTIE

One Piece Extruded Aluminum Sortie

Project Name: _____ Model Number: _____
 Prepared By: _____ Date: _____

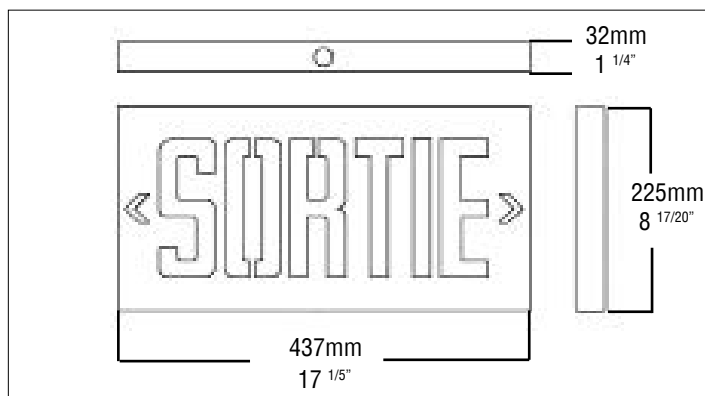
FEATURES & BENEFITS

- Wall, ceiling or end mounting
- Ultra thin one-piece body
- High-output LED technology
- Extruded aluminum housing
- AC Only or Universal DC
- GSA 22.2 No. 141-15 Performance Certified

EXTERNAL SPECIFICATIONS

The MICRA SORTIE series extruded “fusion” body is constructed as a single piece from extruded aluminum. The canopy is made from 16 gauge steel; the sortie body end plates are constructed from machined aluminum. White, baked powder coat finish is standard on all versions. MICRA SORTIE is also available in an all brushed aluminum finish. Single or double face versions must be specified. Universal mounting pattern stamped into the backplate.

DIMENSIONS



INTERNAL SPECIFICATIONS

AC ONLY and AC/DC come standard configured with high-output LED technology, 120/347VAC input. Solid state charger & transfer. The MICRA SORTIE series is configured with high-output LED lamps. Standard with 120/347VAC input. All versions consume only 2W nominal power. Optional UDC emergency illumination is provided by the LED light source at the following wattages: 6VDC - 24VDC, 2W. If an AC generator is used to back up the signs, a surge suppression device is recommended to protect the entire emergency circuit.

ORDERING GUIDE

MC-S - - - - -

SERIES	OPERATION	LIGHT SOURCE	LETTER COLOUR	FACE#	¹ MOUNTING	CHEVRONS	CHEVRONS	OPTIONS
MC-S (Exit)	Blank (AC only)	L (LED)	R (Red)	1 (Single) 2 (Double)	W (Wall-no canopy) C (Ceiling) E (End)	FC (Flush chevrons) RC (Recessed chevrons) SC (Specified chevrons)	0 (No chevrons) U (Universal) L (Left chevron single face) R (Right chevron single face) LR (Left or right double face)	CC (Custom colour - specify) BA (Brushed aluminum finish) SW (Special wording single) PK12 (12" pendant kit) UDC (Universal 6-24VDC) TP (Tamper proof screws)

NOTE: For self-powered, consult factory. ¹Mounting must be specified. Canopy is installed on the exit during manufacture and is not field adjustable.