

# HAZ-X S

HAZARDOUS LOCATION LED HIGH BAY

Type: \_\_\_\_\_

Project: \_\_\_\_\_

**Delivered Lumens:**  
3,000 - 36,000 lm

**Wattage:**  
S1: 20W - 150W  
S2: 20W - 240W

**Efficacy:**  
Up to 161 lm/W

**Colour Temperatures:**  
3000K - 6500K  
Selectable:  
4000K/5000K/6500K

**Projected Lumen Maintenance:**  
L<sub>70</sub> @ >100,000 hrs.



Selectable Wattage:  
• 40W/60W/80W  
• 60W/80W/100W

Selectable Wattage:  
• 100W/120W/150W  
• 120W/150W/200W

UL 844 Hazardous Locations  
Class I, Division 1, Group B, C, D  
Class I, Division 2, Group A, B, C, D  
Class II, Division 1, Group E, F, G  
Class II, Division 2, Group F, G  
Class III

Class I, Zone 1, Groups IIB +H2  
Class I, Zone 2, Groups IIC  
Zone 20, 21, 22

The **HAZ-X S** Hazardous Location LED High Bay is designed for installations in hazardous area where moisture, dirt, dust, corrosion and vibration may be present, or areas where wind, water, snow or high ambient temperatures can be expected. Flame-proof, enhanced safety and reliability makes this product an ideal lighting solution for hazardous locations.

Configurations (Example: HZX-EX-S1-20W-D-50-D120-FC-2-M)

1. SERIES	2. FIXTURE TYPE	3. OUTPUT	4. DIMMING	5. COLOUR TEMPERATURE	6. DISTRIBUTION
HZX-EX	S1	20W/30W/40W/50W/ 60W/80W/100W/150W	[BLANK] (Non-Dimmable) D (Dimmable)	30 (3000K) 40 (4000K) 50 (5000K) 57 (5700K) 65 (6500K)	<sup>6</sup> D40 (40 Degrees) <sup>6</sup> D60 (60 Degrees) <sup>6</sup> D90 (90 Degrees) <sup>7</sup> D120 (120 Degrees)
	S2	<sup>1</sup> 20W/ <sup>1</sup> 30W/ <sup>1</sup> 40W/ <sup>1</sup> 50W/60W/80W/100W/ 120W/150W/180W/200W/240W			

7. LENS	8. MOUNTING	9. LED TYPE	10. INPUT VOLTAGE
CC (Clear convex glass) FC (Frosted convex glass) [BLANK] (Clear flat glass) FF (Frosted flat glass)	P25 (Pole Mount - 25 Degrees) J (Jib Mount) [BLANK](U-Bracket Mount - Standard)	<sup>1</sup> 1 (5050 LED) <sup>2</sup> (2835 Single CCT LED Board) <sup>5</sup> [BLANK](2835 Selectable LED Board)	[BLANK] (120-277V) M (120-347V) H (200-480V)

11. ACCESSORIES	12. DUAL POWER & CCT SELECTABLE	13. EMERGENCY BACKUP
[BLANK] (Driver Enclosure Body without lead sealing) 1 (Driver Enclosure Body with lead sealing)	[BLANK] (Not Selectable) <sup>2,3</sup> T (Power and Colour Selectable)	[BLANK] (No Backup) <sup>4</sup> E (With Emergency Backup)

**NOTE<sup>1</sup>:** Not compatible with 120-347V Input; **NOTE<sup>2</sup>:** Must specify Power Selectable Options: S1: 40W/60W/80W or 60W/80W/100W; S2:100W/120W/150W or 120W/150W/200W; **NOTE<sup>3</sup>:** Standard selectable CCT: 4000K/5000K/6500K; **NOTE<sup>4</sup>:** Wattage Compatibility - S1: 40W or 60W; S2: 40W, 60W, 80W, 100W or 120W; **NOTE<sup>5</sup>:** Must be selected with Dual Power and CCT selectable; **NOTE<sup>6</sup>:** Only available with 5050 LED; **NOTE<sup>7</sup>:** Only available with 2835 LED.

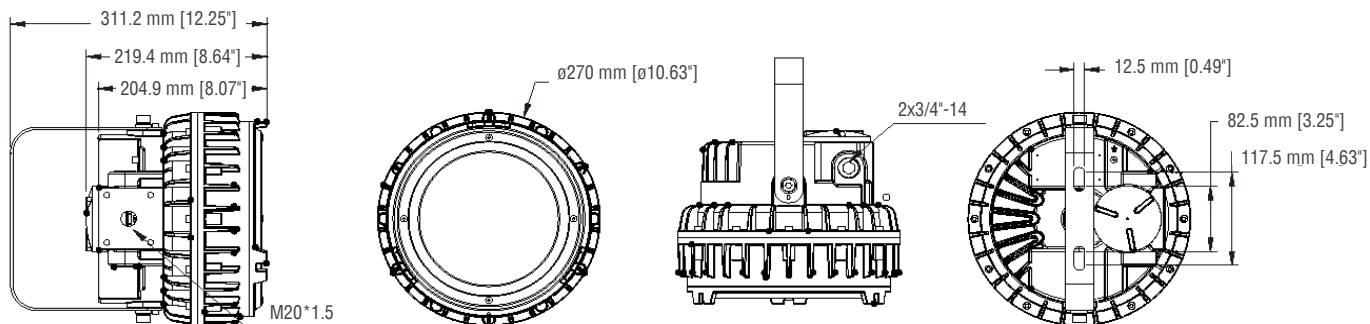
## Accessories

ORDER CODE	DESCRIPTION
50002002	HAZ-X EX-HOOK
50002003	HAZ-X JUNCTION BOX
50002004	HAZ-X PENDANT MOUNT
50002008	HAZ-X 25° WALL MOUNT WITH JUNCTION BOX
50002009	HAZ-X 90° WALL MOUNT WITH JUNCTION BOX

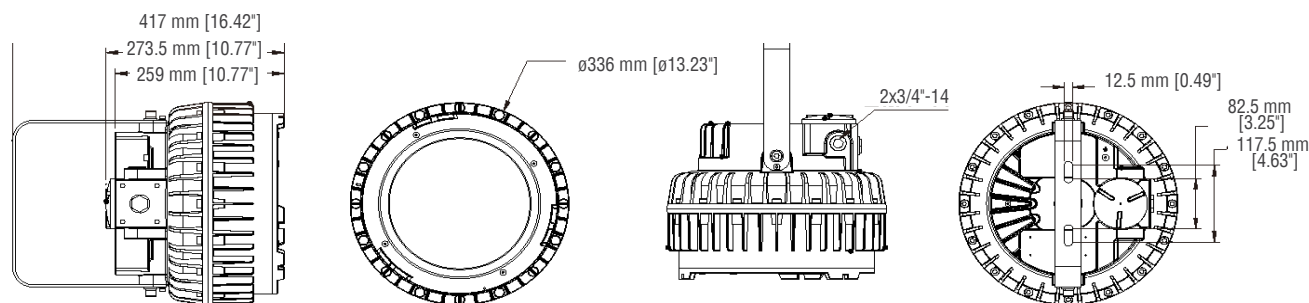
HAZ-X S

## Dimensions

### S1



### S2



### APPLICATIONS

- Power Plants
- Heavy Industrials Storage Facility
- Paper mills
- Wastewater Treatment Plants
- Loading Docks Platforms
- Offshore Environments
- Chemical Processing Facility
- Petrochemical Processing Facility
- Metallurgical Industry
- Coal Mine
- Food and Alcohol industry

### HOUSING:

Die-cast aluminum housing, great corrosion resistance and cooling performance

### LENS:

Comes standard with clear flat glass with options for clear or frosted convex glass, frosted flat glass

### ELECTRICAL:

- Available in 3000K, 4000K, 5000K, 5700K, 6500K colour temperatures
- >70 CRI
- Electrical ratings: 120-277V, 277-480V, 120-347V 50/60Hz
- Power factor of  $\geq 0.95$
- Power Selectable HZX-EX-S1: 40W/60W/80W or 60W/80W/100W
- Power Selectable HZX-EX-S2: 100W/120W/150W or 120W/150W/200W
- Colour Selectable: 4000K/5000K/6500K
- Optional Emergency backup
- Cable Entry: 3/4: NPT

### MOUNTING:

The standard mounting type is the U-Bracket Mount, and this series also offers 25° Pole Mount and Jib (Pendant) Mount options.

### OPERATING TEMPERATURE:

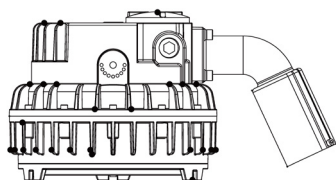
- S1: -40°C to +55°C; T4/T4A/T5
- S2: -40°C to +55°C; T3C/T4/T5/T6

### WARRANTY:

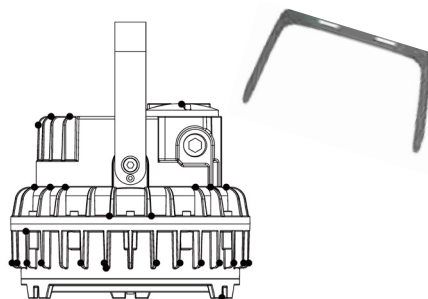
5-Year Standard Warranty

## Mounting & Accessories

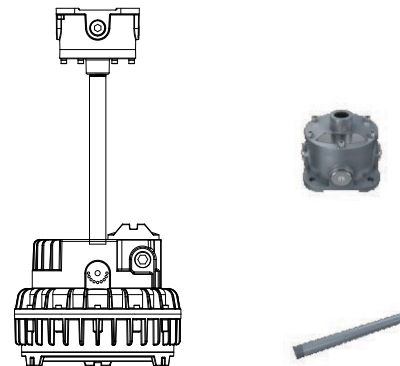
### Stanchion 25° Mounting



### Bracket Mounting

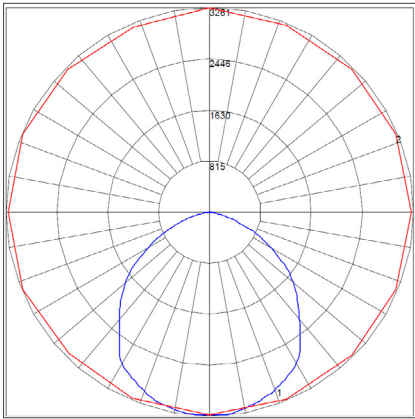


### Pendant Mounting



**HZX-EX-S1-60W-3000K-D120**

Luminous Intensity Distribution

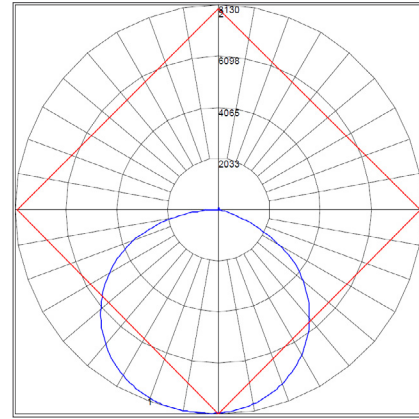


Zonal Lumen Summary

ZONE	LUMENS	% LUMINAIRE
0-20	1189	14.7
0-30	2536	31.3
0-40	4112	50.8
0-60	6948	85.8
0-80	8039	99.2
0-90	8073	99.7
10-90	7766	95.9
20-40	2923	36.1
20-50	4466	55.1
40-70	3643	45
60-80	1092	13.5
70-80	284	3.5
80-90	34	0.4
90-110	3	0
90-120	6	0.1
90-130	11	0.1
90-150	21	0.3
90-180	28	0.3
110-180	25	0.3
0-180	8101	100

**HZX-EX-S2-150W-6000K-D120**

Luminous Intensity Distribution



Zonal Lumen Summary

ZONE	LUMENS	% LUMINAIRE
0-20	2994	12
0-30	6432	26
0-40	10673	44
0-60	19335	79
0-80	23867	98
0-90	24165	99
10-90	23396	96
20-40	7679	32
20-50	12188	50
40-70	11736	48
60-80	4532	19
70-80	1458	6
80-90	2988	1
90-110	44	0
90-120	74	0
90-130	110	0
90-150	182	1
90-180	238	1
110-180	193	1
0-180	24402	100

Lumen Specification Table

MODEL	WATTS (W)	BEAM ANGLE	VOLT (V)	CURRENT (A)	CCT	LUMEN OUTPUT	EFFICACY	CRI	LIFE (L70)	POWER FACTOR	THD (%)
HZX-EX-S1	20	120°	120-277V	0.22	5000K	3226 lm	161 lm/W	>70	100,000	>0.95	≤20
	40			0.11	4000K	6491 lm	156 lm/W				
	60			0.67	3000K	8101 lm	137 lm/W				
	80			0.88	5000K	10558 lm	130 lm/W				
	100			1.11	4000K	15564 lm	151 lm/W				
HZX-EX-S2	150	120°	120-277V	1.67	6000K	24126 lm	161 lm/W	>70	100,000	>0.95	≤20
	200			0.89	5000K	28921 lm	144 lm/W				