

# HAZ-X R

HAZARDOUS LOCATION LED VAPOUR TIGHT

Type: \_\_\_\_\_

Project: \_\_\_\_\_

**Delivered Lumens:**  
2600 lm - 7800 lm

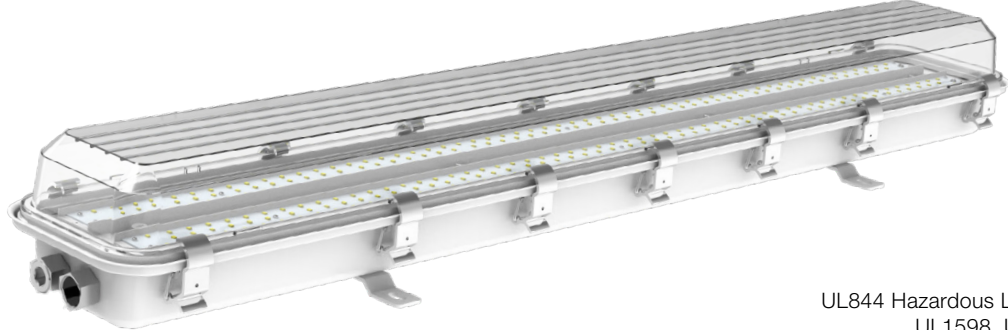
**Input Wattage:**  
20W - 60W

**Efficacy:**  
Up to 147 lm/W

**Colour Temperatures:**  
5000K

**Projected Lumen Maintenance:**  
L<sub>70</sub>@ > 50,000 hrs

The **HAZ-X R** series LED explosion-proof vapour tight is designed for hazardous locations where flammable gases, vapours, or liquids may be present during normal facility operations. The fixture is engineered for durability in corrosive environments and is rated for 1,000 hours of salt spray resistance.



UL844 Hazardous Locations  
UL1598, UL1598A  
Class I, Division 2, Groups A, B, C, D  
Class I, Zone 2 Group IIC  
Temperature Classification: T5, T6

Configurations (Example: HZX-EX-R2-20W-N-50-D120)

1. SERIES	2. FIXTURE TYPE	3. OUTPUT	4. DIMMING	5. COLOUR TEMP.	6. DISTRIBUTION	7. MOUNTING
HZX-EX	R2 (2FT)	20W/30W/36W	Y (Dimmable) N (Non dimmable)	27 (2700K) 40 (4000K) 50 (5000K)	D120 (120 degrees)	C (Ceiling/Wall Mount) R (Rope Mount)
	R4 (4FT)	30W/40W/50W/60W				

**NOTE:** Surface/wall mount is standard. Clear lens is standard, frosted lens contact factory and longer lead times will apply.

## Pre-Built Inventory

ORDER CODE	SHORT DESCRIPTION	LONG DESCRIPTION
19000139	HZX-EX-R4-40W-N-50-D120-C	HZX-EX R4 SERIES C1D2GABCD 40W IP66 5000K 120° BEAM ANGLE CEILING WALL MOUNT 120-277V
19000140	HZX-EX-R4-50W-N-50-D120-C	HZX-EX R4 SERIES C1D2GABCD 50W IP66 5000K 120° BEAM ANGLE CEILING WALL MOUNT 120-277V
19000141	HZX-EX-R4-60W-N-50-D120-C	HZX-EX R4 SERIES C1D2GABCD 60W IP66 5000K 120° BEAM ANGLE CEILING WALL MOUNT 120-277V

## Accessories

ORDER CODE	DESCRIPTION
50002011	HZX-EX-IN02-A-A MOTION PHOTOCELL SENSOR
50002012	HZX-EX-IN02-A-A SENSOR EXTENSION
50002013	HZX-EX-IN02-A-A SENSOR CONTROLLER

#### APPLICATIONS:

- Marine applications, like engine rooms, decks and walkways
- Pulp and paper production facilities
- Water/wastewater treatment facilities
- Petrochemical facilities
- Offshore environments

#### LUMENS:

- R2
- 20W: 2600 lm
  - 30W: 3900 lm
  - 36W: 4680 lm
- R4
- 30W: 3900 lm
  - 40W: 5200 lm
  - 50W: 6500 lm
  - 60W: 7800 lm

#### HOUSING:

Heavy-duty 20 gauge stainless steel (304) body with RAL9010 (milky white) powder coat finish with stainless steel latches.

#### DIFFUSER:

UV stabilized, impact resistant, 3mm thick clear fiberglass-reinforced polycarbonate, 120° wide beam distribution.

#### ELECTRICAL:

- 2700K, 4000K, 5000K
- >70 CRI
- 120-277V, 50/60Hz
- Power Factor of >0.9
- Surge Protection: 4kV
- Max total Wattage for Interconnection: 150W
- 4X 3/4" NPT cable entry

#### DIMMING:

0-10V dimming optional

#### OPERATING TEMP:

- HT (AC Only): -40°C to 60°C

#### WEIGHT:

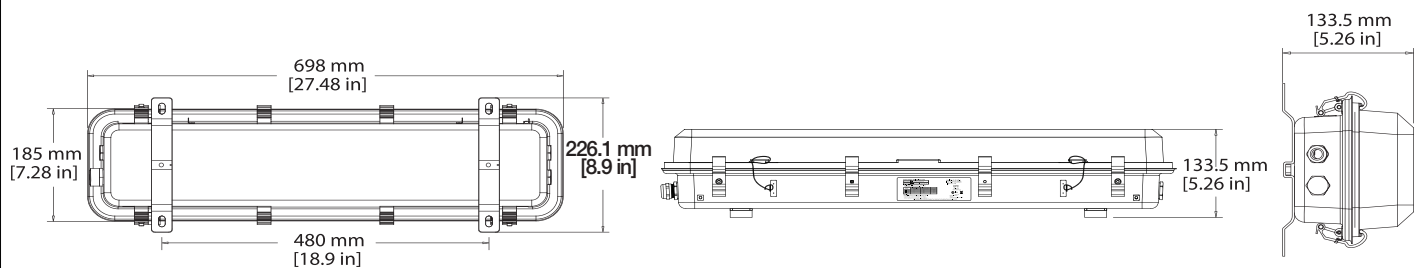
- 2ft: 11.6 lbs (5.3 kg)
- 4ft: 19.7 lbs (8.9 kg)

#### WARRANTY:

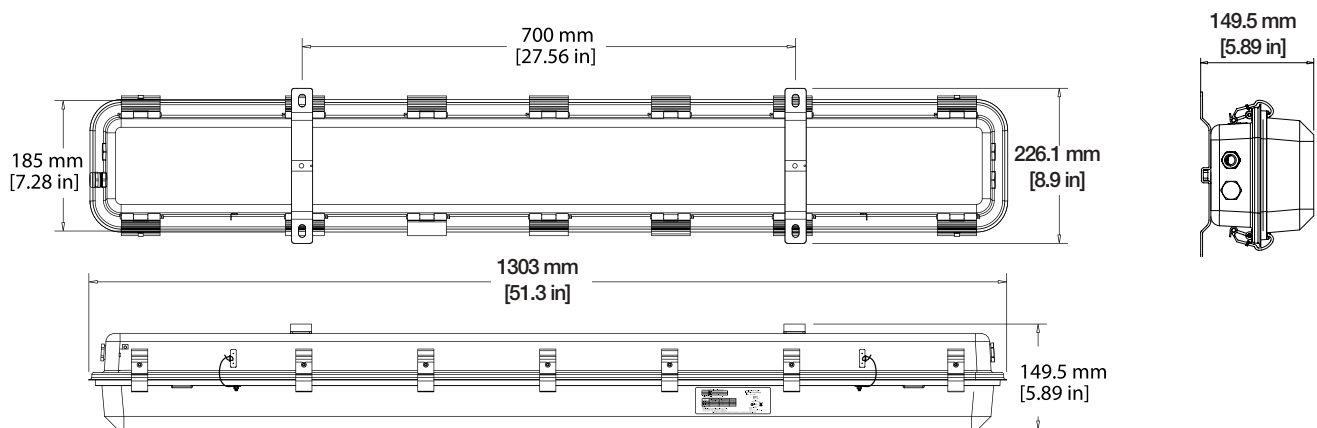
5-Year Standard Warranty

Dimensions (unit: mm [in.])

#### HZX-EX-R2

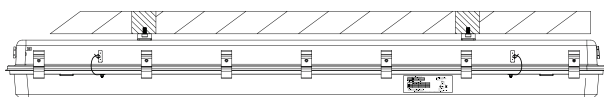


#### HZX-EX-R4

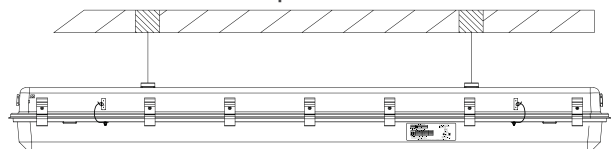


#### Mounting Methods

##### STANDARD (surface/ceiling mount)

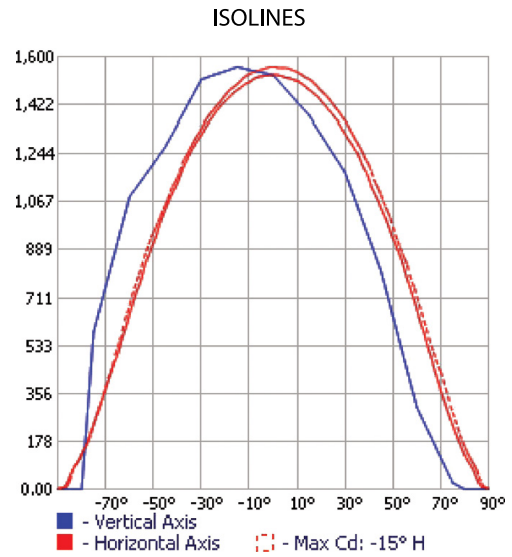
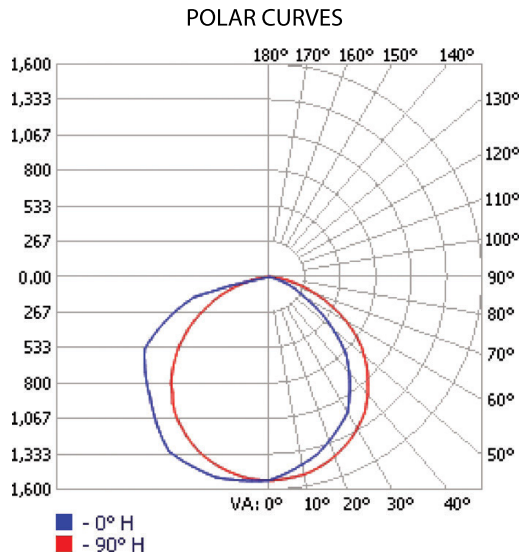


##### Rope Mount

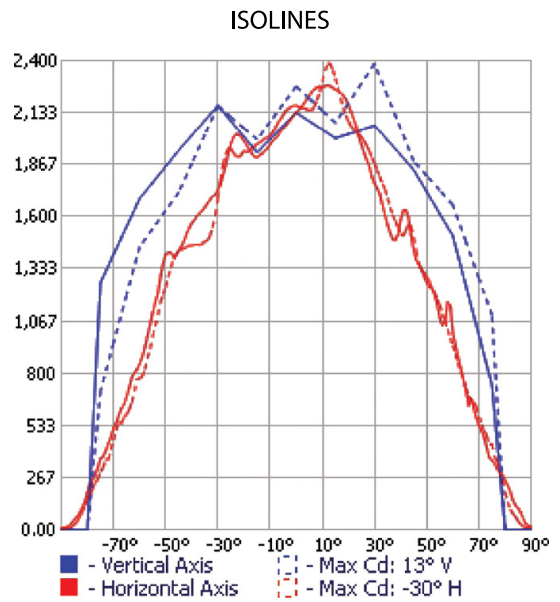
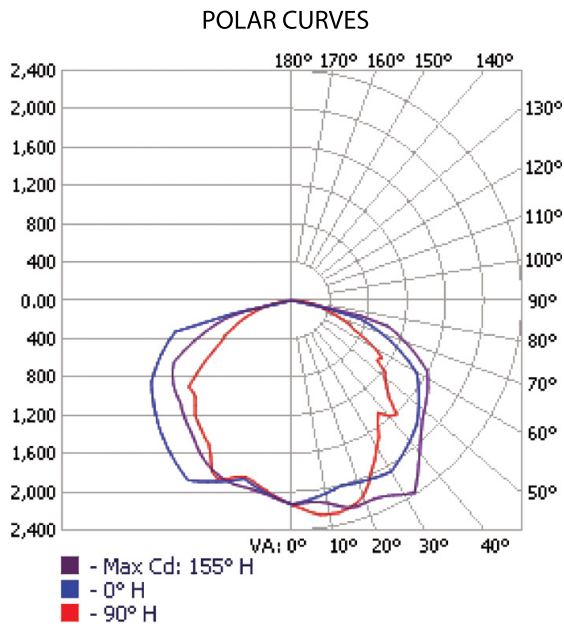


**NOTE:** Power cord cannot be exposed. Hazardous conduit mounting required.

[HZX-EX-R2/R4-30W-N-50-D120](#)



[HZX-EX-R4-50W-N-50-D120](#)



Energy Chart

MODEL	EFFICACY	CONSUMPTION WATTAGE	LUMEN OUTPUT	CRI	L70 (HRS) TESTED
HZX-EX-R2/R4-30W-N-50-D120-C	146 lm/W	30W	3900 lm	>80	>50,000
HZX-EX-R4-40W-N-50-D120-C	145 lm/W	40W	5200 lm	>80	>50,000
HZX-EX-R4-50W-N-50-D120-C	147 lm/W	50W	6000 lm	>80	>50,000
HZX-EX-R4-60W-N-50-D120-C	138 lm/W	60W	7800 lm	>80	>50,000

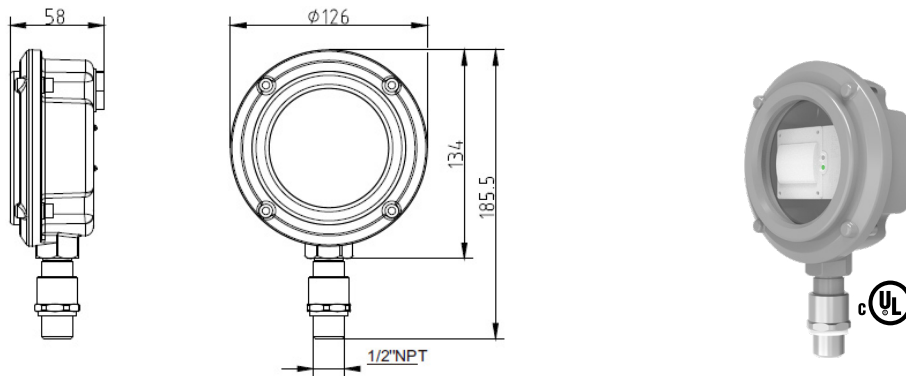
Dimmer Compatibility

DIMMER	COMPATABILITY	
	ON/OFF	DIMMING
LEVITON - AWRMG-7	YES	YES
LUTRON - DIVE - DVSTV	YES	YES

HAZ-X R

## Sensor Dimensions (unit: mm)

### HZX-EX-IN02-A



Model NO.	HZX-EX-IN02-A-A	A: Cover A made of aluminum alloy	
Input	DC Input Voltage	N/A	
	Rated Voltage	AC120-277V, 50/60Hz	
	No-load Power	N/A	
	Stand-by Power	≤ 1W	
	Surge Test	L - N: 1kV	
Output	Working Mode	ON/OFF, 1-10V dimming	
	Type of Load	Resistive or capacitive	
	Load Capacity	120V/4.5A; 277V/2A	
	Max.Power	550W	
	Max. Surge Capacity	30A (50% Ipeak, Twidth =500uS, @230Vac full load, cold start); 60A (50% Ipeak, Twidth =200uS, @200Vac, full load, cold start)	
Dim Interface	1-10V Dimming	20mA Max., Passive 1-10V ports	
	High Low Voltage Control	N/A	
	PWM Control	N/A	
Sensor Parameters	Operating Frequency	5.8 GHz ±75 MHz, ISM band	
	Transmitting Power	0.5mW Max.	
	Hold Time	5s/30s/1min/3min/20min/30min 5s/30s/1min/3min/5min/10min/20min/30min (set by remote control)	
	Stand-by Period	0s/5s/5min/10min/30min/1h/+∞ 0s/10s/1min/3min/5min/10min/30min/+∞ (set by remote control)	
	Detection Area	10 %/75%/50%/10% 10 %/75%/50%/25% (set by remote control)	
	Daylight Sensor	5Lux/15Lux/30Lux/50Lux/100Lux/150Lux/Disable (ambient light diffuse state) 5lux/15lux/30lux/50lux/10 lux/150lux/Disable (set by remote control)	
	Detecting Radius	2-3m @mounting height of 10m	
	Mounting Height	2-3m @mounting height of 10m	
	Detection Angle	150°	
	Operating Environment	Operating Temperature	-25°C to +60°C
		Storage	-40°C to +80°C/Humidity: 10%-95% (non-condensing)
Others	Input/Output Terminal	Press-type terminal block; Wire diameter: 0.75-1.5mm <sup>2</sup>	
	Material	Housing: Aluminum	
	High Low Voltage Control	N/A	
	IP Rating	IP66	
	Protection Class	Class I, Division 2, Groups A, B, C, D	
	Lifetime	50,000 hours	

#### NOTE:

- "N/A" means not available.
- The detection area is related to the speed and volume of the moving object. This data was obtained from testing personnel with a height of 165cm and a movement speed of 0.5m/s.
- Default Settings: Detection Area 100%, hold time 5s, stand-by 0s, standby dim level 10%, Day light sensor disabled and On mode