



# GALAXY

Metal Battery Unit

Project Name: \_\_\_\_\_ Model Number: \_\_\_\_\_  
 Prepared By: \_\_\_\_\_ Date: \_\_\_\_\_

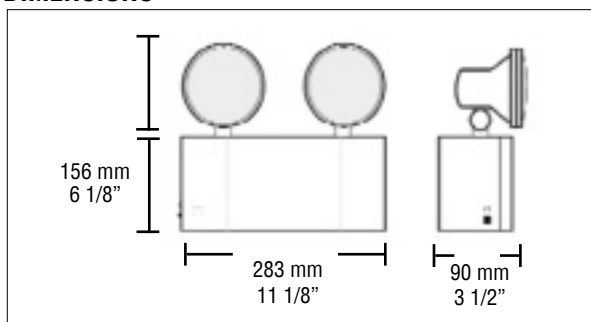
## FEATURES & BENEFITS

- 20 gauge steel housing
- Universal 120/277/347VAC input with solid state charging circuitry
- Low voltage disconnect
- AC lockout and brownout protection
- Lamp heads molded from high impact thermoplastic
- Hinged front access panel for trouble-free installation
- Standard white powder coat finish, other colours optional
- Surface wall or ceiling or pendant mounting
- Suitable for indoor installations
- CSA C22.2 No. 141-15 Performance Certified

## BATTERY TECHNOLOGY

The unit is designed with a maintenance free, sealed valve regulated lead acid battery or a Ni-MH battery that provides a minimum emergency duration of 30 minutes. Recharge time of the battery is less than 24 hours. The maximum battery operating temperature is +40°C and the minimum is +10°C.

## DIMENSIONS



## BELUCE AUTO-TEST (AT)

The BeLuce auto-test system automatically performs one 5 minute discharge test monthly and every 6 months it performs two 30 minute discharge tests, 24 hours apart. This tests both full battery capacity and recharge capability.

## ORDERING GUIDE

G - - - - -

SERIES	OPERATION	CAPACITY	HEADS	LAMP TYPE	OPTIONS
G	6 (Volt DC) 12 (Volt DC)	See model rating guide (18W-72W)	0 (None) 1SR (PAR18, 1 head) 2SR (PAR18, 2 heads) BTMR1 (MR16 1 head) BTMR2 (MR16 2 heads) 1LR (PAR36, 1 head) 2LR (PAR36, 2 heads)	See lamp selection	NC (Ni-Cd batteries, see guide) CC (Custom colour - specify) LD (Lamp disconnect) FD5 (5 circuit fuse distribution) AT (Auto-test self-diagnostics) *TD (Time delay - specify 5, 10, 20 mins) ACTB (Terminal block AC) DCTB (Terminal block DC) TP (Tamper proof screws) IRT (Infra-red remote test) *RFS (Radio frequency suppression) SM (Side mount heads) OBM (Octagon box mount) TC (Teflon coated lenses) *TLP (Twist lock plug) CT (Cabtire cord set, 120V only) LC (Line cord - 120V only) HT (High operating temperature) TPSB (Tamper Proof Screw Drive Bit)

NOTE: \*Single AC Voltage must be specified

## LAMP SELECTION

	6V	12V
Composite Tungsten	7.2, 9W	9, 12, 18W
Quartz (Q)	12W	12, 20 (55W, PAR36 only)
MR16*	N/A	50W
LED-MR16	5, 7W	2, 5, 7W
LED Module	3, 4W	3, 4W
Sealed Beam LED(PAR36 only)	N/A	6W

\*MR16 not available in SR head

## MODEL RATING GUIDE

MODEL	VOLTAGE (OUTPUT)	VOLTAGE 30MIN	VOLTAGE 90MIN
G-6-36	6	36	12
G-6-50	6	50	18
G-6-50-NC	6	50	22
G-6-80	6	80	27
G-6-100-NC	6	100	42
G-12-36	12	36	N/A
G-12-72	12	72	27
G-12-100-NC	12	100	45