



# FORTEZZA™ UNIT

Wet Location IP66 & Vandal Resistant Battery Unit

Project Name: \_\_\_\_\_ Model Number: \_\_\_\_\_  
 Prepared By: \_\_\_\_\_ Date: \_\_\_\_\_

## FEATURES & BENEFITS

- Fully gasketed IP66
- Heavy gauge die-cast aluminum housing
- 6 or 12V up to 100W
- MR16 halogen and LED lamps up to 50W
- UV resistant polycarbonate faceplate
- Vandal resistant to withstand extreme abuse
- High-efficiency two stage charger
- Supplied with a universal mounting canopy for wall, ceiling/end mount
- Salt Spray Passed
- CSA 22.2 No. 141-15 Performance Certified

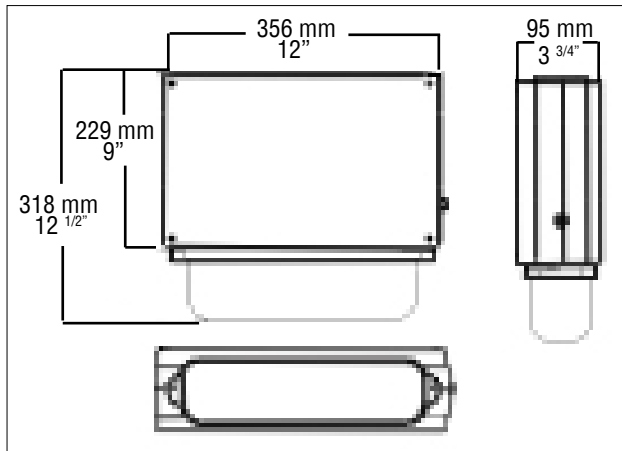
## BATTERY TECHNOLOGY

Designed with nickel-cadmium nickelmetal hydride batteries providing a minimum emergency duration of 30 minutes. Recharge time of the battery is twenty-four [24] hours. The maximum battery operating temperature is +40°C and the minimum is +10°C. With heater option added -20°C and low temperature option -40°C.

## BELUCE AUTO-TEST (AT)

The BeLuce auto-test system automatically performs one 5 minute discharge test monthly and every 6 months it performs two 30 minute discharge tests, 24 hours apart. This tests both full battery capacity and recharge capability.

## DIMENSIONS



## MODEL RATING GUIDE

MODEL	VOLTAGE (OUTPUT)	VOLTAGE 30MIN
FTZ-BU-6-36	6	36
FTZ-BU-6-50	6	50
FTZ-BU-12-20	12	20
FTZ-BU-12-40	12	40
FTZ-BU-12-72	12	72
FTZ-BU-12-100	12	100

## LAMP SELECTION

	6V	12V
MR16	N/A	50W
LED	5, 7W	2, 5, 7W

## ORDERING GUIDE

FTZ-BU - - - - -

SERIES	WATTS	MOUNTING	LAMP	VOLTAGE	OPTIONS
FTZ-BU	See Model Rating Guide	U (Universal) W (Wall, no canopy)	See lamp selection	120V 120/277/347V	AT (Auto-test) PK (Pendant Kit) BB (Black body) WW (White body) † IH (Internal heater -20°C) † LT (Low temperature -40°C)

NOTE: 120/277/347V or 120V available with 6V36W, 12V72W. 120/277/347V only available with 6V50W, 12V20W, 12V40W, 12V100W. †6V36W or 12V72W w/120VAC only