



# FORMA EXIT

Die-Cast LED Exit

Project Name: \_\_\_\_\_ Model Number: \_\_\_\_\_  
 Prepared By: \_\_\_\_\_ Date: \_\_\_\_\_

### FEATURES & BENEFITS

- Wall, ceiling or end mounting
- Flat or curved face
- High-output LED technology
- Die-cast aluminum housing
- AC Only, Self-Powered or Universal DC
- CSA 22.2 No. 141-15 Performance Certified

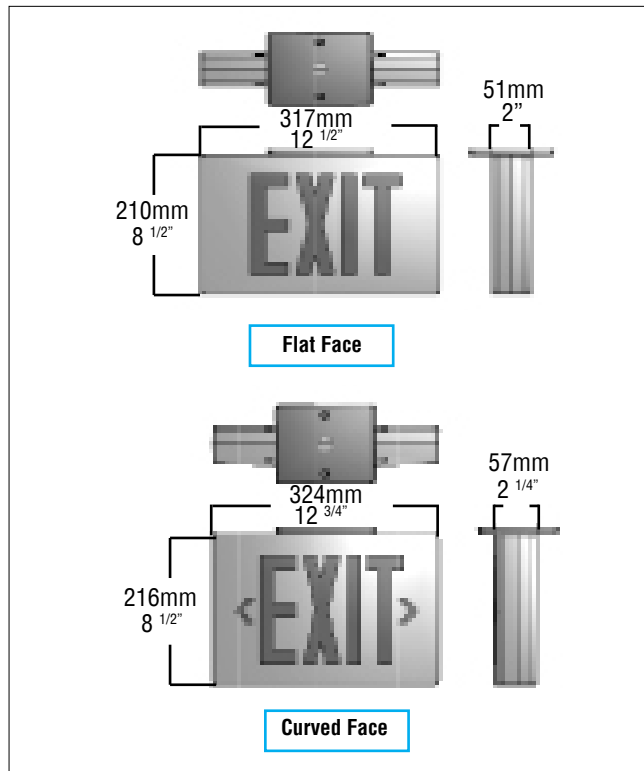
### EXTERNAL SPECIFICATIONS

The FORMA is constructed from durable die-cast aluminum. The FORMA comes standard with a brushed aluminum faceplate(s) and black housing. Available in custom epoxy-based powder coat finishes (please specify). Universal mounting pattern is stamped into the back plate. Removable chevrons are standard on each unit. The self-powered LED version comes standard with an external LED status indicator and test switch.

### INTERNAL SPECIFICATIONS

AC ONLY, AC/DC and SELF-POWERED comes standard configured with high-output LED technology and 120/347VAC input. Nickel-cadmium batteries provide a minimum 30 minutes of emergency duration. Optional 90 or 120 minute duration battery is available. Solid state charger & transfer. If an AC generator is used to back up the signs, a surge suppression device is recommended to protect the entire emergency circuit.

### DIMENSIONS



### ORDERING GUIDE

FM-E - - - - -

SERIES	OPERATION	LIGHT SOURCE	LETTER COLOUR	FACE#	MOUNTING	OPTIONS
FM-E (Exit)	Blank (AC only) SP (Self-powered)	L (LED)	R (Red) G (Green)	1 (Single) 2 (Double) U (Universal)	W (Wall mount no canopy) M (Universal mount, wall, ceiling or end)	CF (Curved face) WW (White face, white body) BB (Black face, black body) CC (custom colour - specify) BA (Brushed aluminum body) AT (Auto-test, SP only) SW (Special wording) WG (Wireguard) TP (Tamper proof screws) PK12 (12" pendant kit) UDC (6 - 24VDC) 90SP (90 minute emergency) 120SP (120 minute emergency) DL (Damp Location)