

# BS710

LOWBAY LED

Type: \_\_\_\_\_

Project: \_\_\_\_\_

**Delivered Lumens:**  
2183 - 2923 lm

**Input Wattage:**  
35W

**Efficacy:**  
66 lm/W - 87 lm/W

**Colour Temperatures:**  
3500K, 4000K, 5700K

**Projected Lumen Maintenance:**  
L<sub>70</sub>@ 100,000 hrs.

Extruded aluminum ballast housing is designed for aircraft cable or pendant mounting

Bottom glass trim ring features an inner opaque finish for increased diffusion

Bengal Silver finish standard, custom colours are available



12" and 16" acrylic reflectors and aluminum reflectors are offered. Custom colours are available.

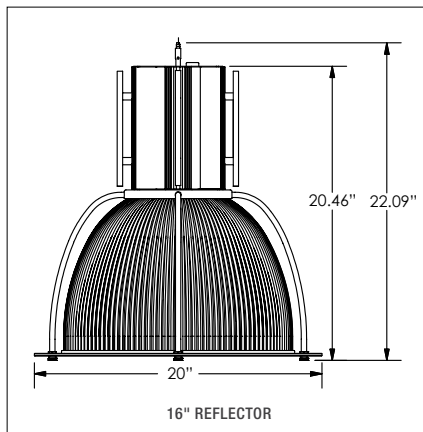
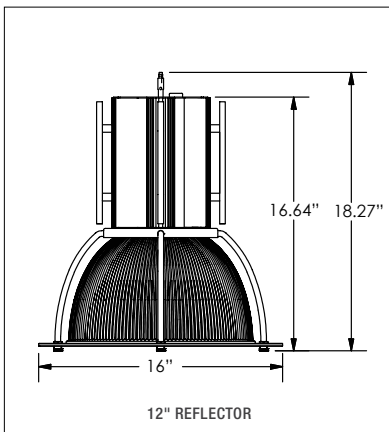
The **DRACO® BS710** is ideal for retail, open ceilings, lofts, offices, cafes and residential installations

## Configurations

MODEL	COLOUR TEMP	LENS DISTRIBUTION	REFLECTOR	MOUNTING	INPUT	OPTIONS
BS710LED	WT35 (3500K)	NBD (narrow 10°)	12ACT (12" acrylic clear)	AC <sup>2</sup> (aviation cable)	120-277VAC	CCH (custom colour housing)
	WT40 (4000K)	MBD (medium 20°)	12ART (12" acrylic red)	SPK <sup>2</sup> (single pendant kit)	347VAC	SPCW (spiral cord white)
	WT57 (5700K)	WBD (wide 36°)	12ABT (12" acrylic blue)	SVLPK <sup>3</sup> (swivel pendant)		SPCB (spiral cord black)
		NOL (no lens)	12AGT (12" acrylic green)			CR (custom colour reflector)
			12AAT (12" acrylic amber)			FP (fuse protection)
			12AL (12" aluminum)			
			16ACT <sup>1</sup> (16" acrylic clear)			
			16AL (16" aluminum)			

**NOTE<sup>1</sup>:** custom colours are available for 16" reflector; **NOTE<sup>2</sup>:** specify length for AC 50", 72", 100", 150", 250" fully adjustable; SPK & SVLPK option min 6"; **NOTE<sup>3</sup>:** specify length 24", 48" or custom, min 6"

## Dimensions



## Draco BS710 accessories

ORDER CODE	DESCRIPTION
50001053	aviation cable 50"
50001054	aviation cable 72"
50001055	aviation cable 100"
50001056	aviation cable 150"
AC250	aviation cable 250"
50001041	pendant kit 12"
50001042	pendant kit 18"
50001043	pendant kit 24"
50001044	pendant kit 36"
50001045	pendant kit 48"
PKCL	custom length pendant kit
SVLPK	swivel pendant kit

**MECHANICAL:**

Extruded aluminum housing with Bengal Silver powder coat as standard, custom finishes are available.

**ELECTRICAL:**

Drivers operate 100V-277V or 347V-480V, 50-60HZ. Fuse protection (FP) option available.

Power line/feed: 18/4 SJT straight white cord, 60" long, cord may be field cut. Power line/feed attached to housing for all mounting types.

**REFLECTOR:**

Clear (ACT) 12" & 16" acrylic prismatic reflector as standard. Also offered in red (ART), blue (ABT), green (AGT) & amber (AAT). Spun aluminum (AL) is also available in 12" & 16".

**INPUT POWER:**

35W

**LEDS:**

Powered by Samsung LEDs. White is offered in 3500K, 4000K & 5700K colour temperatures.

**LENS/DISTRIBUTION:**

Individual lenses are offered in 4 different distributions - NBD: 10°, MBD: 20°, WBD: 36° & NOL: no lens.

**GLASS TRIM:**

3/16" tempered opaque glass diffusing ring suspended by four (4) high polished, formed aluminum support arms.

**DIMMING:**

0-10V dimming standard.

**MOUNTING:**

Aviation cable standard in 50", 72", 100", 150", 250" or custom lengths, fully adjustable. The kit comes complete with a 1/4" deep, 5" diameter white canopy. Single pendant mount (SPK) measures 3/8" IPS (other dimensions are available). A swivel mount pendant (SVLPK) features 45° rotation.

**OPERATING TEMPERATURE:**

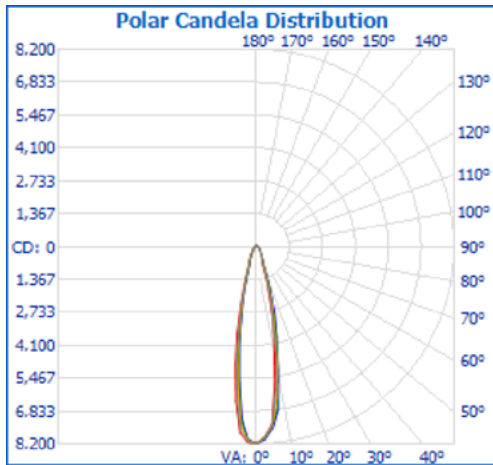
-30°C to +60°C

**WARRANTY:**

5 year LED warranty, see website for full warranty details.

**DRACO-BS710-WT41-WBD-16ACT-120-277V**

Luminous Intensity Distribution



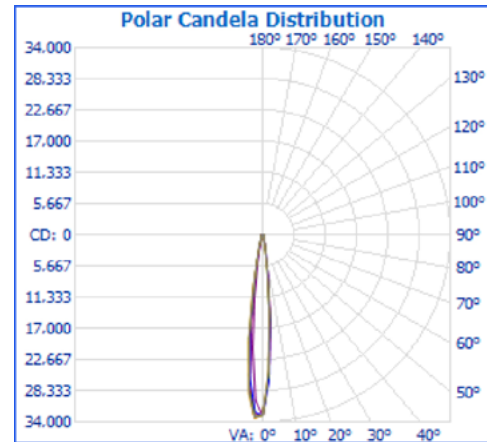
Efficiency Total:	100%	Lumen Rating:	2210
Efficacy Total:	63.32 lm/W	Input Wattage:	34.90W

**Zonal Lumen Summary**

ZONE	LUMENS	% LUMINAIRE
0-60	2032.8	92%
60-90	177.2	8.0%
0-90	2210	100%
90-180	0.0	0.0%
0-180	2210	100.0%

**DRACO-BS710-WT41-NBD-16ACT-120-277V**

Luminous Intensity Distribution



Efficiency Total:	100%	Lumen Rating:	2430
Efficacy Total:	69.31 lm/W	Input Wattage:	35.06W

**Zonal Lumen Summary**

ZONE	LUMENS	% LUMINAIRE
0-60	2252.7	89.6%
60-90	98.1	3.9%
0-90	2350.7	93.5%
90-180	162.7	6.5%
0-180	2513.4	100.0%

**Energy Chart**

MODEL	EFFICACY	WATTAGE	LUMEN OUTPUT	CRI	BEAM ANGLE	*L70 HOURS
DRACO BS710-4000K-MEDIUM	62 lm/W	35	2183	80+	18°	>100,000
DRACO BS710-4000K-WIDE	63 lm/W	35	2210	80+	22°	>100,000
DRACO BS710-4000K-NARROW	69 lm/W	35	2430	80+	13°	>100,000
DRACO BS710-5700K-MEDIUM	69 lm/W	35	2406	70+	18°	>100,000
DRACO BS710-5700K-WIDE	70 lm/W	35	2456	70+	22°	>100,000
DRACO BS710-5700K NARROW	84 lm/W	35	2923	70+	13°	>100,000

NOTE: tested at 25.3°C; Operating temperature: -30°C to +60°C

Draco® BS710