

CAS

HAZARDOUS HIGH BAY

Type: _____

Project: _____

Delivered Lumens:
21,313 lm

Input Wattage:
180W

Efficacy:
up to 118 lm/W

Colour Temperatures:
4000K

Projected Lumen Maintenance:
L₇₀@ >54,000 hrs.

The **CASTEX** is a hazardous location LED lighting fixture.

Class I Division 2, Groups A, B, C and D;
Group II, Zone 1 & Zone 2; Zone 21 & 22.

The **CASTEX** comes standard in grey powder coat finish.

The **CASTEX** is ideal for heavy industries, wastewater treatment plants, refineries, chemical industries, coastal marine facilities, and corrosive applications.

The **CASTEX** comes standard with an adjustable surface mount bracket.



Configurations

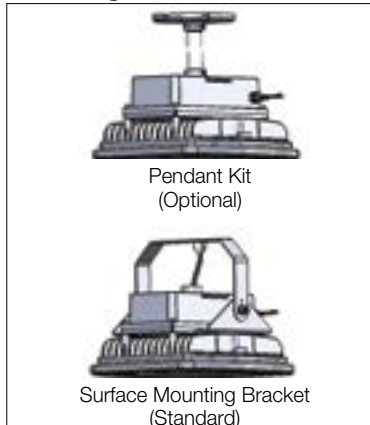
MODEL	OPERATION	OUTPUT	COLOUR TEMPERATURE	DISTRIBUTION	INPUT	MOUNTING
CAS	HT (AC only)	HO (21,313 lm)	WT40 (4000K)	WBD (wide beam)	120-277V	[BLANK] (surface mount) PK ¹ (pendant kit)

NOTE¹: specify length for PK: 12", 24", 48", for other specify.

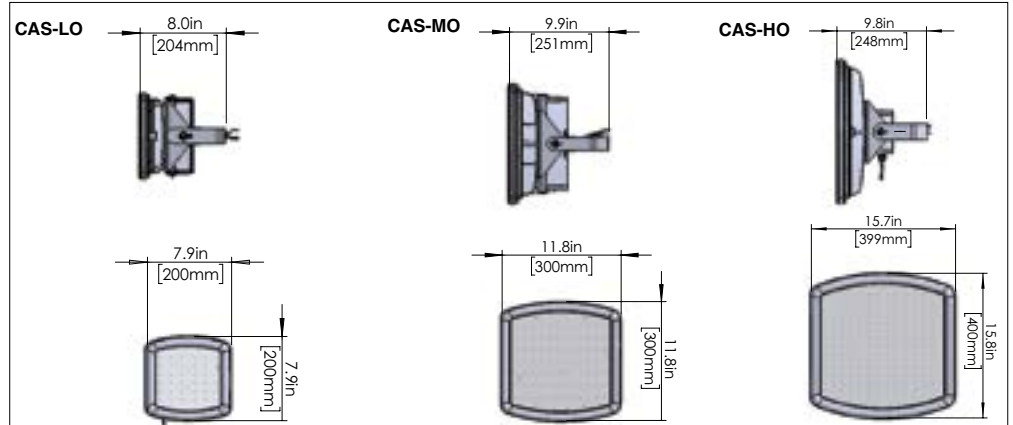
Pre-Built Inventory

ORDERING CODE	SHORT DESCRIPTION	LONG DESCRIPTION
19001132	CAS-HT-HO-WT40-WBD-120-277V	CASTEX HAZARDOUS LED LIGHTING FIXTURE. C1D2 IP67 180W 4000K 120/277V INPUT C/W 72in 5-CONDUCTORS BLACK CORD AND SURF

Mounting



Dimensions



Castex Accessories

ORDER CODE	DESCRIPTION
50001041	pendant kit 12"
50001043	pendant kit 24"
50001045	pendant kit 48"

CASTEX

HAZARDOUS:

Class I Division 2, Groups A,B,C and D;
Group II, Zone 1 & Zone 2; Zone 21 & 22.

HOUSING:

Cast aluminum heat sink with grey powder coat finish.

ELECTRICAL:

AC Input: 120-277V, 50-60Hz.

LENS:

4mm thick tempered glass lens.

OPERATING TEMPERATURE:

-40°C to +50°C

DIMMING:

0 - 10V dimming to 10% is standard. Compatible with most dimming systems.

MOUNTING:

Surface mount is standard with 3mm thick steel adjustable 135° mounting bracket. Pendant is available as an option.

POWER LINE/FEED:

18/2-conductor low voltage cord (dimming); 6 ft in length. 18/3-conductor power cord (AC input); 6 ft in length.

WEIGHT:

HO: 25.4 lbs/11.5 kg

WARRANTY:

5 year LED warranty, see website for full warranty details.

Energy Chart

MODEL	EFFICACY	WATTAGE	LUMEN OUTPUT	CRI	L70 HOURS	BUG RATING
CAS-HT-HO-WT40-WBD-120-277V	118 lm/W	180	21313	>70	>54,000	B5 U2 G3