

CAS-3

HAZARDOUS HIGHBAY

Type: _____

Project: _____

Delivered Lumens:
6,750 – 9,750 lm

Input Wattage:
45W, 65W

Efficacy:
up to 150 lm/W

Colour Temperatures:
3000K, 4000K, 5000K

Projected Lumen Maintenance:
L₇₀@ >54,000 hrs.

The **CASTEX** comes standard in grey powder coat finish



Pendant or stanchion mounting is available.

UL 1598A Marine (Salt Water)
Tested 1000hrs to standard
ASTM-B117-11

The **CASTEX** is ideal for heavy industries, wastewater treatment plants, shipyards, chemical processing facilities, petrochemical and paper mills.

Configurations

SERIES	OUTPUT	COLOUR TEMP.	HAZARD	LENS	INPUT	MOUNTING
CAS-3	LO (45W)	W3 (3000K)	B (C1D2, C2D1, C2D2, C3)	C (Clear lens)	120-277V	P (Pendant)
	HO (65W)	W4 (4000K)		D (Diffuse lens)	347V ¹	S (Ceiling/Wall Stanchion)
		W5 (5000K)		O (Drop lens)		

NOTE¹: 347V wattages are 40W & 60W

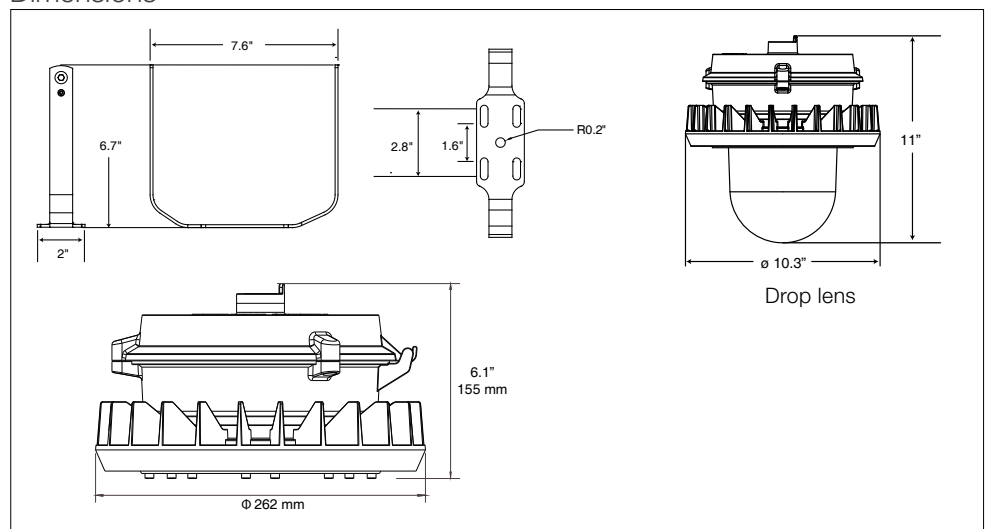
Pre-Built Inventory

ORDERING CODE	SHORT DESCRIPTION	LONG DESCRIPTION
19001245	CAS-3-HO-W4-B-D-120-277V-S	CASTEX HAZARDOUS HIGHBAY 65W 4000K DIFFUSE LENS 120-277V INPUT STANCHION MOUNT
19001248	CAS-3-LO-W4-B-C-347V-P	CASTEX HAZARDOUS HIGHBAY 45W 4000K CLEAR LENS 347V INPUT PENDANT MOUNT
19001243	CAS-3-LO-W5-B-C-120-277V-P	CASTEX HAZARDOUS HIGHBAY 45W 5000K CLEAR LENS 120-277V INPUT PENDANT MOUNT

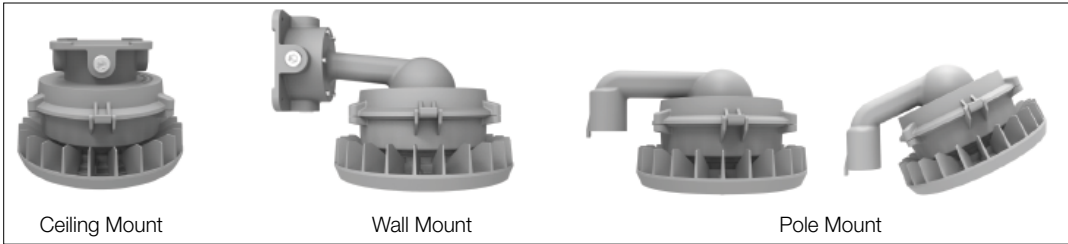
Castex-3 Accessories

ORDER CODE	DESCRIPTION
50001025	pendant mount
S	stanchion mount
UB	u-bracket (P)
JB	junction box NPT 3/4" (S)
WM1	wall mount 25° (S)
WM2	wall mount 90° (S)
PM12	pole mount 25° NPT 1.25" (S)
50001028	pole mount 25° NPT 1.5" (S)
50001029	pole mount 90° NPT 2.25" (S)
PM25	pole mount 90° NPT 2.5" (S)
50001070	safety cable
WG	wireguard
WGO	wireguard for drop lens

Dimensions



Mounting



HAZARDOUS:

Class I, Division 2, Groups A, B, C, D – T4A
 Class II, Division 1, Groups E, F, G – T5
 Class II, Division 2, Groups F, G – T5
 Class III – T5

HOUSING:

Copper-free aluminum housing with separate driver enclosure for superior thermal management. Standard in a grey electrostatic powder coating. All external fasteners are stainless steel 316.

WEIGHT:

9.3 lbs / 4.2 kg

ELECTRICAL:

AC Input: 120-277V, 50-60Hz.
 AC Input: 347V, 50-60Hz.
 Drivers are standard with 4kV surge protection

LENS:

The clear impact-resistant tempered glass lens has a 110° beam angle and is available in an optional diffuse finish.

TEMPERATURE RATINGS:

Based on the surface temperature of the fixture;
 – Class I Division 2 is rated T4A, except for all the configurations that are 40 W and 347V (will not exceed 120°C)
 – Class II Division 1 Division 2 & Class III are rated T5 (will not exceed 100°C)

OPERATING TEMPERATURE:

120-277V: -40°C to +55°C
 347V & 60W: -40°C to +52°C

MOUNTING:

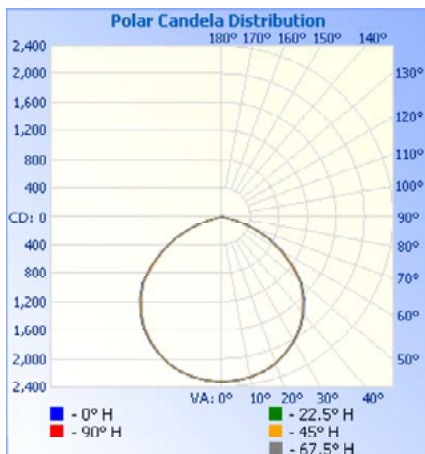
Pendant mount (P) or Stanchion mount (S) are standard. Stainless steel u-bracket (UB) for adjustable wall or ceiling mounting, Junction box mount (JB), 25° or 90° wall mount (WM) and 25° or 90° pole mount (PM) are available as options.

WARRANTY:

5 year LED warranty, see website for full warranty details.

CAS-3LOW4BC120

Luminous Intensity Distribution

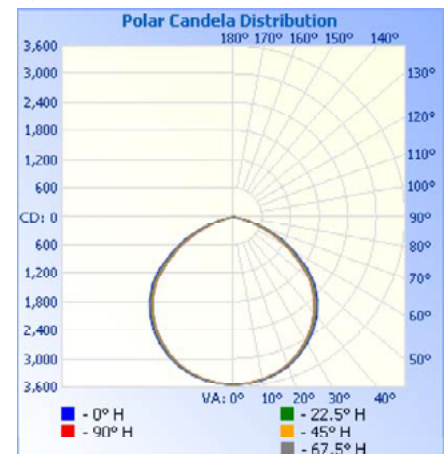


Zonal Lumen Summary

ZONE	LUMENS	% LUMINAIRE
0-30	1829	29%
0-40	3019	48%
0-60	5339	85%
60-90	951	15%
0-90	6289	100%

CAS-3HOW4BC120

Luminous Intensity Distribution



Zonal Lumen Summary

ZONE	LUMENS	% LUMINAIRE
0-30	2778	30%
0-40	4572	49%
0-60	7007	86%
60-90	1331	14%
0-90	9338	100%

Energy Chart

MODEL	EFFICACY	LUMEN OUTPUT	WATTAGE	CRI	L70 HOURS	BUG RATING
CAS-3LOW3BC120	144 lm/W	6483	45W	>70	> 54,000	B4-U0-G1
CAS-3LOW4BC120	140 lm/W	6289	45W	>70	> 54,000	B4-U0-G1
CAS-3HOW3BC120	148 lm/W	9620	65W	>70	> 54,000	B4-U0-G1
CAS-3HOW4BC120	144 lm/W	9338	65W	>70	> 54,000	B4-U0-G1

CASTEX-3