

CAS-1

HAZARDOUS FLOODLIGHT

Type: _____

Project: _____

Delivered Lumens:
4,400 - 10,400 lm

Input Wattage:
40W, 80W

Efficacy:
up to 133 lm/W

Colour Temperatures:
3000K, 4000K, 5000K

Projected Lumen Maintenance:
L₉₀@ >43,000 hrs.

Class I, Division 1, Groups C, D
Class I, Division 2, Groups A, B, C, D

The **CASTEX** is ideal for mining, wastewater treatment plants, marine platforms, chemical processing facilities, and petrochemical.



The **CASTEX** comes standard with pendant mounting.

The **CASTEX** comes standard in grey powder coat finish.

UL 1598A Marine (Salt Water)

Tested 1000hrs to standard ASTM-B117-11

Configurations

SERIES	OPERATION	OUTPUT	COLOUR TEMP.	HAZARD	DISTRIBUTION	LENS	INPUT	MOUNTING
CAS-1	[Blank] AC	LO ¹ (40W)	W3 (3000K)	A ² (AC - C1D1, C1D2)	M (Medium 60°)	C ⁵ (Clear lens)	120-277V	[blank] (Pendant - std.)
	SA ³ (Emergency)	HO (80W)	W4 (4000K)	B ³ (SA - C1D1)	W (Wide 110°)	D (Diffuse lens)	347V ⁴	
			W5 (5000K)					

NOTE¹: the 40W LO option is only available on the AC model; **NOTE²:** Hazardous location A is only available for AC models; **NOTE³:** Hazardous location B is only available for SA models; **NOTE⁴:** the 347V option is only available on the AC model; **NOTE⁵:** M and T2 distributions are only available with clear lens

Pre-Built Inventory

ORDERING CODE	SHORT DESCRIPTION	LONG DESCRIPTION
19001251	CAS-1-HO-W4-A-W-C-120-277V	CASTEX HAZARDOUS FLOODLIGHT C1D1 & C1D2 80W 4000K 120-277V INPUT WITH 110 DEGREE WIDE DISTRIBUTION CLEAR LENS
19001247	CAS-1-HO-W4-A-W-D-120-277V	CASTEX HAZARDOUS FLOODLIGHT C1D1 & C1D2 80W 4000K 120-277V INPUT WITH 110 DEGREE WIDE DISTRIBUTION DIFFUSE LENS
19001240	CAS-1-HO-W5-A-W-C-120-277V	CASTEX HAZARDOUS FLOODLIGHT C1D1 & C1D2 80W 5000K 120-277V INPUT
19001246	CAS-1-LO-W4-A-M-C-120-277V	CASTEX HAZARDOUS FLOODLIGHT C1D1 & C1D2 40W 4000K MEDIUM60 CLEAR LENS 120-277V INPUT
19001244	CAS-1-LO-W4-A-W-C-347V	CASTEX HAZARDOUS FLOODLIGHT C1D1 & C1D2 40W 4000K WIDE 110 CLEAR LENS 347V INPUT

Castex-1 Accessories

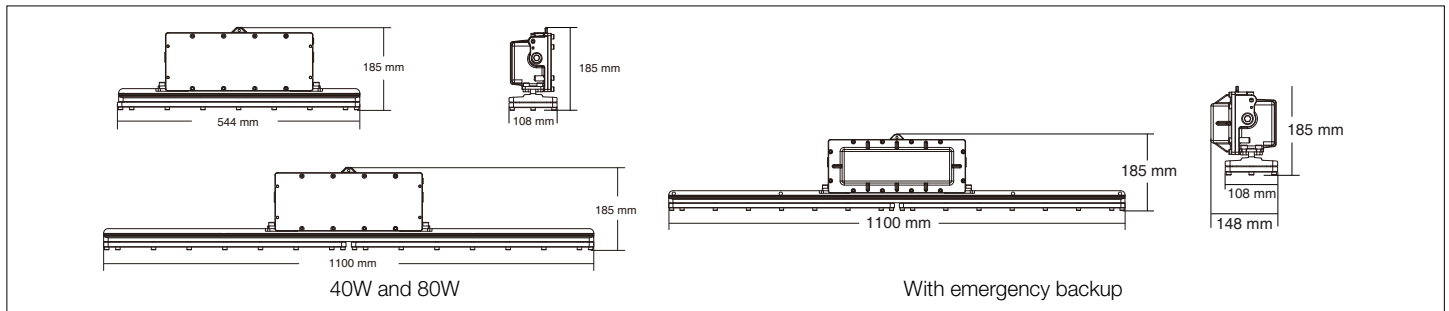
ORDER CODE	DESCRIPTION
SM	adjustable surface mount
PM1	pole mount 7/8"
PM2	pole mount 3/8"
50001070	safety cable

Mounting



CAS-1

Dimensions



HAZARDOUS:

Class I, Division 1, Groups C, D – T6
Class I, Division 2, Groups A, B, C, D – T3C

HOUSING:

Copper-free aluminum housing with separate driver enclosure for superior thermal management. Standard in a grey electrostatic powder coating. All external fasteners are stainless steel 316.

TEMPERATURE RATINGS:

Based on the surface temperature of the fixture;
– Class I Division 1, Group C, D is rated T6 (will not exceed 85°C)
– Class I Division 2, Group A, B, C, D is rated T3C (will not exceed 160°C)

ELECTRICAL:

AC Input: 120-277V, 50-60Hz.
AC Input: 347V, 50-60Hz.
Drivers are standard with 4kV surge protection

LENS:

The Castex has an external clear impact-resistant glass lens and an internal PMMA lens. The 110° beam angle is standard and is available in an optional diffuse finish. Optional 60° and type II beam angles are also available.

EMERGENCY BACKUP (SA)

Emergency backup with ni-cd batteries provides 812 lumens for 90 minutes. Rated load 6W in emergency mode. Charge time for 24 hrs, discharge time of 1.5 hrs.

OPERATING TEMPERATURE:

HT: -40°C to +60°C
SA: -20° to +45°C

MOUNTING:

Pendant mount is standard. Adjustable wall or ceiling mount bracket (SM), and pole mount (PM) are available as options.

WEIGHT:

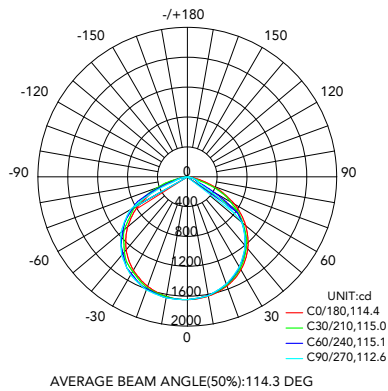
LO: 16.1 lbs / 7.3 kg
HO: 23.8 lbs / 10.8 kg
SA: 26.9 LBS / 12.2 kg

WARRANTY:

5 year LED warranty, see website for full warranty details.

CAS-1LOW4AWC120

Luminous Intensity Distribution

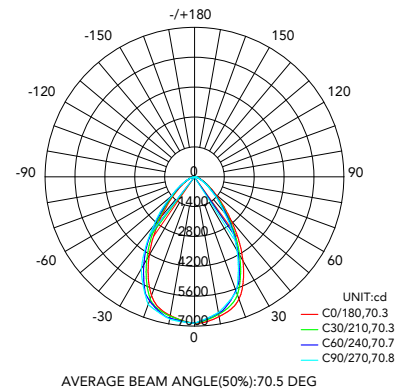


Zonal Lumen Summary

ZONE	LUMENS	% LUMINAIRE
0-30	1303	29%
0-40	2158	48%
0-60	3828	86%
60-90	644	14%
0-90	4472	100%

CAS-1HOW4AMC120

Luminous Intensity Distribution



Zonal Lumen Summary

ZONE	LUMENS	% LUMINAIRE
0-30	4822	50%
0-40	6986	72%
0-60	9216	95%
60-90	526	5%
0-90	9742	100%

Energy Chart

MODEL	EFFICACY	LUMEN OUTPUT	WATTAGE
CAS-1LOW3AMC120	113	4510	40
CAS-1LOW3AWC120	111	4436	40
CAS-1LOW3AWD120	88	3511	40
CAS-1LOW4AMC120	115	4614	40
CAS-1LOW4AWC120	112	4472	40
CAS-1LOW4AWD120	88	3511	40
CAS-1LOW5AWC120	133	5356	40
CAS-1LOW5AWD120	120	4800	40
CAS-1HOW3AMC120	122	9733	80
CAS-1HOW3AWC120	117	9546	80
CAS-1HOW3AWD120	95	7604	80

MODEL	EFFICACY	LUMEN OUTPUT	WATTAGE
CAS-1HOW4AMC120	122	9742	80
CAS-1HOW4AWC120	119	9554	80
CAS-1HOW4AWD120	94	7520	80
CAS-1HOW5AMC120	131	10457	80
CAS-1HOW5AWC120	126	10057	80
CAS-1HOW5AWD120	100	8035	80