

BS100LED 2 PLUS

INDUSTRIAL

Type: _____

Project: _____

Delivered Lumens:
5518 lm - 8299 lm

Input Wattage:
50W or 70W

Efficacy:
up to 121 lm/W

Colour Temperatures:
3500K, 5000K

Projected Lumen Maintenance:
L₇₀@ >60,000 hrs.

More power in a smaller package

100% UV stabilized polycarbonate housing, liquid silicone perimeter gasket

100% UV stabilized polycarbonate diffuser eliminates glare and is integrated with crystals that enhance even light distribution



The **BS100LED** vapor tight is corrosion, flame and vandal resistant

Surface mount standard, 9 optional mounting configurations available

The **BS100LED** unique three piece design that allows effortless assembly without any tools

Configurations

MODEL	LENGTH	OPERATION	POWER	COLOUR TEMP	INPUT	MOUNTING	OPTIONS
BS100LEDPLUS	2 (2ft)	HT (AC only)	LO	WT35 (3500K)	120-277V	[BLANK] (surface mount - std.)	SS (stainless steel clips)
			HO	WT50 (5000K)	347V	[BLANK] (chain hang kit - std.)	FP ⁴ (fuse protection)
						AC ¹ (aircraft cable kit)	TP ³ (4 tamper proof screws)
						SPK ² (single pendant kit)	EM ⁴ (remote emergency backup)
						DPK ² (double pendant kit)	SP (10kA surge protection)
						JM ⁵ (direct mount to j-box)	EOS01 (PIR, end mount, step-dimming, 120-277V (8-15'MH))
						MM (magnetic mount)	EOS02 (PIR, end mount, step-dimming, 347V (8-15'MH))
						PM (pivot mount)	EOS06 (PIR, end mount, step-dimming, 347V (40'MH))
							EOS09 (PIR, end mount, On/Off, 120-277V (40'MH))
							IOS01 (microwave, internal mount, On/Off, 120-277V (15'MH))
							IOS02 (microwave, internal mount, Step-dimming, 120-347V (26'MH))
							LOS01 (PIR, lens mount, step-dimming, 120-277V (8'MH))
							LOS02 (PIR, lens mount, step-dimming, 347V (8'MH))

NOTE: Limited quantities available; **NOTE:** Specify length for AC: 50", 72", 100", 150", 250" fully adjustable; **NOTE:** SPK, DPK & TM options, min. 6"; **NOTE:** TP-tamper proof screws require a special bit (TPB), order as needed; **NOTE:** EM and FP are not available in 347V; **NOTE:** JM - the unit is no longer wet location / IP66 rated and voids Sanitation Listing;

HOUSING:

100% UV stabilized polycarbonate, liquid silicone perimeter gasket with memory retention.

DIFFUSER:

Frosted UV stabilized polycarbonate diffuser, eliminates glare and provides even distribution.

REFLECTOR:

Flat, steel reflector system finished in durable white powder coat. The reflector system holds all electrical components.

ELECTRICAL:

Available in 3500K or 5000K colour temperatures. High efficiency driver operates 100V through 277V or 347V, 50-60HZ. L70 up to 60,000 hours.

EM (AC & EMERGENCY):

Remote emergency backup provides a minimum 90 minutes emergency operation. Initial lumen output during emergency operation is 2354.

AC POWER CONNECTION:

3-wire, solid type 18awg, pre-stripped. Leads for quick in-field connection and hot load disconnect feature.

MOUNTING:

Surface mount configuration is standard with integrated stainless steel mounting brackets. Additional mounting systems are available: including aviation cable, pendants, chain, magnetic, pivot and direct to junction box configurations. Suspension height is to be specified when ordering any suspension mount units: AC, SPK, DPK. Junction mount (JM) configuration allows for direct mount to recessed junction box.

WEIGHT:

5 lbs. / 2.27 kg.

OPERATING TEMPERATURE:

HT: -40°C to 40°C
EM: 0°C to 40°C

DIMMING:

0 - 10V dimming is standard (1-100%). Compatible with most dimming systems, contact factory for more information.

SANITATION LISTED:

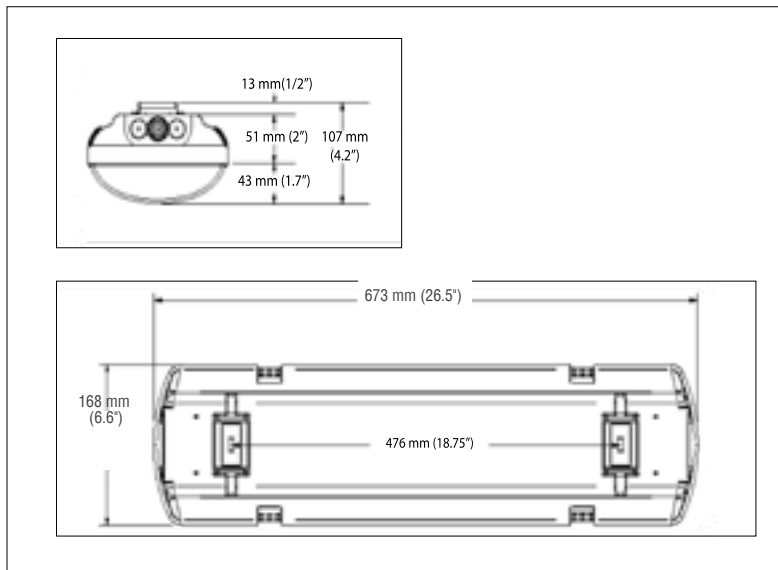
Equivalent to the NSF standard No.2. The **BS100LED-2FT** is suitable for use in food equipment environments.

WARRANTY:

5 year LED warranty, see website for full warranty details.

BS100LED-2FT PLUS

Dimensions



BS100LED 2FT Plus Accessories

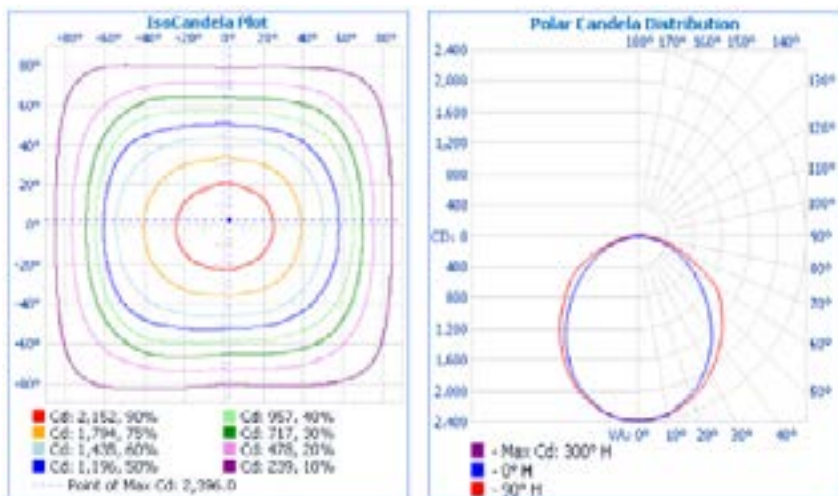
MODEL	DESCRIPTION
50001053	² aviation cable 50"
50001054	² aviation cable 72"
50001055	² aviation cable 100"
50001056	² aviation cable 150"
AC250	² aviation cable 250"
50001041	¹ pendant kit 12"
50001042	¹ pendant kit 18"
50001043	¹ pendant kit 24"
50001044	¹ pendant kit 36"
50001045	pendant kit 48"
DPK12	double pendant kit 12"
DPK24	double pendant kit 24"
DPK36	double pendant kit 36"
DPK48	double pendant kit 48"
DPK96	double pendant kit 96"
50001030	pivot mounting
JM	junction box mount
50001024	magnetic mounting

NOTE: PK & SVLPK, options, min 6"

NOTE: specify length for AC: 50", 72", 150", 250" fully adjustable

BS100LED2-PLUS-2HT-HO-WT35-120-277V

Luminous Intensity Distribution



Zonal Lumen Summary

ZONE	LUMENS	% LUMINAIRE
0-30	2028	27%
0-40	3313	44%
0-60	5802	77%
60-90	1614	21%
0-180	7546	100%

Energy Chart

MODEL	LENGTH	EFFICACY	WATTAGE	LUMEN OUTPUT	CRI	L70 ¹ HOURS
BS100LED-PLUS-2HT-LO-WT35-120-277V	2ft	110 lm/W	50	5518	>80	>60,000
BS100LED-PLUS-2HT-LO-WT50-120-277V	2ft	121 lm/W	50	6069	>80	>60,000
BS100LED-PLUS-2HT-HO-WT35-120-277V	2ft	108 lm/W	70	7546	>80	>60,000
BS100LED-PLUS-2HT-HO-WT50-120-277V	2ft	119 lm/W	70	8299	>80	>60,000

NOTES: Actual performance may vary between +/-5% of initial lumen output NOTE¹: Calculated as per TM-21-11. Limited by 6X LM80 test duration.

Emergency Mode - Remote

MODEL	LENGTH	EFFICACY	WATTAGE	LUMEN OUTPUT	CRI	L70 HOURS
BS100LED-PLUS-2-XX-WT**120-277V-EM	2ft	-	20	2354	>80	-

BS100LED-2FT PLUS