

# BS100LED-2FT

INDUSTRIAL

Type: \_\_\_\_\_

Project: \_\_\_\_\_

**Delivered Lumens:**  
3585 lm - 5065 lm

**Input Wattage:**  
30W or 40W

**Efficacy:**  
up to 127 lm/W

**Colour Temperatures:**  
3500K, 4000k, 5000K

**Projected Lumen Maintenance:**  
L<sub>70</sub>@ >60,000 hrs.

100% UV stabilized polycarbonate housing, liquid silicone perimeter gasket



100% UV stabilized polycarbonate diffuser eliminates glare and is integrated with crystals that enhance even light distribution

The **BS100LED** vapor tight is corrosion, flame and vandal resistant

Surface mount standard, 9 optional mounting configurations available

The **BS100LED** unique three piece design that allows effortless assembly without any tools

## Configurations

MODEL	LENGTH	OPERATION	POWER	COLOUR TEMP	INPUT	MOUNTING	OPTIONS
BS100LED	2 (2ft)	HT (AC only)	LO (3796lm)	WT35 (3500K)	120-277V	[BLANK] (surface mount - std.)	FP <sup>1</sup> (fuse protection)
		SA <sup>1</sup> (AC & EM)	MO (5062lm)	WT40 (4000K)	347V	[BLANK] (chain hang kit - std.)	TP <sup>5</sup> (4 tamper proof screws)
				WT50 (5000K)		AC <sup>2</sup> (aircraft cable kit)	SP (10kA surge protection)
						SPK <sup>3</sup> (single pendant kit)	SS (stainless steel clips)
						DPK <sup>3</sup> (double pendant kit)	EOS01 (PIR, end mount, step-dimming, 120-277V (8-15'MH))
						JM <sup>4</sup> (direct mount to j-box)	EOS02 (PIR, end mount, step-dimming, 347V (8-15'MH))
						MM (magnetic mount)	EOS06 (PIR, end mount, step-dimming, 347V (40'MH))
						PM (pivot mount)	EOS09 (PIR, end mount, On/Off, 120-277V (40'MH))
							IOS01 (microwave, internal mount, On/Off, 120-277V (15'MH))
							IOS02 (microwave, internal mount, Step-dimming, 120-347V (26'MH))
							LOS01 (PIR, lens mount, step-dimming, 120-277V (8'MH))
							LOS02 (PIR, lens mount, step-dimming, 347V (8'MH))

**NOTE<sup>1</sup>:** SA and FP are not available for 347V; **NOTE<sup>2</sup>:** specify length for AC: 72", 150", 250" fully adjustable; **NOTE<sup>3</sup>:** SPK, DPK, SVLPK & TM options, min 6"; **NOTE<sup>4</sup>:** the unit is no longer wet location / IP66 / Sanitation listed; **NOTE<sup>5</sup>:** TPSB - tamper proof screws require a special bit (TPSB), order as needed.

### HOUSING:

UV stabilized polycarbonate, liquid silicone perimeter gasket with memory retention.

### REFLECTOR:

Angled, steel reflector system finished in durable white powder coat. The reflector system holds all electrical components.

### ELECTRICAL:

Available in 3500K, 4000K or 5000K colour temperatures. High efficiency driver operates 100V through 277V or 347V, 50-60HZ. L70 at over 60,000 hours.

### SA (AC & EMERGENCY):

Integral emergency backup provides a minimum 90 minutes emergency operation. Initial lumen output during emergency operation is 1107.

### AC POWER CONNECTION:

3-wire, solid type 18awg, pre-stripped. Leads for quick in-field connection and hot load disconnect feature.

### MOUNTING:

Surface mount configuration is standard with integrated stainless steel mounting brackets. Additional mounting systems are available: including aviation cable, pendants, chain, magnetic, pivot and direct to junction box configurations.

Suspension height is to be specified when ordering any suspension mount units: AC, SPK, DPK. Junction mount (JM) configuration allows for direct mount to recessed junction box.

### SANITATION LISTED:

Equivalent to the NSF standard No. 2 and is suitable for use in food equipment environments.

### WEIGHT:

5 lbs. / 2.27 kilo.

### DIMMING:

0 - 10V dimming is standard to 1%. Compatible with most dimming systems, contact factory for more information.

### OPERATING TEMPERATURE:

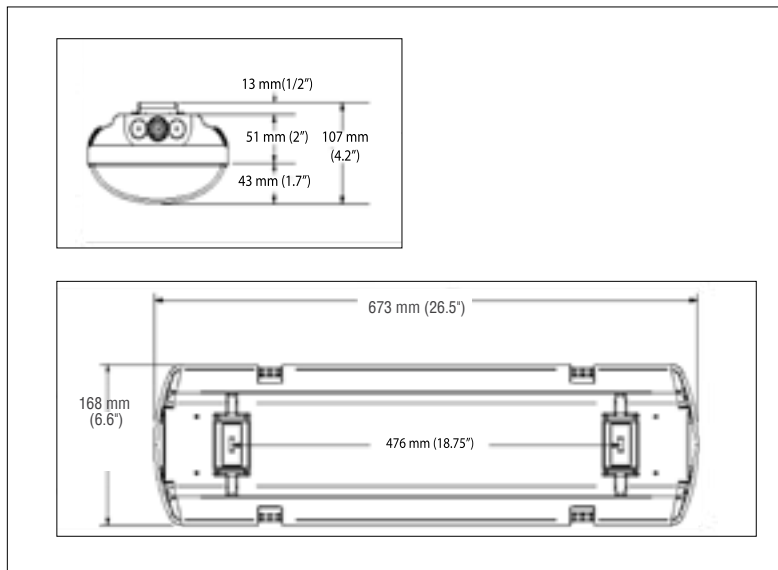
HT: -40°C to 40°C  
SA: 0°C to 40°C

### WARRANTY:

5 year LED warranty, see website for full warranty details.

## BS100LED-2FT

## Dimensions



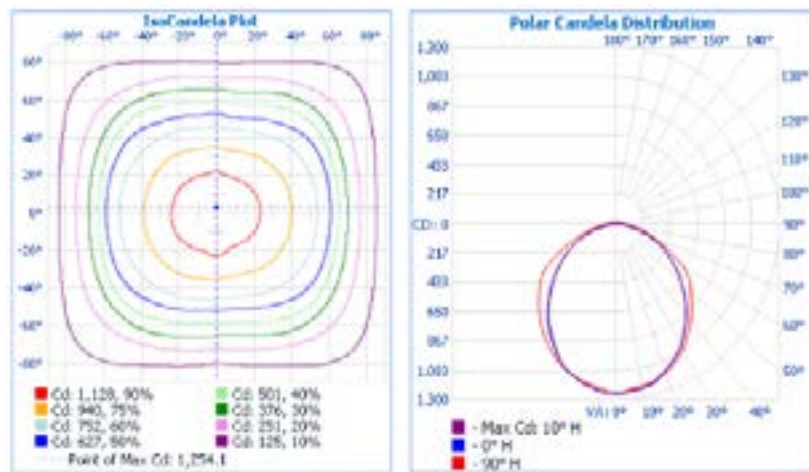
## BS100LED 2FT Accessories

MODEL	DESCRIPTION
50001053	aviation cable 50"
50001054	aviation cable 72"
50001055	aviation cable 100"
50001056	aviation cable 150"
AC250	aviation cable 250"
50001041	pendant kit 12"
50001042	pendant kit 18"
50001043	pendant kit 24"
50001044	pendant kit 36"
50001045	pendant kit 48"
DPK12	double pendant kit 12"
DPK24	double pendant kit 24"
DPK36	double pendant kit 36"
DPK48	double pendant kit 48"
DPK96	double pendant kit 96"
50001030	pivot mounting
JM	junction box mount
50001024	magnetic mounting

NOTE<sup>1</sup>: PK & SVLPK, options, min 6"  
 NOTE<sup>2</sup>: specify length for AC: 50", 72", 150", 250" fully adjustable

## BS100LED-2HT-LO-WT35-120-277V

### Luminous Intensity Distribution



### Zonal Lumen Summary

ZONE	LUMENS	% LUMINAIRE
0-30	959	26%
0-40	1567	42%
0-60	2776	75%
60-90	816	22%
0-180	3585	100%

## Energy Chart

MODEL	LENGTH	EFFICACY	WATTAGE	LUMEN OUTPUT	CRI	L70 <sup>1</sup> HOURS
BS100LED-2HT-LO-WT35-120-277V	2ft	120 lm/W	30	3585	>80	>60,000
BS100LED-2HT-LO-WT40-120-277V	2ft	123 lm/W	30	3691	>80	>60,000
BS100LED-2HT-LO-WT50-120-277V	2ft	127 lm/W	30	3796	>80	>60,000
BS100LED-2HT-MO-WT35-120-277V	2ft	120 lm/W	40	4780	>80	>60,000
BS100LED-2HT-MO-WT40-120-277V	2ft	123 lm/W	40	4921	>80	>60,000
BS100LED-2HT-MO-WT50-120-277V	2ft	127 lm/W	40	5062	>80	>60,000

NOTES: Actual performance may vary between +/-5% of initial lumen output NOTE<sup>1</sup>: Calculated as per TM-21-11. Limited by 6X LM80 test duration.

## Emergency Mode

MODEL	LENGTH	EFFICACY	WATTAGE	LUMEN OUTPUT	CRI	L70 HOURS
BS100LED-2-SA-XX-WT**120-277V	2ft	-	10	1107	>80	-

BS100LED-2FT

PHOTOMETRIC DATA