



Conforms to
ANSI / NSF
STD NO. 2



WET/ IP66
NEMA 4X



VANDAL
RESISTANT



COLD



BRAVADO UNIT

Die-cast Aluminum Battery Unit

Project Name: _____ Model Number: _____
Prepared By: _____ Date: _____

FEATURES & BENEFITS

- Durable, fully gasketed die-cast aluminum housing
- Vandal resistant design
- Performance optics allows up to 70 foot spacing on center
- Clear polycarbonate lens
- Suitable for surface wall & ceiling mounting, NEMA 4X, IP66 installations
- Standard with an LED status indicator and test switch under the lens
- Utilizes a high-efficiency two stage charger providing precise float voltage control with low voltage disconnect protection
- Lamp and reflector assemblies are offered in a fully adjustable, high output MR16 halogen or LED configuration
- CSA 22.2 No. 141-15 Performance Certified

BATTERY TECHNOLOGY

Designed with a maintenance free, sealed valve regulated lead acid battery that provides a minimum emergency duration of 30 minutes. Ni-Cd batteries are optional. Recharge time of the battery is less than twenty-four [24] hours. The maximum battery operating temperature is +40°C and the minimum is +10°C.

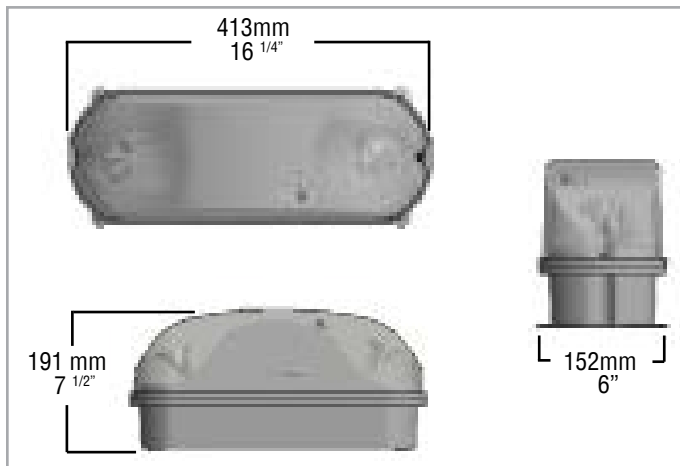
BELUCE AUTO-TEST (AT)

The BeLuce auto-test system automatically performs one 5 minute discharge test monthly and every 6 months it performs two 30 minute discharge tests, 24 hours apart. This tests both full battery capacity and recharge capability.

MODEL RATING GUIDE

MODEL	VOLTAGE (OUTPUT)	30MIN	VOLTAGE 90MIN	120MIN
BRV-6-36	6	36	18	10
BRV-6-50	6	50	18	15
BRV-6-50-NC	6	50	22	18
BRV-6-72	6	72	27	22
BRV-6-80	6	80	27	24
BRV-6-90	6	90	36	27
BRV-6-100-NC	6	100	42	35
BRV-6-160	6	160	60	48
BRV-12-36	12	36	N/A	10
BRV-12-72	12	72	27	22
BRV-12-90	12	90	36	27
BRV-12-100-NC	12	100	45	35
BRV-12-120	12	120	65	36
BRV-12-150	12	150	65	45

DIMENSIONS



LAMP SELECTION

	6V	12V
LED	5, 7W	2, 5, 7W

ORDERING GUIDE

BRV - - - - -

SERIES	OPERATION	CAPACITY	LAMP TYPE	VOLTAGE	OPTIONS
BRV	6 (Volt DC) 12 (Volt DC)	See modal rating guide	See lamp selection	120/277/347V 120V 277V 347V	NC (Ni-Cd batteries, see guide) ⁶ WG (Wireguard) AT (Auto-test self-diagnostics) ¹ TD (Time delay - specify 0, 5, 10 or 20 minutes) ³ A (Ammeter) IH (Internal heater - single AC voltages only) ³ V (Voltmeter) ATA (Auto-test alarm - 12V only) ² FAI (Fire alarm interface - specify) IRT (Infrared remote - 120V, 347V only) ⁴ HHC (Handheld controller) ⁵ RFS (Radio frequency suppression) – specify AC MT (Magnetic test switch)

NOTE: ¹Only available in units 120W and below with single input. ²Open/closed available for 120V, 12-24 VDC available with all input voltages. ³Available with 100W and below. ⁴IRT option required. ⁵Available with 6-50W and below; 12-120W and below. ⁶Use wire guard accessory #50001095

