

# BL736LED

HIGHBAY

Type: \_\_\_\_\_

Project: \_\_\_\_\_

**Delivered Lumens:**  
15,000 - 24,210 lm

**Input Wattage:**  
150W - 230W

**Efficacy:**  
Up to 103 lm/W

**Colour Temperatures:**  
3500K, 4000K, 5000K

**Projected Lumen Maintenance:**  
L<sub>80</sub> @ >60,000 hrs.



Surface and chain mount standard; hook, t-bar and pendant mounting optional

Weight: 15 lbs. / 7 kg.

Parabolic aluminium reflector and microprismatic tempered glass diffuser provides optimized light distribution and glare reduction.

The **BOXLED®** is wet location, IP66 rated. Durable powder coated die-cast construction provides resistance against moisture, dust and corrosion.

The **BOXLED®** is ideal for damp or wet applications including food preparations areas, warehouses, factories, gymnasiums, loading docks, logistic centers, natatoriums and open ceiling environments.

## Configurations

MODEL	OPERATION	LUMENS	DISTRIBUTION	COLOUR TEMP	INPUT	MOUNTING	OPTIONS
BL736LED	HT (AC only)	LO (15,000)	MBD (medium beam)	WT35 <sup>1</sup> (3500K)	120-277V	[blank] (surface mount-std.)	SS <sup>5</sup> (stainless steel hardware)
		HO (24,210)	WBD (wide beam)	WT40 (4000K)	347V		FP (fuse protection)
			ASY (asymmetric)	WT50 <sup>1</sup> (5000K)			SP (5 kV at 10kA surge protection)
							IOS01 (microwave, internal, on/off 120-277 (15' MH)
							EM <sup>6</sup> (90 min emergency backup)
							SRC (shatter resistant coating)

**NOTE<sup>1</sup>:** may be a longer lead time; **NOTE<sup>2</sup>:** PK, SPK options, min 6"; **NOTE<sup>3</sup>:** hook mount configuration requires factory install, **NOTE<sup>4</sup>:** specify length for AC: 50", 72", 150", 250" fully adjustable; **NOTE<sup>5</sup>:** order SS for natatorium applications; **NOTE<sup>6</sup>:** 90 minute run time, remote mounted, not available in 347V **NOTE:** please see below for available accessories (to be ordered as a separate line item).

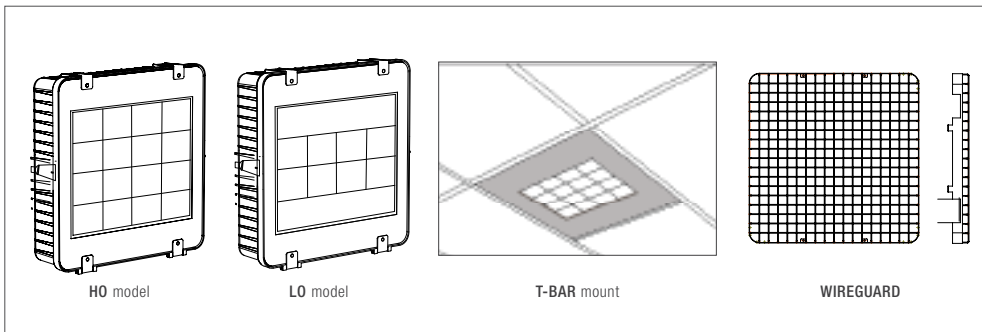
## Pre-Built Inventory

ORDERING CODE	SHORT DESCRIPTION	LONG DESCRIPTION
19000983	BL736LED-HT-LO-WBD-WT40-120-277V	BOXLED BL736LED-HT-LO-WBD-WT40-120-277V

## BoxLED® accessories

ORDER CODE	DESCRIPTION
50001015	wire guard
50001048	t-bar mounting trim
50001041	<sup>2</sup> pendant kit 12"
50001042	<sup>2</sup> pendant kit 18"
50001043	<sup>2</sup> pendant kit 24"
50001044	<sup>2</sup> pendant kit 36"
50001045	<sup>2</sup> pendant kit 48"
SVLPK18	<sup>2</sup> swivel pendant kit 18"
50001046	<sup>2</sup> swivel pendant kit 24"
SVLPK36	<sup>2</sup> swivel pendant kit 36"
SVLPK48	<sup>2</sup> swivel pendant kit 48"
50001053	<sup>4</sup> aviation cable 50"
50001054	<sup>4</sup> aviation cable 72"
50001055	<sup>4</sup> aviation cable 100"
50001056	<sup>4</sup> aviation cable 150"
AC250	<sup>4</sup> aviation cable 250"
HK	<sup>3</sup> hook mount

## Mounting



**HOUSING:**

- Low copper die-cast marine grade aluminum with integrated heat sink
- RAL 7040 grey powder coat finish
- Stainless steel hooks and housing latches
- Durable silicone perimeter gasket

**ELECTRICAL:**

- AC Input: 120-277V, 50-60Hz
- AC Input: 347V, 50-60Hz

**REFLECTOR:**

Parabolic specular polished aluminum reflector offered in wide (70°) and medium (30° x 40°) and asymmetric (70° x 30°) configurations.

**OPERATING TEMPERATURE:**

-30°C to +45°C

**DIMMING:**

0 - 10V dimming to 1% is standard. Compatible with most dimming systems.

**DIFFUSER:**

4mm tempered glass diffuser with microprismatic external surface to reduce glare.

**MOUNTING:**

Surface mount and chain hang configurations are standard with integrated stainless steel mounting brackets and eyelets. Additional mounting systems offered include hook, aviation cable, t-bar and pendant.

**POWER LINE/FEED:**

72" black, 18AWG, 300/600V, 5 conductor cord with 1/2" pre-stripped leads for quick in-field connection.

**SANITATION LISTED:**

Meets all food equipment NSF/ANSI 2 standards. The **BOXLED®** is suitable for use in food equipment environments.

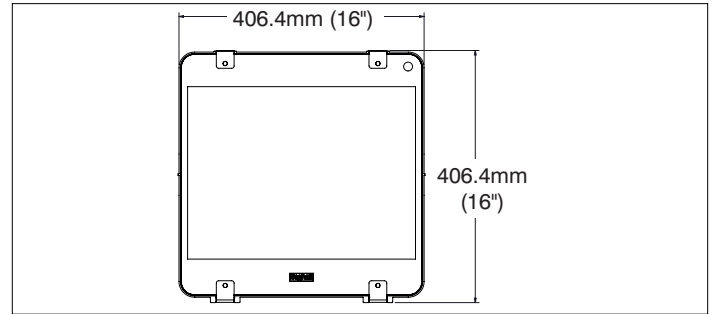
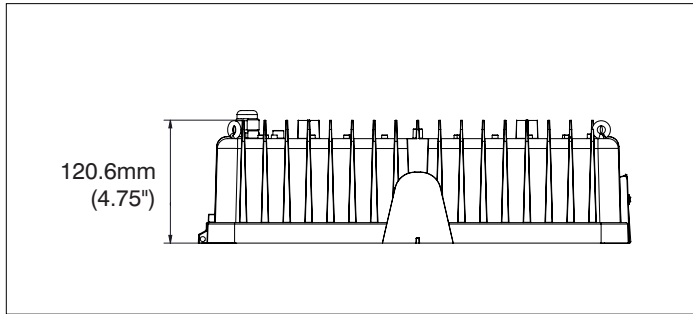
**WARRANTY:**

5 year LED warranty, see website for full warranty details.

**PHOTOBIOLOGICAL HAZARD:**

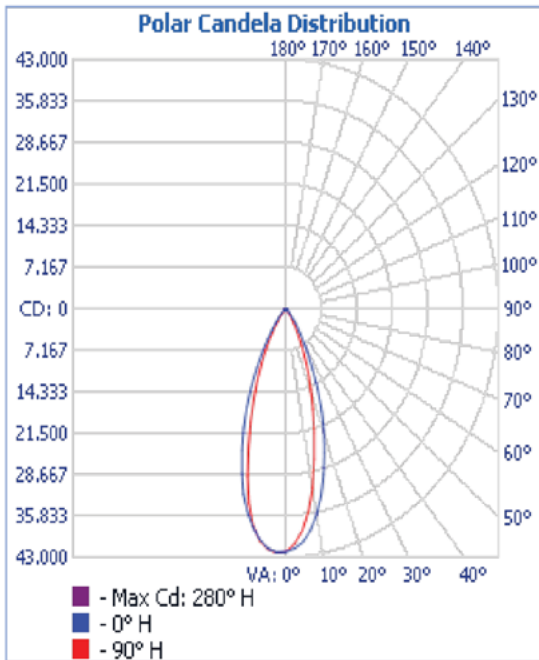
Risk Group 0 (riskfree) rating (EN62471).

**Dimensions**



**BL736LED-HT-HO-MBD-WT40-120-277V**

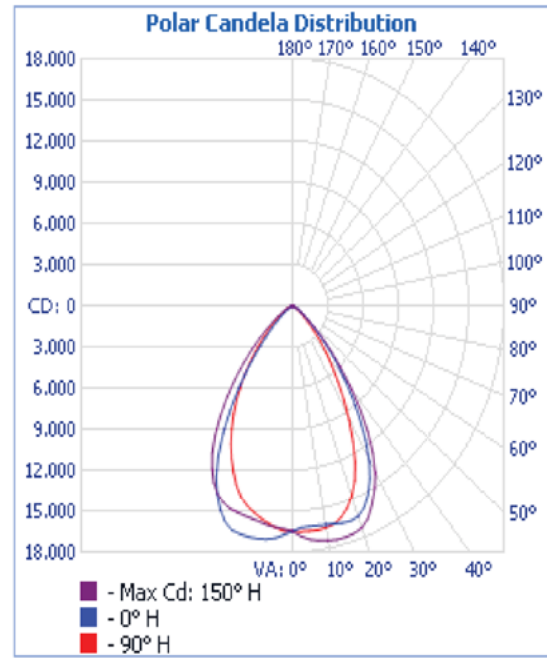
**Luminous Intensity Distribution**



Tested in accordance with IESNA LM-80-08

**BL736LED-HT-HO-WBD-WT40-120-277V**

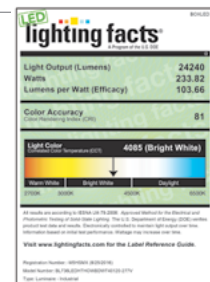
**Luminous Intensity Distribution**



PHOTOMETRIC DATA

**Energy Chart**

MODEL	EFFICACY	WATTAGE	LUMEN OUTPUT	CRI	L80 HOURS
BL736LED-HT-LO-MBD-WT40	100 lm/W	150	15,000	+80	>60,000
BL736LED-HT-LO-WBD-WT40	101 lm/W	150	15,170	+80	>60,000
BL736LED-HT-HO-MBD-WT40	101 lm/W	233	23,710	+80	>60,000
BL736LED-HT-HO-WBD-WT40	103 lm/W	233	24,210	+80	>60,000



**BoxLED®**

