



# AQUA SORTIE

Fiberglass Wet Location Sortie

Project Name: \_\_\_\_\_  
Prepared By: \_\_\_\_\_

Model Number: \_\_\_\_\_  
Date: \_\_\_\_\_

## FEATURES & BENEFITS

- AC Only, Self-Powered or Universal DC
- Heater available for cold environments
- Durable and corrosion-resistant fiberglass
- Fully gasketed NEMA 4X housing
- Surface wall, ceiling or end mounting
- Temperature Range: -10 to +40°C
- AC only and UDC Signs: -20 to +40°C
- Self Powered Sign: +10 to +40°C. With heater option added: -20 to +40°C
- CSA 22.2 No. 141-15 Performance Certified

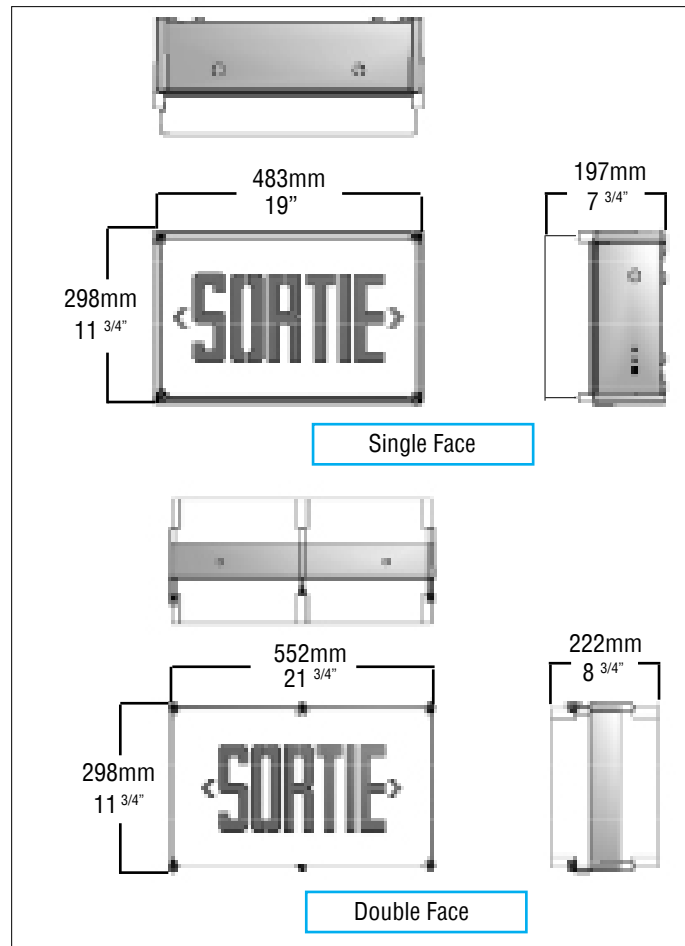
## EXTERNAL SPECIFICATIONS

The AQUA SORTIE housing is constructed from durable, corrosion resistant fiberglass. The NEMA 4X housing is fully gasketed for wet location applications and is supplied standard in a gray finish. Polycarbonate pressure screws firmly hold the polycarbonate lens in place. Wall, ceiling or end mounting configurations are available (ceiling and end mount versions come complete with a factory installed weatherproof steel canopy). Single or double face versions must be specified. The self-powered version comes standard with an external LED status indicator and test switch. Removable chevrons are standard on each sign.

## INTERNAL SPECIFICATIONS

**AC ONLY:** standard 120/347VAC input  
**SELF-POWERED:** Standard self-powered versions use sealed nickel-cadmium batteries to provide minimum 30 minutes of emergency duration. Optional 90 or 120 minute duration battery is available. Solid state charger and transfer. If an AC generator is used to back up the signs, a surge suppression device is recommended to protect the entire emergency circuit.

## DIMENSIONS



## ORDERING GUIDE

AQ-S - - - - -

SERIES	OPERATION	LIGHT SOURCE	LETTER COLOUR	FACE#	CHEVRONS	1 MOUNTING	OPTIONS
AQ-S	Blank (AC only) SP (Self-powered)	L (LED)	R (Red)	1 (Single) 2 (Double)	U (Field adjustable)	W (Wall mount no canopy) C (Ceiling mount factory installed) E (End mount installed)	<sup>2</sup> TD (Time delay - specify 5, 10, 20 mins) WG (Wireguard) SW (Special wording) <sup>2</sup> IH (Internal heater) AT (Auto-test, SP only) BZ (Audible alarm) FL (Visual alarm) <sup>3</sup> 2CK (Dual circuit) 90SP (90 min. battery) 120SP (120 min. battery) UDC (6 - 24VDC) PK (Pendant kit)

NOTES: <sup>1</sup>Mounting must be specified; <sup>2</sup>AC Voltage must be specified; <sup>3</sup>120-277 VAC only