



# AQUA EXIT

Fiberglass Wet Location Exit

Project Name: \_\_\_\_\_ Model Number: \_\_\_\_\_  
 Prepared By: \_\_\_\_\_ Date: \_\_\_\_\_

## FEATURES & BENEFITS

- AC Only, Self-Powered or Universal DC
- Heater available for cold environments
- Durable and corrosion-resistant fiberglass
- Fully gasketed NEMA 4X housing
- Surface wall, ceiling or end mounting
- Temperature Range: -10 to +40°C
- AC only and UDC Signs: -20 to +40°C
- Self Powered Sign: +10 to +40°C. With heater option added: -20 to +40°C
- CSA 22.2 No. 141-15 Performance Certified

## EXTERNAL SPECIFICATIONS

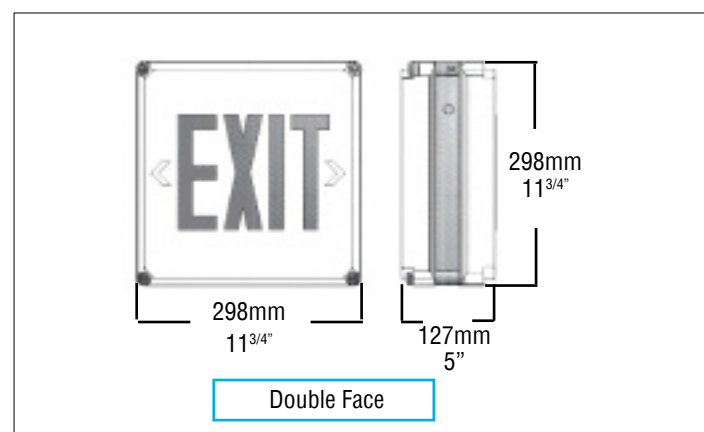
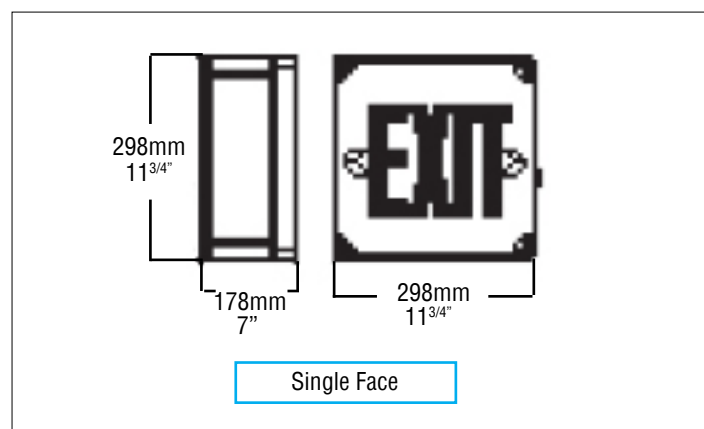
The AQUA housing is constructed from durable, corrosion resistant fiberglass. The NEMA 4X housing is fully gasketed for wet location applications and is supplied standard in a grey finish. Four polycarbonate pressure screws firmly hold the polycarbonate lens in place. Wall, ceiling or end mounting configurations are available (ceiling and end mount versions come complete with a factory installed weatherproof steel canopy). Single or double face versions must be specified. Removable chevrons are standard on each sign. The self-powered version comes standard with an external LED status indicator and test switch.

## INTERNAL SPECIFICATIONS

AC ONLY: standard 120/347VAC input

SELF-POWERED: Standard self-powered versions use sealed nickel-cadmium batteries to provide a minimum 30 minutes of emergency duration. Optional 90 or 120 minute duration battery is available. Solid state charger and transfer. If an AC generator is used to back up the signs, a surge suppression device is recommended to protect the entire emergency circuit.

## DIMENSIONS



## ORDERING GUIDE

SERIES	OPERATION	LIGHT SOURCE	LETTER COLOUR	FACE#	1 MOUNTING	CHEVRONS	OPTIONS
AQ-E (Exit)	Blank (AC only) SP (Self-powered)	L (LED)	R (Red)	1 (Single) 2 (Double)	W (Wall mount no canopy) C (Ceiling mount factory installed) E (End mount installed)	U (Field adjustable)	<sup>2</sup> TD (Time delay - specify 5, 10, 20 mins) WG (Wireguard) SW (Special wording) <sup>2</sup> IH (Internal heater) AT (Auto-test, SP only) UDC (6 - 24VDC) 90SP (90 min. battery) 120SP (120 min. battery) <sup>3</sup> 120VDC (Specify 2/4 wires)

NOTES: <sup>1</sup>Mounting must be specified; <sup>2</sup>AC Voltage must be specified; <sup>3</sup>With 120VAC only