



COLD WET/NEMA 4X

AQUA COMBO RM

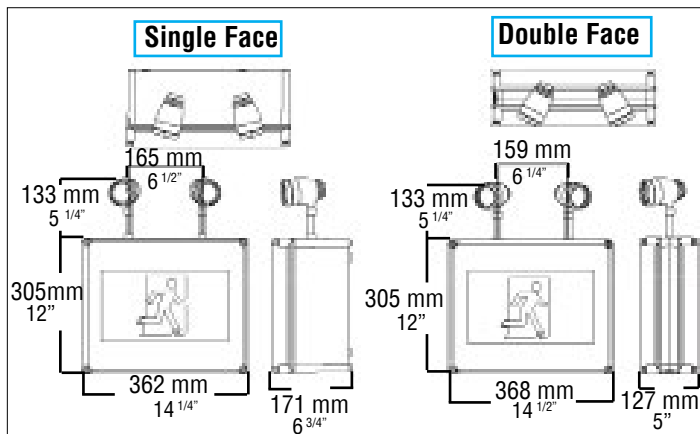
Weatherproof Running Man Combo

Project Name: _____ Model Number: _____
 Prepared By: _____ Date: _____

FEATURES & BENEFITS

- NEMA 4X SEA MR16 heads are standard
- Durable and corrosion-resistant fiberglass
- Fully gasketed NEMA 4X housing
- Heater available for cold environments
- Solid state transfer technology
- Temperature Rating: +10 to +40°C, with heater option added: -20°C to +40°C
- CSA 22.2 No. 141-15 Performance Certified

DIMENSIONS



LAMP SELECTION	6V	12V	24V
Composite Tungsten	9W	9, 12, 18W	9, 18W
Quartz (Q)	12W	12, 20 (55W PAR36 only)	N/A
LED-MR16	5, 7W	2, 5, 7W	5, 7W
MR16	N/A	50W	N/A
TESTA ^{2,3}	N/A	5, 9, 14, 30W	5, 9, 14, 30W
Sealed Beam LED (PAR36 only)	N/A	6W	6W

¹MR16 not available in SR head; ²12-24V; ³ voids NSF certification.

ORDERING GUIDE

AQ-RM - - - - -

SERIES	WATTS	LIGHT SOURCE	FACE#	PICTOGRAM	¹ MOUNTING	HEADS	OPTIONS
AQ-RM	See model rating guide	L (LED)	1 (Single) ² 2 (Double)	OLR (Universal pictograms) 0 (No indicators) L (Left indicator) R (Right indicator) D (Down indicator) U (Up indicator) UR (45° up right) DR (45° down right) UL (45° up left) DL (45° down left)	W (Wall mount no canopy) C (Ceiling mount factory installed) E (End mount factory installed)	0 (None) 1SEA (one MR16 head) 2SEA (two MR16 heads) 1TESSQ (One head, HO) 2TESSQ (Two heads, HO) 1LRWP (One head) 2LRWP (Two heads)	² TD (10 min. time delay) WG (Wireguard) ³ IH (Internal heater) SM (Side mount heads) AT (Auto-test) PK12 (Pendant kit) FAI (Fire alarm interface - specify) SW-OL (RM no indicator, left)

NOTE: ¹Mounting must be specified; ²AC Voltage must be specified; ³Two pictograms or OLR must be ordered - specify; ⁴With 120VAC only

EXTERNAL SPECIFICATIONS

The AQUA housing is constructed from durable, corrosion resistant fiberglass. The NEMA 4X housing is fully gasketed for wet location applications and is supplied standard in a grey finish. Four polycarbonate pressure screws firmly hold the polycarbonate lens in place. Wall, ceiling or end mounting configurations are available (ceiling and end mount versions come complete with a factory installed weatherproof steel canopy). Single or double face versions must be specified. A push button test switch allows maintenance personnel to quickly determine the status of the sign and lamp load on AC fail.

INTERNAL SPECIFICATIONS

Standard versions use sealed lead acid batteries to provide a minimum 30 minutes of emergency duration. Solid state charger and transfer.

BATTERY TECHNOLOGY

Designed with a maintenance free, valve regulated sealed lead-acid battery providing emergency lighting duration of 30 minutes. Recharge time of the battery is 24 hours.

UNIVERSAL PICTOGRAMS

The OLR (Universal) option includes: a pictogram with no directional indicators, a pictogram with a left facing directional indicator and a pictogram with a right facing directional indicator.

MODEL RATING GUIDE

MODEL	VOLTAGE (OUTPUT)	WATTAGE RATING	
		30MIN	120MIN
AQ-RM-6-36	6	36	10
AQ-RM-6-50	6	50	15
AQ-RM-6-80	6	80	24
AQ-RM-12-36	12	36	10
AQ-RM-12-72	12	72	22
¹ AQ-RM-12-90	12	90	27
¹ AQ-RM-12-150	12	150	45
¹ AQ-RM-24-144	24	144	43

NOTE: ¹Single face only

