



NOVA ECO

6 & 12V Steel Battery Units

Project Name: _____ Model Number: _____
 Prepared By: _____ Date: _____

FEATURES & BENEFITS

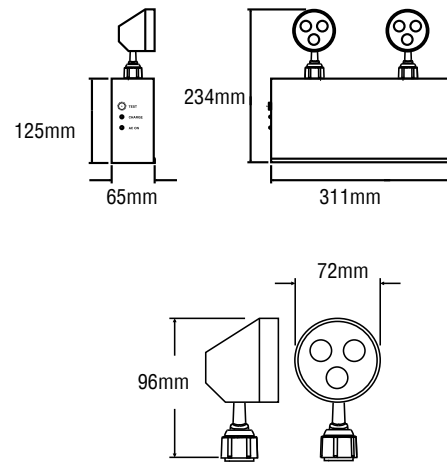
- Universal mounting plate for effortless installation
- 2W, 2.5W, 3W LED
- Input voltage: 120 or 347 VAC
- 20 gauge steel cabinet
- 120VAC removable line cord is supplied standard
- 6V 27W capacity (4+ hours, 2W x 2)
- 6V 36W capacity (4+ hour, 2W x 2)
- 12V 72W capacity (8+ hours, 2.5W x 2)
- Utilizes an efficient one stage charger providing precise float voltage control with low voltage disconnect
- CSA 22.2 No. 141-15 Performance Certified

BATTERY TECHNOLOGY

Designed with a maintenance free, sealed valve regulated lead acid battery that provides a minimum emergency duration of 30 minutes (for the listed rating). Recharge time of the battery is twenty-four [24] hours. The maximum battery operating temperature is +25°C and the minimum is +10°C.

DIMENSIONS

(6V 27W | 36W) (12V 72W)



LAMP SELECTION	LED MODULE
6V	2, 3W LED
12V	2.5, 3W LED

MODEL RATING GUIDE

MODEL	WATTAGE RATING		
	30MIN	90MIN	120MIN
NVE-627	27	10	8
NVE-636	36	12	9
NVE-1272	72	24	18

ORDERING GUIDE

NVE - - - - -

SERIES	OPERATION	CAPACITY (W)	HEADS	LAMP TYPE	OPTIONS
NVE	6 (Volt DC) 12 (Volt DC)	See model rating guide	2SRE (Plastic, 2 heads)	See lamp selection	E (120/277V Input)

PRE-BUILT INVENTORY

ORDERING CODE	SHORT DESCRIPTION	LONG DESCRIPTION
11503594	NVE-627-2SRE-2WLED	NOVA ECO UNIT 6V 27W 2 SRE 2W LED HEADS 120/347V INPUT
11503595	NVE-627-2SRE-3WLED	NOVA ECO UNIT 6V 27W 2 SRE 3W LED HEADS 120/347V INPUT
11503489	NVE-636-2SRE-2WLED	NOVA ECO UNIT 6V 36W 2 SRE 2W LED HEADS 120/347V INPUT
11503490	NVE-636-2SRE-3WLED	NOVA ECO UNIT 6V 36W 2 SRE 3W LED HEADS 120/347V INPUT