



INTERNO LED

Retracted Recessed



Interno LED - not in Emergency Mode

Project Name: _____ Model Number: _____
 Prepared By: _____ Date: _____

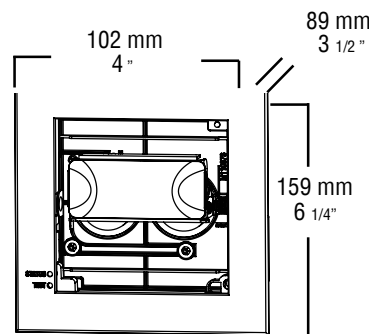
FEATURES & BENEFITS

- Clean, concealed and unobtrusive lighting solution
- Up to 55' spacing on centre
- Fully adjustable mounting hardware suits virtually all mounting applications
- Lamps retract when not in Emergency mode
- 3 x 3W high output LEDs / LED color temperature is 5000k
- Configured with field selectable 120 or 277 VAC 60 Hz input
- Designed to be fully recessed into a drop ceiling, standard ceiling or wall
- Patented unidirectional deflecting drive band operation provides limited mechanical movement ensuring trouble free operation
- CSA 22.2 No. 141-10 Performance Certified

BATTERY TECHNOLOGY

Environmentally friendly, maintenance free Nickel Metal Hydride batteries provide standard run time 90mins. The working temperature is from 10°C to 40° C.

DIMENSIONS



LED TECHNOLOGY

Comes standard with three concealed 3W LEDs. The LEDs provide 561 absolute lumens on a 70° adjustable light-bar providing up to 55' spacing on center. Custom designed refractor lens provides optimum light distribution.

ORDERING GUIDE

INT-LED2 -

SERIES	OPTIONS
INT-LED2	P (Less Pre-shipped back box) *BLUC-576400003 / A990287 TD (Time delay - 15 mins) CC (Custom Colour) IRT (Infra-red remote handheld transmitter)

RECOMMENDED CENTER TO CENTER UNIT SPACING - WALL MOUNT

WALL MOUNT - CORRIDOR LIGHTING				WALL MOUNT - 200' X 200' OPEN ROOM			
CEILING HEIGHT	LUMINAIRE MOUNTING HEIGHT	4' PATH LUMINAIRE SPACING	6' PATH LUMINAIRE SPACING	CEILING HEIGHT	LUMINAIRE MOUNTING HEIGHT	4' PATH LUMINAIRE SPACING	6' PATH LUMINAIRE SPACING
9'	7'	55'	52.5'	9'	7'	50'	47'
10'	8'	50'	50'	10'	8'	42.5'	42.5'
12'	10'	45'	40'	12'	10'	35'	35'
14'	12'	35'	35'	14'	12'	27.5'	27.5'
16'	14'	30'	30'	16'	14'	22.5'	22.5'

RECOMMENDED CENTER TO CENTER UNIT SPACING - CEILING MOUNT

CEILING MOUNT - CORRIDOR LIGHTING				CEILING MOUNT - 200' X 200' OPEN ROOM			
CEILING HEIGHT	LUMINAIRE MOUNTING HEIGHT	4' PATH LUMINAIRE SPACING	6' PATH LUMINAIRE SPACING	CEILING HEIGHT	LUMINAIRE MOUNTING HEIGHT	4' PATH LUMINAIRE SPACING	6' PATH LUMINAIRE SPACING
8'	8'	55'	52.5'	8'	8'	42.5'	42.5'
9'	9'	50'	47.5'	9'	9'	37.5'	37.5'
10'	10'	45'	45'	10'	10'	32.5'	32.5'
12'	12'	35'	35'	12'	12'	27.5'	27.5'
14'	14'	30'	30'	14'	14'	20'	20'

Recommended spacings based on requirements for meeting the Life Safety Standard minimum illuminance of 0.1 fc and average illuminance of 1.0 fc. Assumes that the fixture is mounted in open room 200 ft. wide and 200 ft. long with reflectance of 80/50/20 over 4 ft. path of egress.

Note: Recommended spacings calculated from laboratory data taken under controlled conditions in accordance with I.E.S. approved methods. Actual performance results will vary due to field conditions.



INTERNO LED

Retracted Recessed



Interno LED - not in Emergency Mode

PRE-BUILT INVENTORY

ORDERING CODE	SHORT DESCRIPTION	LONG DESCRIPTION
19000908	INT-LED2-P	RECESSED EM LIGHT, NICKEL METAL HYDRIDE BATTERY, WHITE STANDARD, LESS BBX
19000909	INT-LED2	RECESSED EM LIGHT, NICKEL METAL HYDRIDE BATTERY, WHITE STANDARD, COMPLETE UNIT