



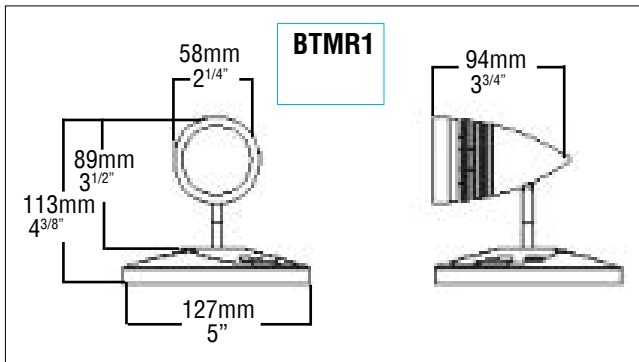
BTMR MR16

Die-cast MR16 Remote Head

Project Name: _____ Model Number: _____
 Prepared By: _____ Date: _____

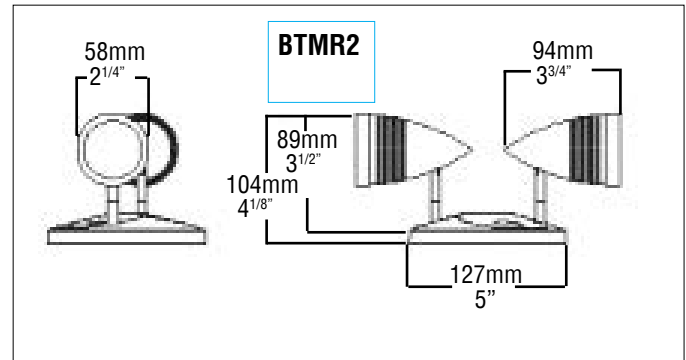
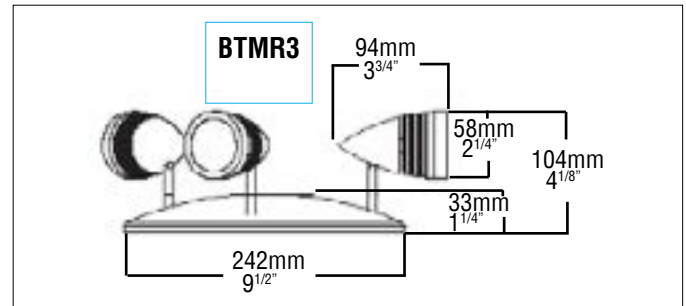
FEATURES & BENEFITS

- Die-cast aluminum head
- White painted steel canopy
- MR16 halogen or LED lamps up to 50W
- Matching canopy to fit standard junction boxes
- Operating temperature: -20°C to +40°C
- CSA 22.2 No. 141-15 Performance Certified



LAMP SELECTION	6V	12V	24V
LED-MR16	5, 7W	2, 5, 7W	5, 7W
MR16	N/A	20, 35, 50W	N/A

DIMENSIONS



ORDERING GUIDE

BTMR -

SERIES	VOLTAGE	OPTIONS
BTMR1 (Single head) BTMR2 (Double head) BTMR3 (Triple head)	See Lamp Selection	BLK (Black remote and canopy) LC (Less canopy)

PRE-BUILT INVENTORY

ORDERING CODE	SHORT DESCRIPTION	LONG DESCRIPTION
13065082	BTMR1-12V5WLED	SINGLE MR16 SURFACE EMERGENCY WHITE REMOTE 12V 5W LED MR16 LAMP
13065081	BTMR1-12V7WLED	SINGLE SURFACE EMERGENCY REMOTE 12V 7W LED MR16 QUARTZ LAMP WHITE FINISH
13065089	BTMR1-24V5WLED	SINGLE EMERGENCY LIGHT REMOTE 24V 5W LED MR16 LAMP WHITE FINISH
13065094	BTMR1-24V7WLED	SINGLE EMERGENCY LIGHT REMOTE 24V 7W LED MR16 LAMP WHITE FINISH
13065078	BTMR2-12V5WLED	DOUBLE SURFACE EMERGENCY REMOTE 12V 5W LED MR16 LAMPS WHITE FINISH
13065075	BTMR2-12V7WLED	DOUBLE SURFACE EMERGENCY REMOTE 12V 7W LED MR16 QUARTZ LAMPS WHITE FINISH
13065077	BTMR2-24V5WLED	DOUBLE EMERGENCY LIGHT REMOTE 24V 5W LED MR16 LAMPS WHITE FINISH
13065087	BTMR2-24V7WLED	DOUBLE MR16 SURFACE EMERGENCY WHITE REMOTE 24V 7W LED MR16 LAMPS